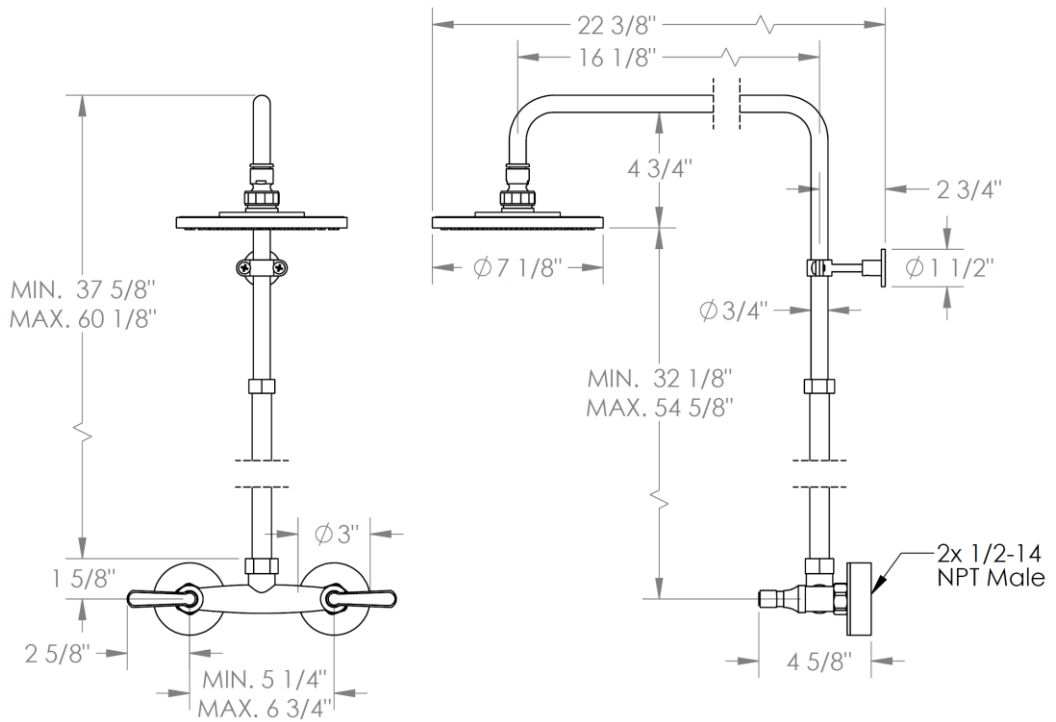
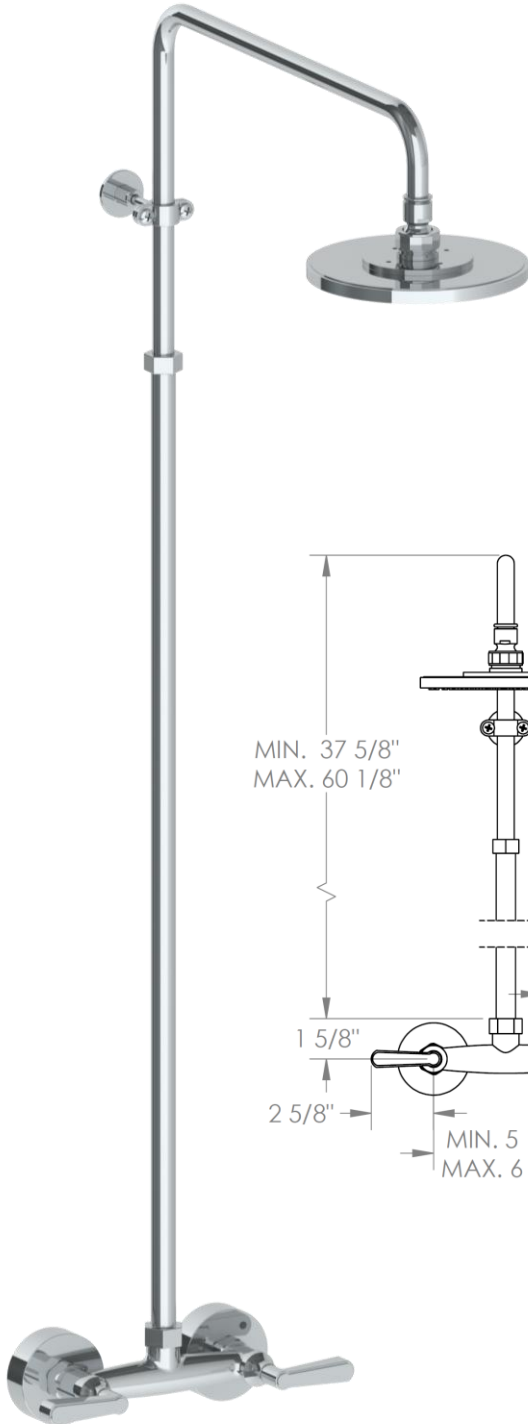


30-6.1-

Wall Mounted Exposed Shower

Flow Rate: 1.75 GPM

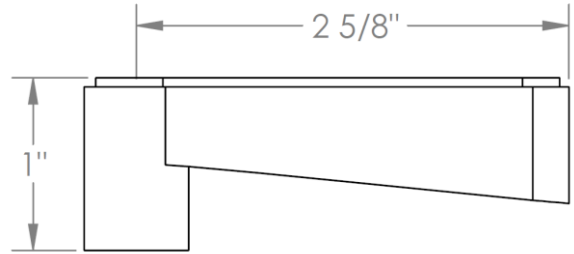
Note: Some building codes require remote pressure balance valves for anti-scald



Meets the applicable requirements of ASME A112.18.1-2005/CSA B125.1-05, entitled "Plumbing Supply Fittings"

HANDLE TRIM OPTIONS

TR24 – NORWOOD



TR25 - UNION

