

NUOR00000000 orinatoio/urinal

codice  
code



Orinatoio Nuvola senza fori.  
Nuvola Urinal without holes for cover.

biancolucido/ shiny white

NUOR00000000BI

Orinatoio Nuvola con fori copriorinatoio.  
Nuvola Urinal with holes for cover.

biancolucido/shiny white

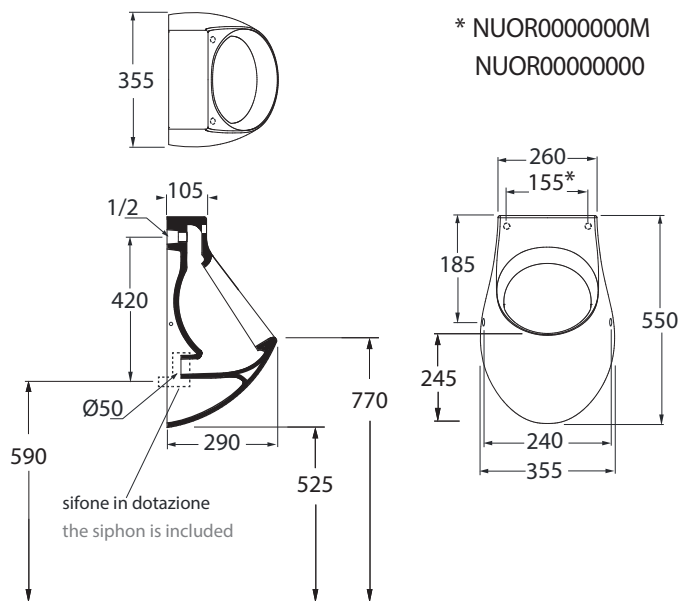
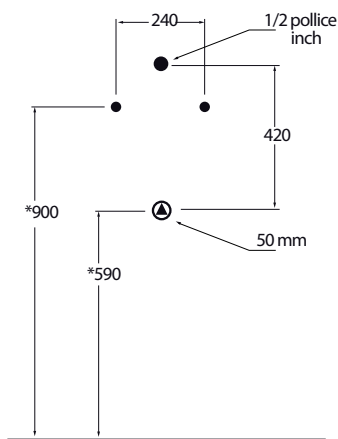
NUOR00000000MBI

CM 35,5x29xh 55

plt italy pz.12 - plt export pcs.20

kg 16

Pre-installazione



\* NUOR0000000M  
NUOR00000000

scala/scale 1:20 dimensioni/dimensions in mm

COLORS 1250°

CT

cotone  
cotton

Complementi/complements:

: Codice  
: code



Copriorinatoio  
Cover urinal

bianco lucido/ shiny white

NUV 1800/CR



Copriorinatoio chiusura frizionata  
Soft close cover urinal

bianco lucido/ shiny white

NUV 1800/ORF

Orinatoio non adatto a sistemi di risciacquo con cassetta.  
Urinal not usable with flushing system with tank.

|   |                                  |  |  |                         |
|---|----------------------------------|--|--|-------------------------|
| TECHNICAL SHEET n°: <b>01</b>   | DESIGNER: <b>ANGELETTI RUZZA</b> | CODE: <b>NUOR00000000 / NUOR0000000M</b> | Azzurra sanitari in ceramica S.p.a.<br>via Civita Castellana snc 01030<br>Castel S.Elia (VT) - ITALY<br>Tel. +39.0761 518155<br>Fax. +39.0761 514560 |                         |
| SHEET FORMAT: <b>A4</b>   | ISO                              | REVISION: <b>02</b>                      | SCALE: <b>1:20</b>   | DATE: <b>29/07/2019</b> |
| REGULATIONS: <b>CE EN 13407 / EN80 / Dop-13407 *</b>                                      |                                  |  |  |                         |
| All the measurements respect the tolerances provided by the "AZZURRA QUALITY GUIDELINES". |                                  |  |  |                         |



\* Regulations here shown are exclusively referred to ceramic items