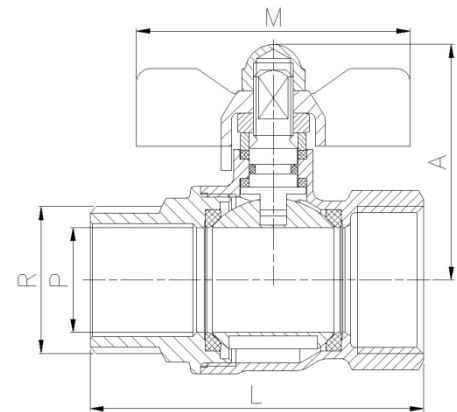
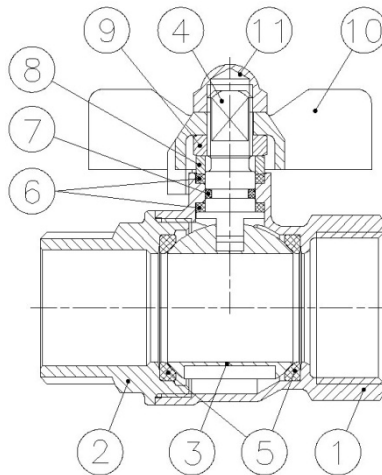


## Art.: 3036

### Válvula de esfera accionamiento mariposa / Brass ball valve butterfly handle

| Características  | Features  |
|--|---|
| 1. Válvula esfera con paso total.  | 1. Ball valve with full bore.   |
| 2. Construcción en latón s/ UNE-EN 12165 cromado.                                    | 2. Brass construction acc/ to UNE-EN 12165 chrome plated.                               |
| 3. Extremos rosca gas (BSP) macho-hembra s/ ISO 228/1.                               | 3. Threaded male-female ends gas (BSP) acc/ ISO 228/1.                                  |
| 4. Accionamiento mediante palomilla de aluminio. (Color azul - indicador agua fría). | 4. Working by means of aluminium butterfly handle. (Blue colour - cold water indicator) |
| 5. Temperatura de trabajo desde -20°C a 110°C.                                       | 5. Working temperature from -20°C to 110°C.   |
| 6. Presión máxima de trabajo 25 bar (PN 25).   | 6. Maximum working pressure 25 bar (PN 25).   |
| 7. Asientos PTFE.  | 7. PTFE Seats.  |



| Nº | Denominación / Name         | Material               | Acabado Superficial / Surface Treatment |
|----|-----------------------------|------------------------|---|
| 1  | Cuerpo / Body               | Latón / Brass (CW617N) | Granallado + Cromado / Peened + Chromed |
| 2  | Tapa / Cap                  | Latón / Brass (CW617N) | Granallado + Cromado / Peened + Chromed |
| 3  | Esfera / Ball               | Latón / Brass (CW617N) | Cromado / Chrome plated                 |
| 4  | Eje / Stem                  | Latón / Brass (CW617N) | Cromado / Chrome plated                 |
| 5  | Asientos / Ball seats       | PTFE                   | -                                       |
| 6  | Anillo junta / Stem packing | PTFE                   | -                                       |
| 7  | Junat tórica / O-Ring       | NBR                    | -                                       |
| 8  | Anillo prensa / Stem ring   | Latón / Brass          | Cromado / Chrome plated                 |
| 9  | Tuerca / Nut                | Latón / Brass          | Cromado / Chrome plated                 |
| 10 | Maneta / T-Handle           | Aluminio / Aluminium   | Pintado / Painted                       |
| 11 | Tuerca / Nut                | Latón / Brass          | Cromado / Chrome plated                 |

| Ref.    | Medida / Size R | DN | Dimensiones / Dimensions (mm) |    |    |    | Peso / Weight (Kg) |
|---------|-----------------|----|-------------------------------|----|----|----|--------------------|
|         |                 |    | P                             | A  | L  | M  |                    |
| 3036 02 | 1/4"            | 10 | 10                            | 38 | 48 | 50 | 0,100              |
| 3036 03 | 3/8"            | 10 | 10                            | 38 | 49 | 50 | 0,105              |
| 3036 04 | 1/2"            | 15 | 14                            | 40 | 56 | 50 | 0,150              |
| 3036 05 | 3/4"            | 20 | 19                            | 50 | 64 | 62 | 0,250              |
| 3036 06 | 1"              | 25 | 24                            | 53 | 76 | 62 | 0,380              |

## DIAGRAMA PÉRDIDA DE CARGA / HEAD LOSS CHART

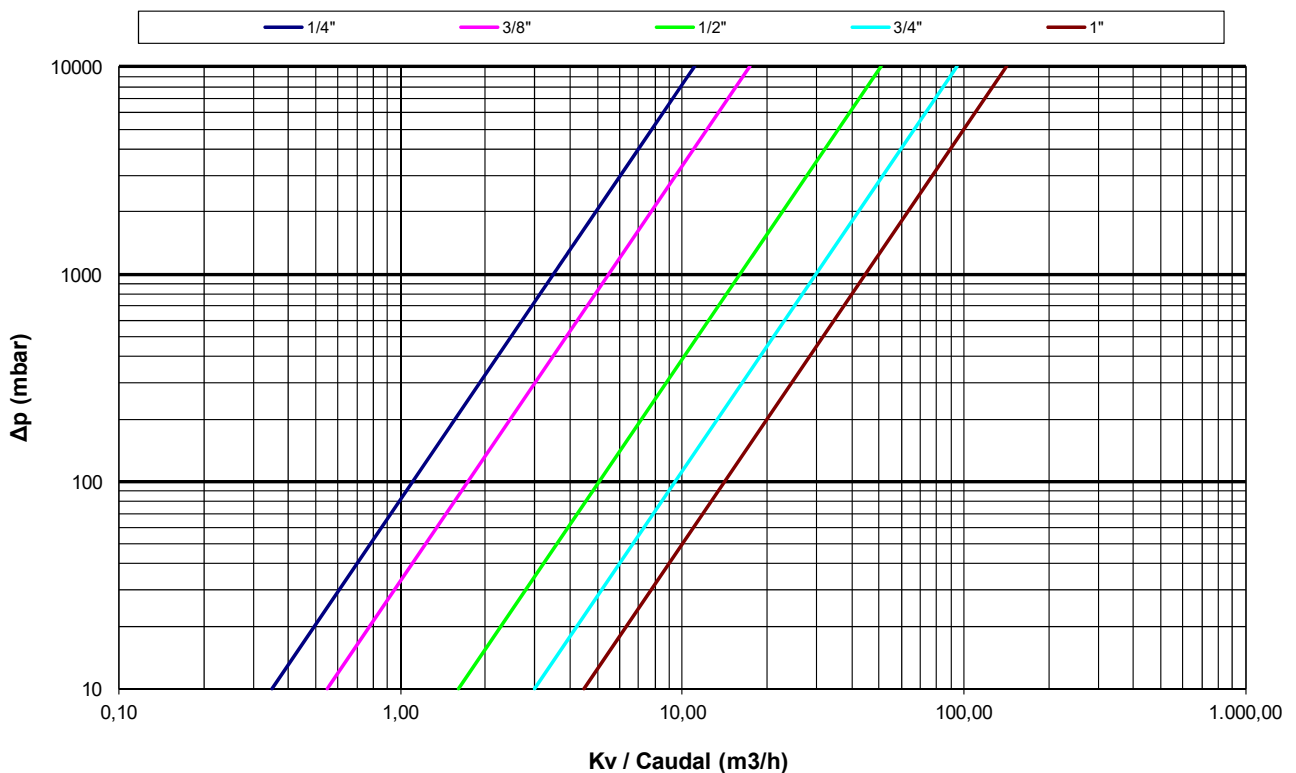
(Válvulas paso total roscadas / Threaded ends full bore ball valves)

Valores de Kv / Kv Values:

**Kv** = Es la cantidad de metros cúbicos por hora que pasará a través de la válvula generando una pérdida de carga de 1 bar.

**Kv** = The flow rate of water in cubic meters per hour that will generate a pressure drop of 1 bar across the valve.

| Medida / Size | 1/4" | 3/8" | 1/2" | 3/4" | 1" |
|---------------|------|------|------|------|----|
| Kv            | 3.5  | 5.5  | 16   | 30   | 45 |



## CURVA PRESIÓN - TEMPERATURA / PRESSURE - TEMPERATURE RATING

