

Features

- Single-speed whirlpool offers performance and value, with 6 fully adjustable jets.
- Hydromassage flow and direction can be controlled at each jet.
- Molded lumbar support and armrests offer extra comfort while bathing.
- Oval-shaped basin creates a graceful and spacious bathing experience.
- Integral flange helps prevent water from seeping behind wall and simplifies alcove installation.

Material

- Acrylic.

Hydrotherapy

- Whirlpool.

Installation

- Right drain.
- Alcove.

Recommended Products/Accessories

K-1284 Removable Apron
K-24916 Wireless Music Kit
K-23726 Drain treatment
K-23732 Tub & shower cleaner
K-37380 30" Rough-in Cable Bath Drain
K-37383 Rough-in cable bath drain, PVC, 30" cable with tubing
K-7265 Clearflo Bath Drain
K-37386 rough-in cable drain, PVC, 30" cable
K-7213 27" Cable Bath Drain
K-7166-AF Bath Drain
K-7161-AF 1-1/2" adjustable pop-up drain above- or through-floor
K-7214 27" Cable Bath Drain
K-7259 Clearflo Bath Drain



Codes/Standards

ASME A112.19.7/CSA B45.10
CSA B45.5/IAPMO Z124
UL 1795

KOHLER® Plastic Baths and Receptors Lifetime Limited Warranty




KOHLER® Hydrotherapy Components Five-Year Limited Warranty

See website for detailed warranty information.

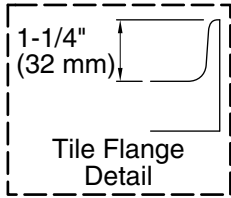
Available Colors/Finishes

Color tiles intended for reference only.

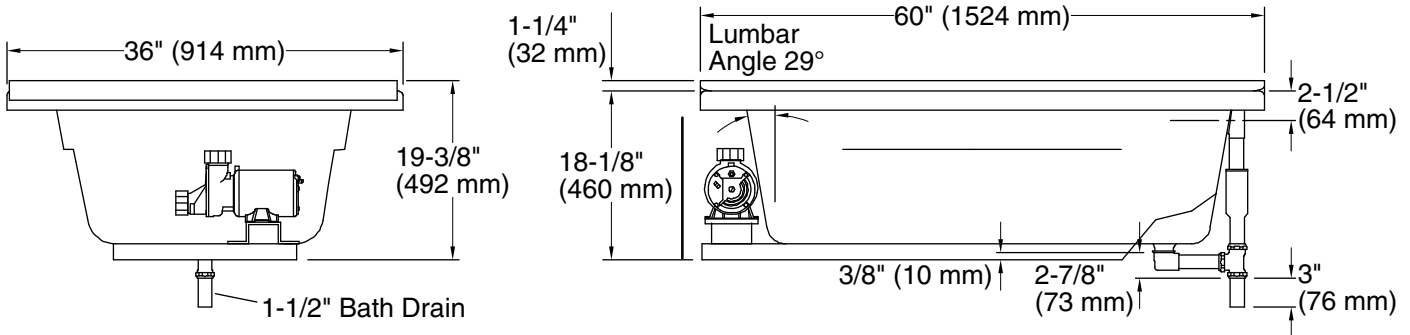
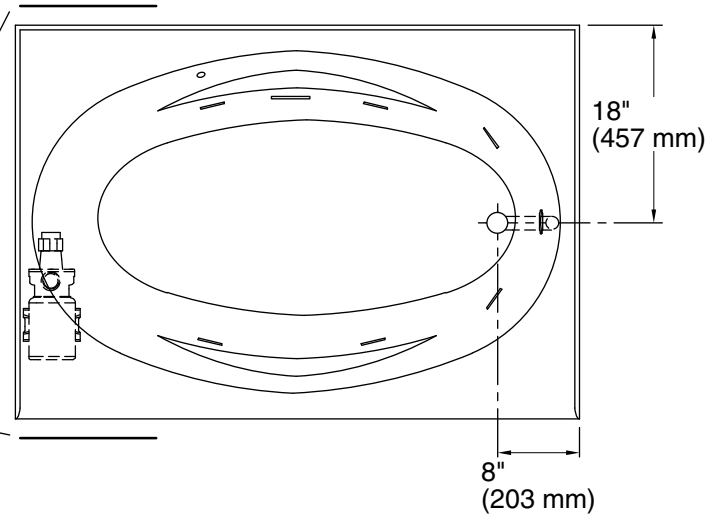
| Color | Code | Description |
|-------|------|-------------|
|-------|------|-------------|

| | | |
|--|----|---------|
|  | 0 | White |
|  | 96 | Biscuit |
|  | 47 | Almond |

No change in measurements if connected with drain illustrated. (K-11677)



Pump/Control Access
(If Apron is Not Used)
20" (508 mm) W x 15" (381 mm) H



Required Electrical Service

One dedicated circuit required, protected with Class A Ground-Fault Circuit-Interrupter (GFCI). Outside North America, this device may be known as a Residual Current Device (RCD).

Pump: 120 V, 15 A, 60 Hz

Technical Information

All product dimensions are nominal.

| | |
|------------------------------|---|
| Installation: | Three-wall alcove |
| Drain location: | Right |
| Basin area, bottom: | 46" x 23" (1168 mm x 584 mm) |
| Basin area, top: | 55" x 25" (1397 mm x 635 mm) |
| Weight: | 55 lbs (24.9 kg) |
| Minimum floor load: | 37 lbs/ft ² (180.6 kg/m ²) |
| Water depth: | 14" (356 mm) |
| Water capacity: | 57 gal (215.8 L) |
| Cutout: | Drop-in, 58-1/2" x 34-1/2" (1486 mm x 876 mm) |
| Electrical component rating: | Pump: 120 V, 7.5 A, 60 Hz |
| Pump speed: | Single |
| Minimum flat for door: | 2-3/4" (69 mm) |

Notes

Measure your actual product for rough-in details. Install this product according to the installation instructions.

The hot water supply should be 70% of the capacity of the bath or greater. Installations will vary.