

HENRY

Henry One Hole Bidet Fitting with Cross Handles

HNBF01



SHOWN IN HENRY ONE HOLE BIDET FITTING WITH CROSS HANDLES| HNBF01

TECHNICAL DETAILS

Adjustable versus Fixed Spray: Fixed Spray
Deck Thickness Maximum: 1 5/8"
Drain Depth Maximum: 1 7/8"
Drain Hole Diameter: 1 3/4"
Drain Style: Pop-up
Fittings Hole Diameter: 1 1/4"
Handle Turn Angle: Quarter Turn
Depth / Width: 5 1/16"
Drain Depth Minimum: 1 1/2"
Height: 3 3/4"
Inlet Connection Size: 3/8"
Inlet Connection Type: O.D. Supply Tubing
Installation Type: Deck Mounted
Length: 7 13/16"
Number of Handles: Two
Number of Holes: One Hole
Pivot: Y
Spout Swivel: N
Valve Material: Ceramic
Water Pressure Maximum: 85.0 psi
Water Pressure Minimum: 20.0 psi
Water Pressure Recommended: 45.0 psi

INSPIRATION

Influenced by the connection of industry and art Henry easily transitions between modern, traditional, utilitarian and classic settings.

PRODUCT FEATURES

Brass metal is used for all trim and valve components.

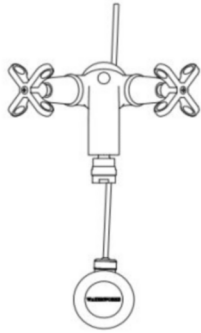
The manufacturing process encompasses casting, turning, forging, hand-fitting and hand polishing.

Solidly sized and generous in scale, decorative elements convey a sense of substance.

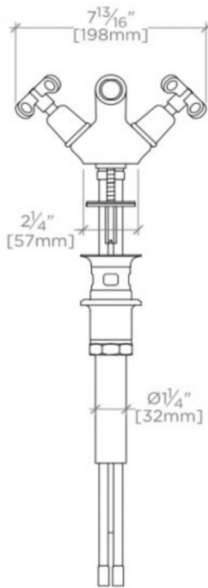
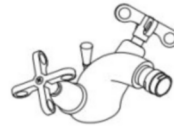
HENRY

HNBF01

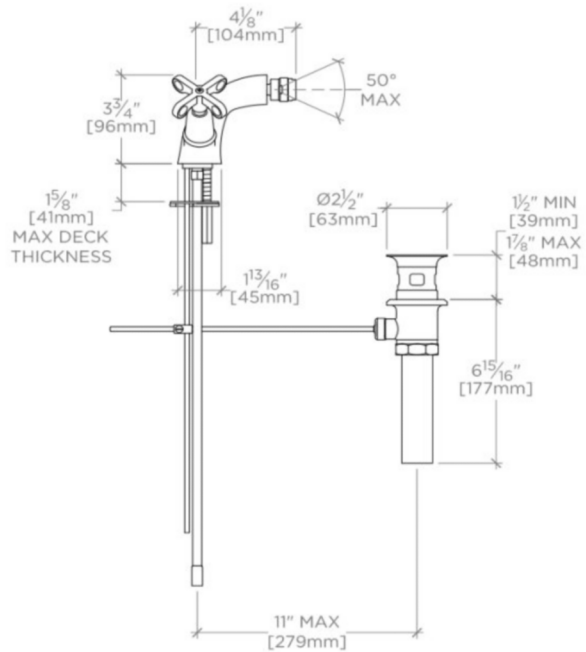
Henry One Hole Bidet Fitting with Cross Handles



TOP VIEW SCALE: 1/2"=1'-0"



FRONT VIEW SCALE: 1/2"=1'-0"



FRONT VIEW SCALE: 1/2"=1'-0"