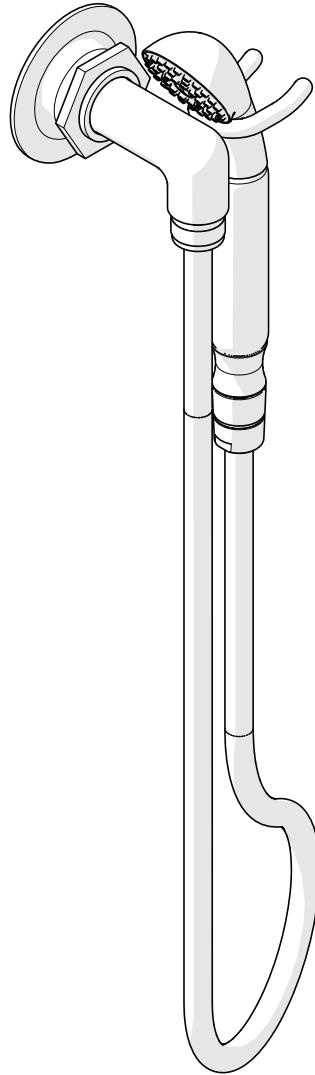




ESTB. 1978

WATERWORKS SERVICE PARTS



STYLE HNHS01

Henry Handshower On Hook with Metal Handle

WELCOME TO

WATERWORKS

For over three decades, Waterworks has transformed the bath through an absolute commitment to design authenticity, innovation and quality. A blend of scholarly appreciation and applied experience guarantees mechanical integrity, meticulous craftsmanship, and timeless designs.

**TO ORDER PARTS CALL
1 (800) 927-2120 (EXT 2)**

Order by part number and specify color, finish, or other options if required.

PRODUCT SUPPORT

Our Product Support team provides troubleshooting and technical problem resolution, including replacement parts and installation recommendations throughout the life of your product.

Product Support is available Monday through Friday, 8AM-6PM EST.

**LIMITED LIFETIME
WARRANTY**

Our warranty covers repair and replacement of Waterworks products if within the applicable coverage period and deemed defective by Waterworks. Waterworks will, at its option, repair or replace such products; this does not include installation costs, labor charges, or other incidental or consequential costs.

To obtain your complete warranty or inquire about warranty service, please visit us at www.waterworks.com or contact our Product Support Team.



ESTB. 1978

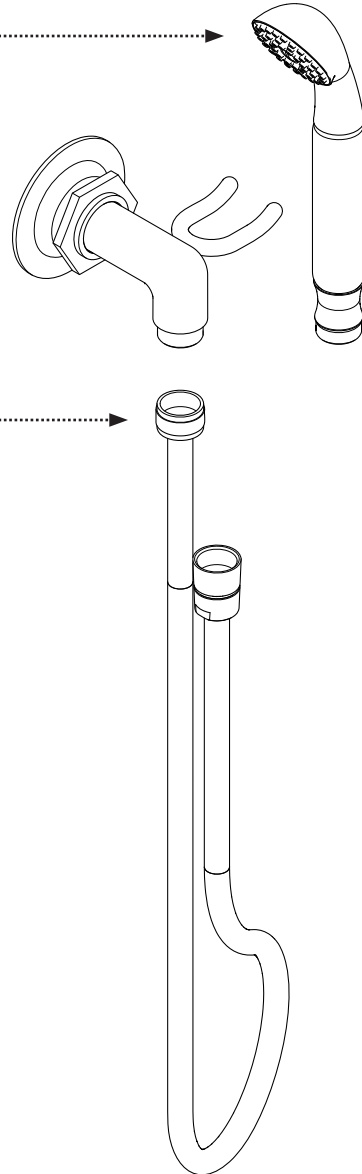
WATERWORKS

MAIN KITS

103675*
SPRAY

103748*
HANDSHOWER ELBOW

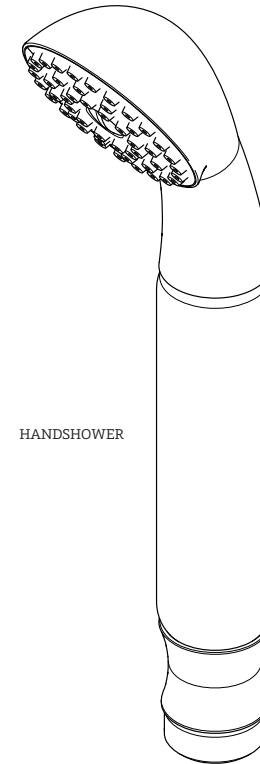
103548*
HANDSHOWER HOSE



STYLES: HNHS01

*FINISH/COLOR MUST BE SPECIFIED WHEN ORDERING
++SUPPLIED AS A PAIR

KIT COMPONENTS



HANDSHOWER

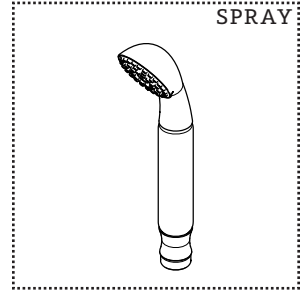
FLOW REGULATING
CHECK VALVE



CLIP



103675*
SPRAY



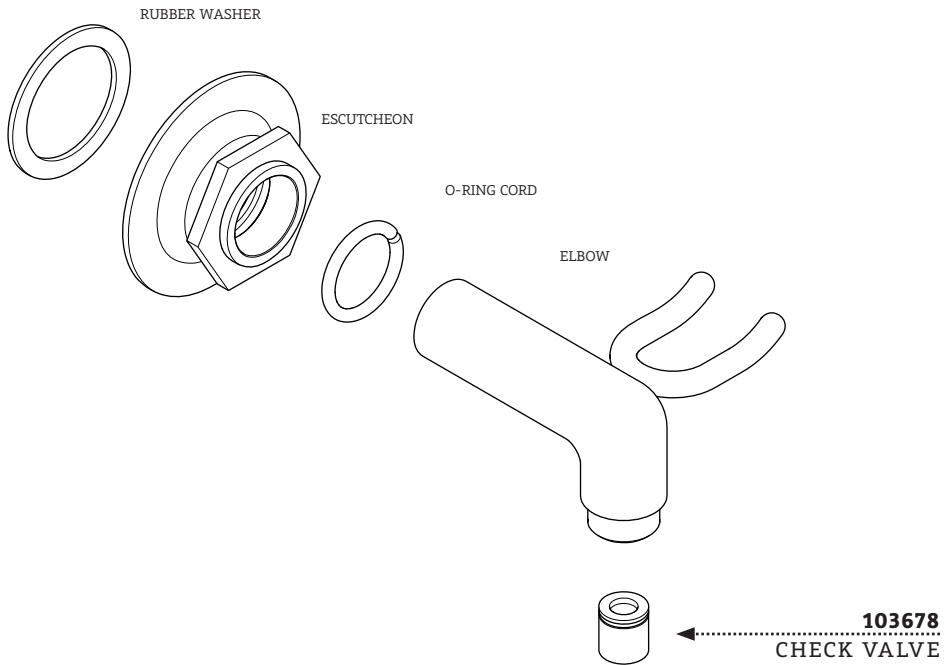


ESTB. 1978

WATERWORKS

KIT COMPONENTS

STYLES: HNHS01



*FINISH/COLOR MUST BE SPECIFIED WHEN ORDERING
++SUPPLIED AS A PAIR

SERVICE PARTS INDEX

<u>STYLE</u>	<u>DESCRIPTION</u>	<u>PG</u>
103678	CHECK VALVE	4
103748*	HANDSHOWER ELBOW	4
103548*	HANDSHOWER HOSE	2
103675*	SPRAY	3



ESTB. 1978

WATERWORKS

PRODUCT SUPPORT

60 BACKUS AVENUE
DANBURY, CT 06810

1 (800) 927-2120 (EXT 2)

WWW.WATERWORKS.COM