

**Safety Instructions**

0, 1, 2, 4, 5b, 7, 8, 9, 11, 12, 15, 16, 17, 19, 20, 21, 23, 25, 29

**Paulmann Licht GmbH**  
 Quezinger Feld 2  
 D-31832 Springe  
[www.paulmann.com](http://www.paulmann.com)  
 ☎ +49 (0) 5041 998 389  
 Mon. - Do. ☀ 7<sup>00</sup> - 20<sup>00</sup>  
 Fr. ☀ 7<sup>00</sup> - 17<sup>00</sup>

**INFO-LINE**

**A**

**B**

(mm ø)

**C**

	 [ mm ]	 Security	 [ mm ]	 Security	 [ mm ]	 Security	 [ mm ]
	68	50	60	35	60	50	90
	70	50	60	35	60	50	90

**D**

**E**

**F**

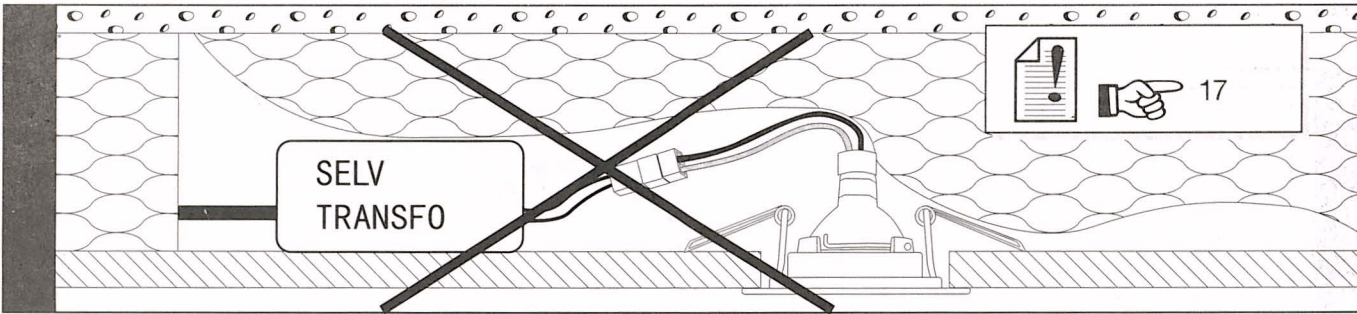
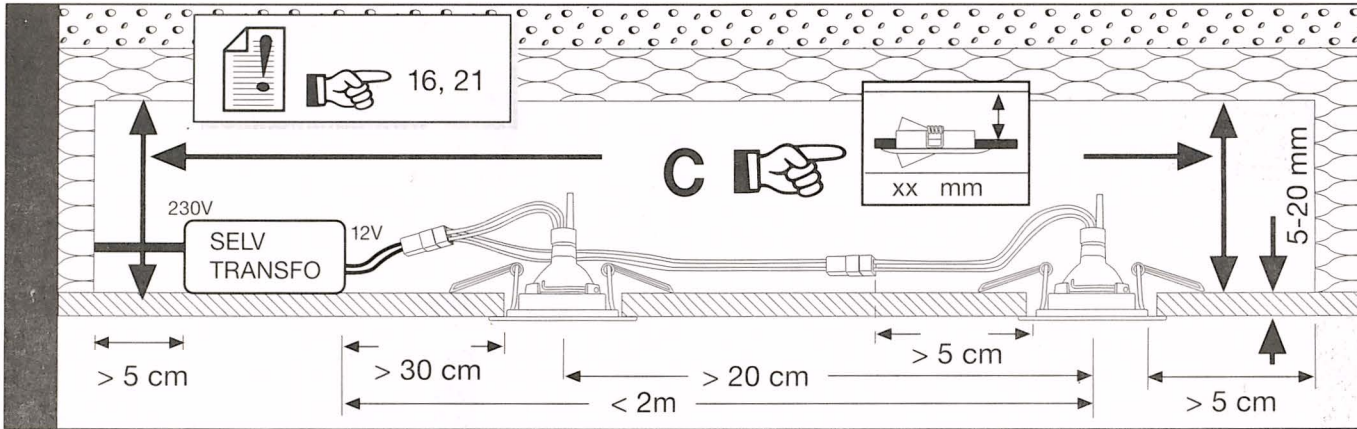
**G**


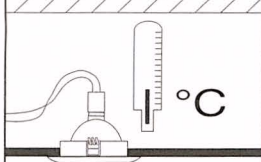




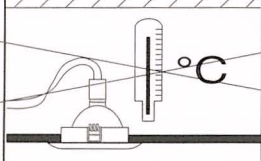

**H**

**I**

**J**

>0,5m = 0,5m 9



 <b>Paulmann</b> <b>SECURITY</b>		  <p>20 % 80 %</p>	 Art. No. 20 W 51mm GU5,3 832.21 35 W 51mm GU5,3 832.31 50 W 51mm GU5,3 832.51
		 <p>60 % 40 %</p>	

