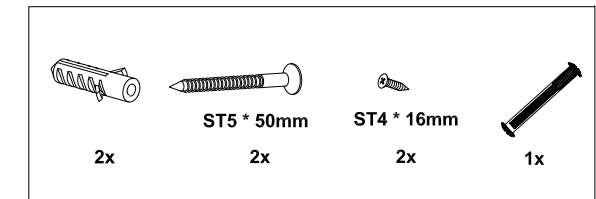


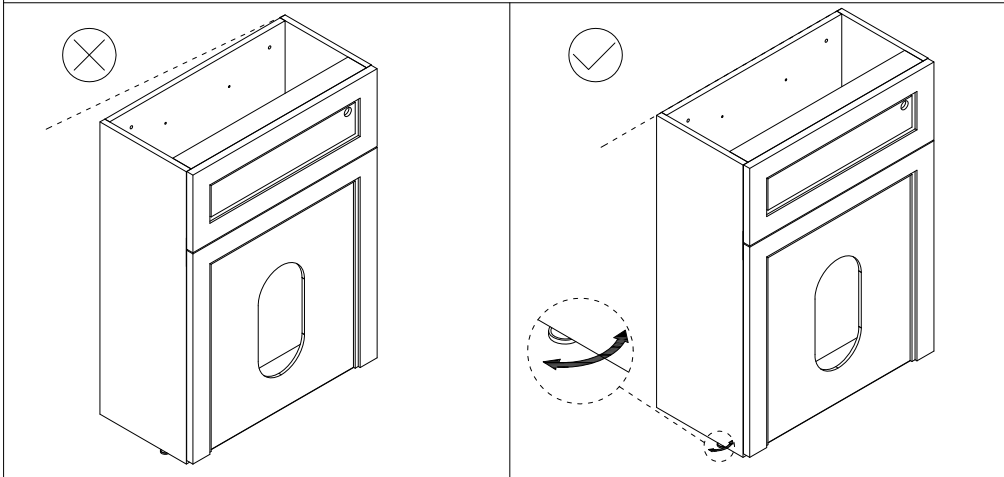
**IMPORTANT:** This unit must be securely fixed to a wall. Ensure that the top is horizontal before marking the wall for fixing. The wall fixings supplied may not be suitable for your installation. You may need to source alternatives depending on the material and strength of the wall you are fixing to.

**Care and Maintenance:** This is a wood product, and has a water resistant finish. It should not be left wet, and the quality of the finish is best maintained if it is wiped with a dry cloth after use. It should only be cleaned using a soft damp cloth followed by a dry cloth. Do not use bleach or any abrasive cleaner. **To service the cistern tank, please take off the front panel first.**

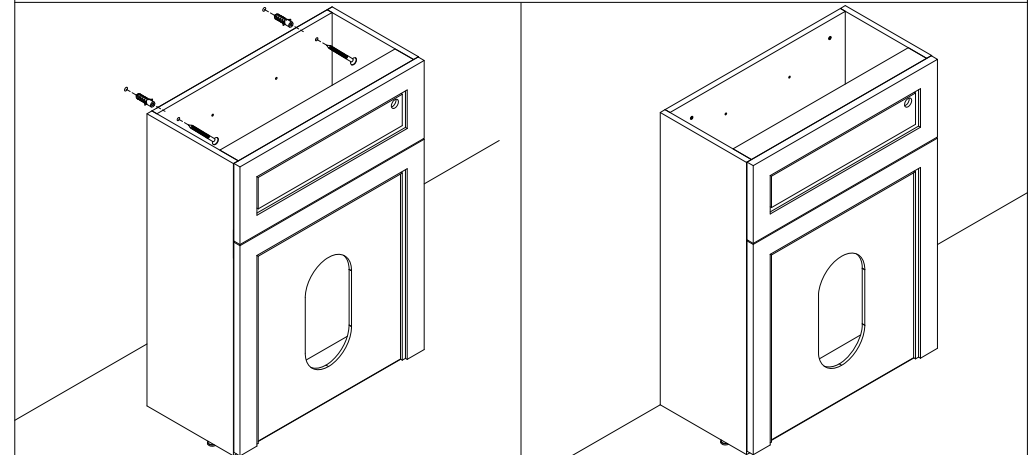
**Parts Supplied:**



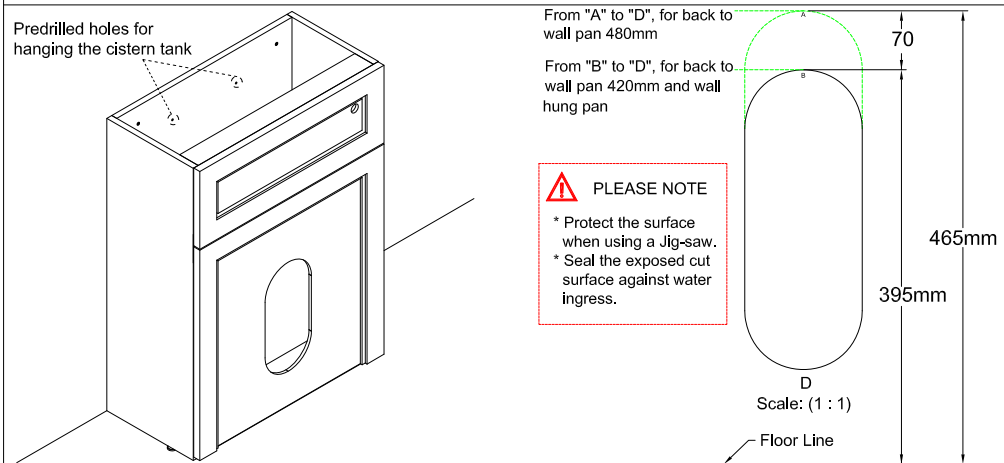
- Place the WC unit in final position, and check for level. If not, please adjust the 2 feet at the bottom of the WC unit.



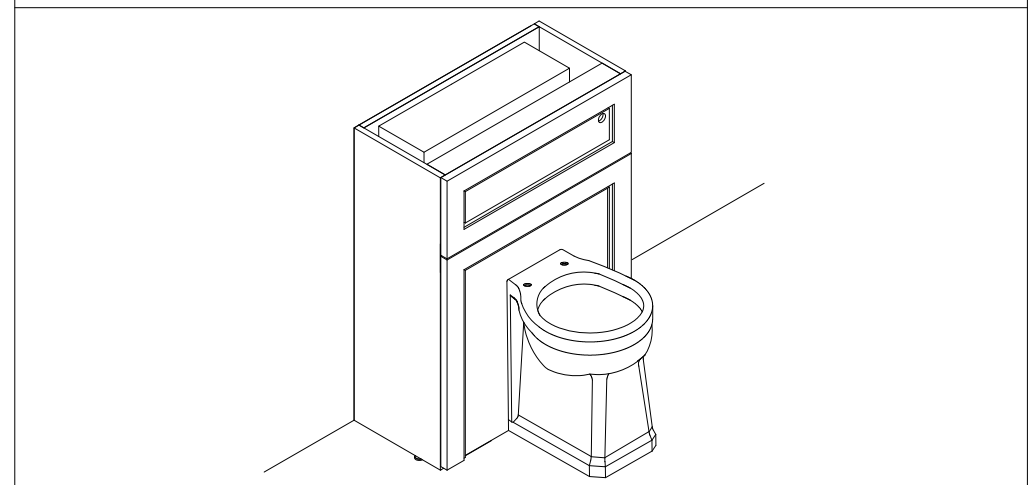
- Fit the WC unit onto the wall.  
Note: If you would like to install wall hung pan, please set wall hung frame properly before you fix the WC unit to the wall. Regarding the installation of wall hung frame, please refer to the instruction of the frame.



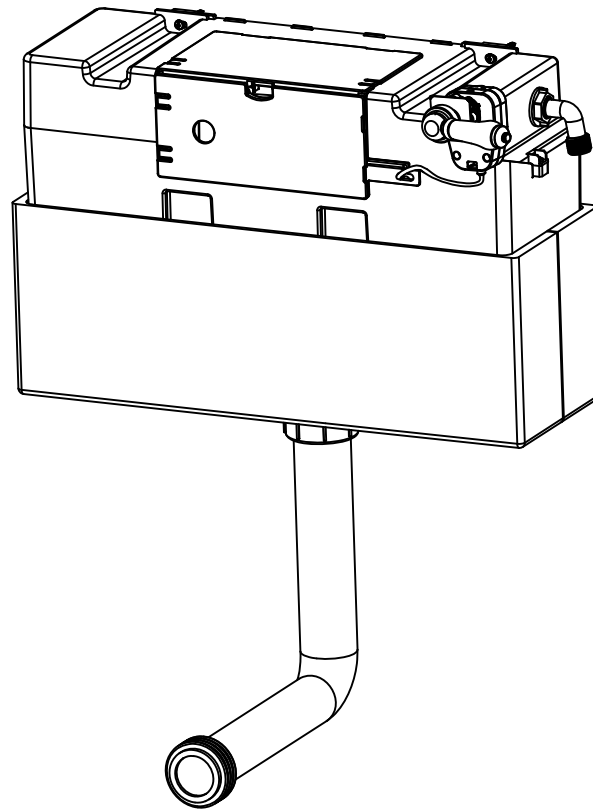
- Hang the cistern tank onto the back board. For the detailed cistern tank installation, please refer to the instruction of the cistern tank.
- The cutout on the WC unit is for 420 pan. If a 480 pan used, then follow the diagram on the right to enlarge the cutout.

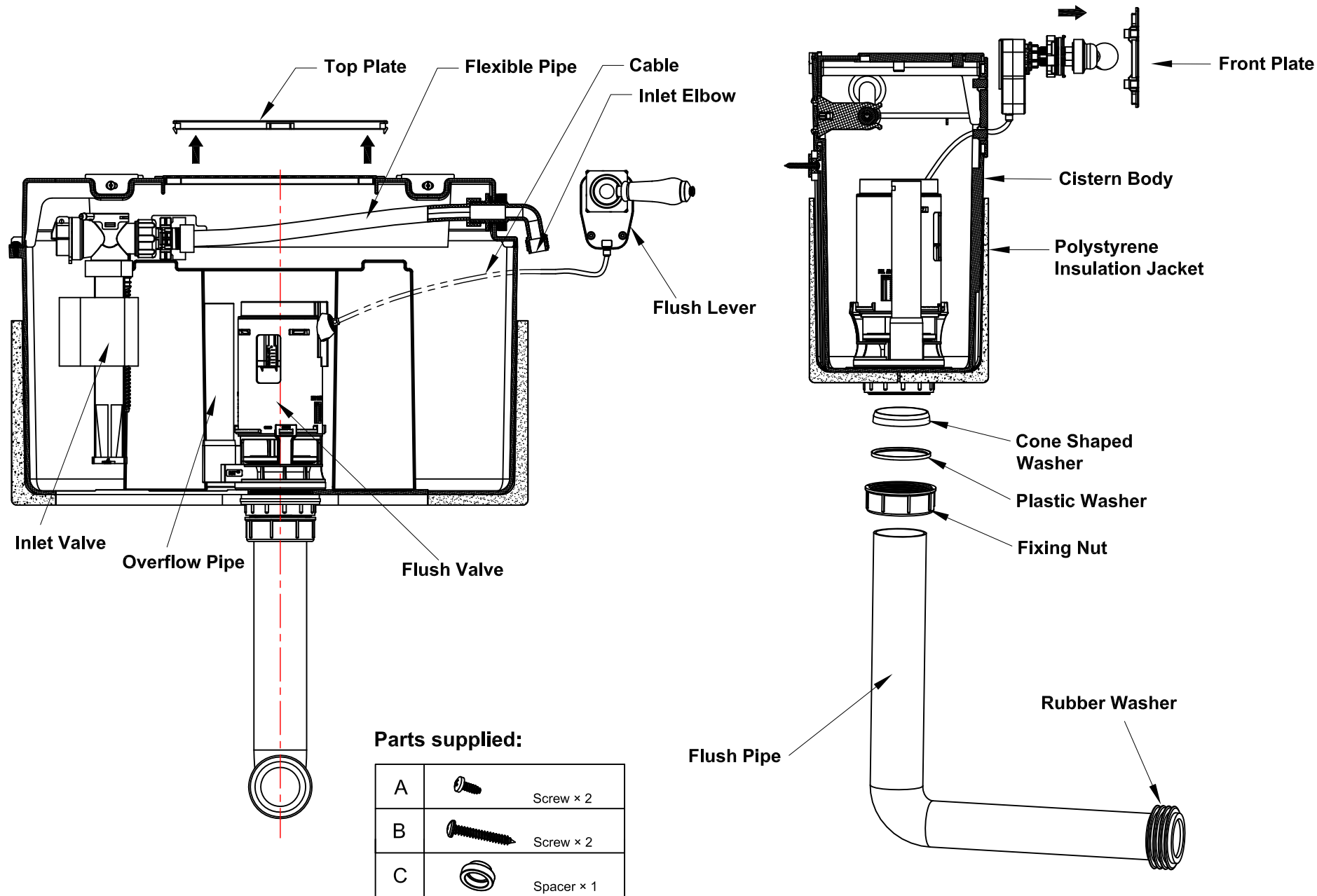


- Fit the pan onto the WC unit.



## Installation Instructions for Dual Concealed Cistern Front Top Access





## Inlet Valve & Flush Valve Scale Setting

The Inlet Valve & Flush Valve are preset to perform the 6.0L of Full Flush volume and the 3.0L of Half Flush volume.  
If the preset scale setting need to be adjusted, please follow the diagram below.

**6.0 Litre Full Flush Volume  
3.0 Litre Half Flush Volume**

**1** Adjust half flush float:  
The half float is set at 2, to reach flushing volume of 3.0 litres.  
(in this case, the half flush adjustor should be set at 3 as well.)

**2** Adjust full flush adjustor:  
The full flush adjustor is set at 2, to reach flushing volume of 6.0 litres.

**3** Adjust half flush adjustor:  
The half flush adjustor set at 5, to reach flushing volume of 3.0 litres.

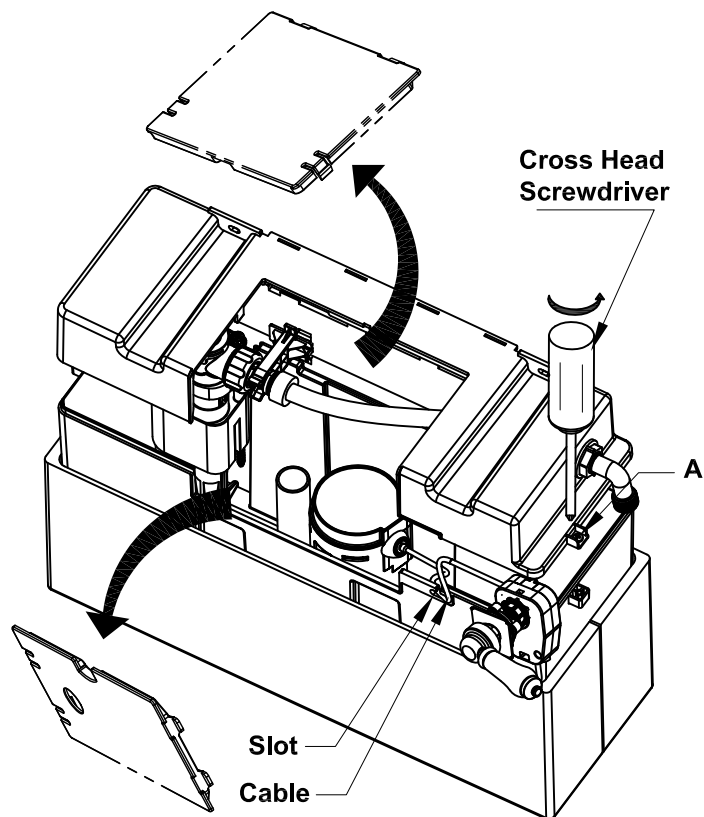
**4.5 Litre Full Flush Volume  
2.6 Litre Half Flush Volume**

**1** Adjust half flush float:  
The half float is set at 2, to reach flushing volume of 2.6 litres.  
(in this case, the half flush adjustor should be set at "Full Open" as well.)

**2** Adjust full flush adjustor:  
The full flush adjustor is set at "Full Open", to reach flushing volume of 4.5 litres.

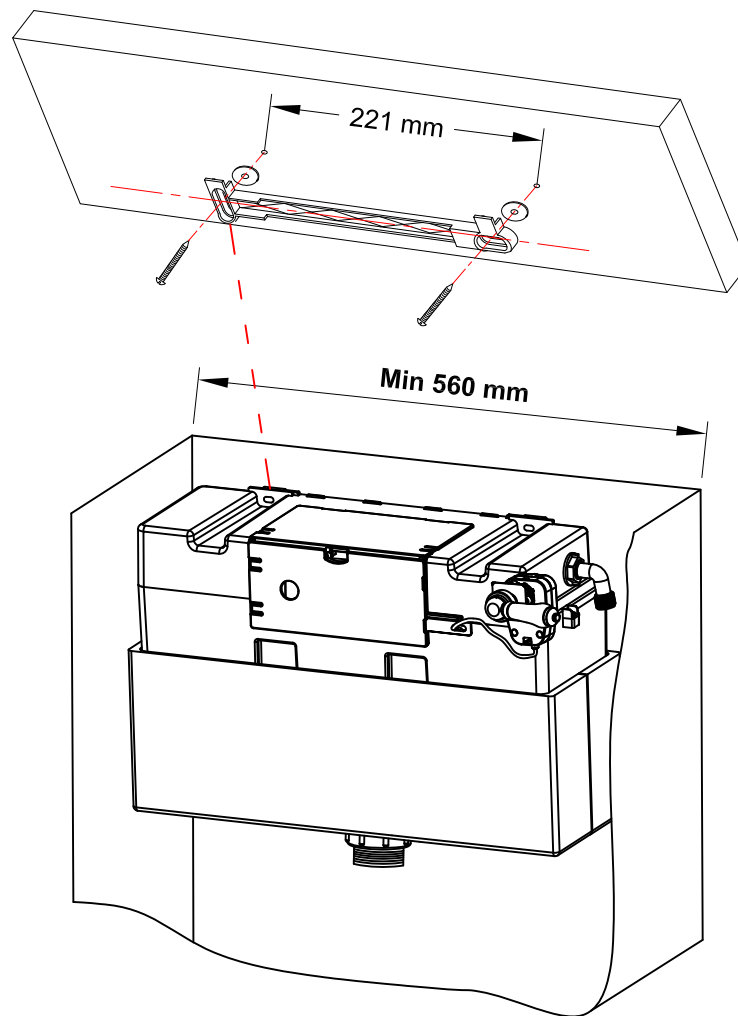
**3** Adjust half flush adjustor:  
The half flush adjustor set at 2, to reach flushing volume of 2.6 litres.

For the further information, please go to the Inlet Valve & Flush Valve Problem Solving pages (7 & 8).



Note: Make sure the cable is not distorted or kinked.

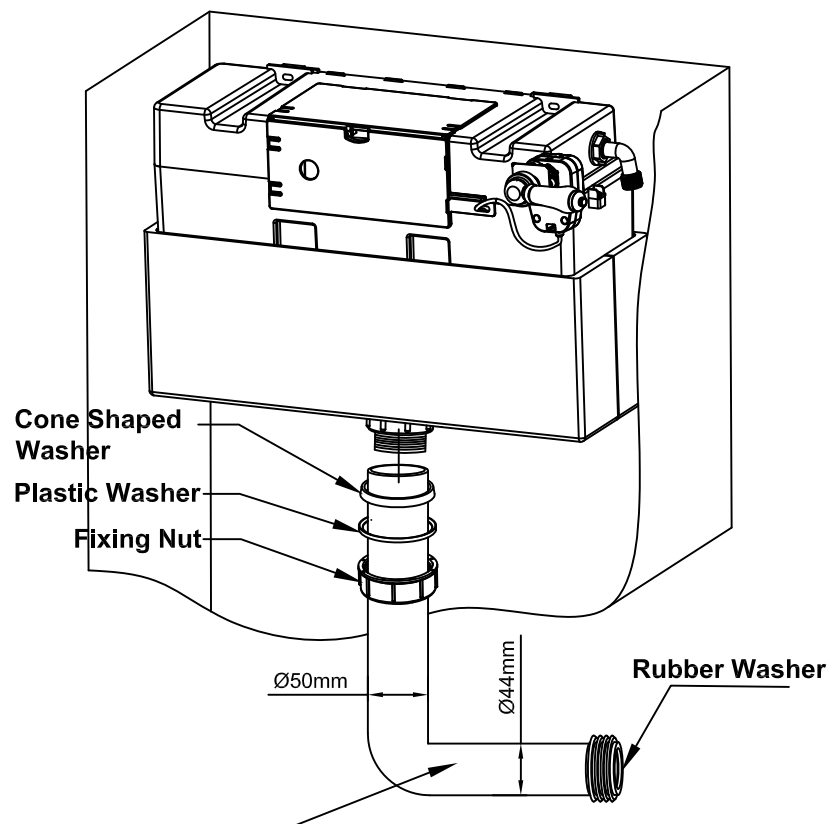
1. Fix the top part of cistern to the bottom part by using the two screws supplied.



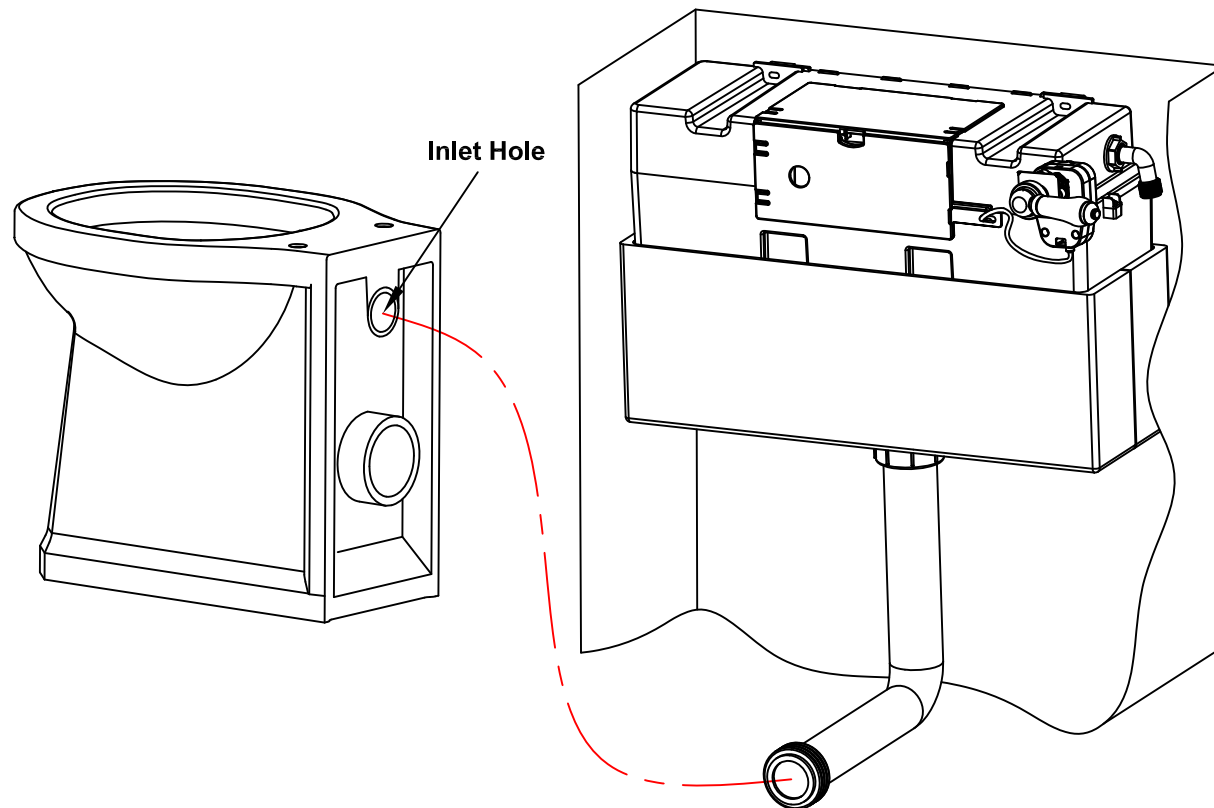
2. Note the minimum width required for this cistern is 560mm.

Fix the hanging bracket using the washers and the two screws provided to the pre-drilled holes on the WC unit.

Clip the cistern to the hanging bracket.



**Note: The flush pipe can be cut to size on both ends if necessary.**



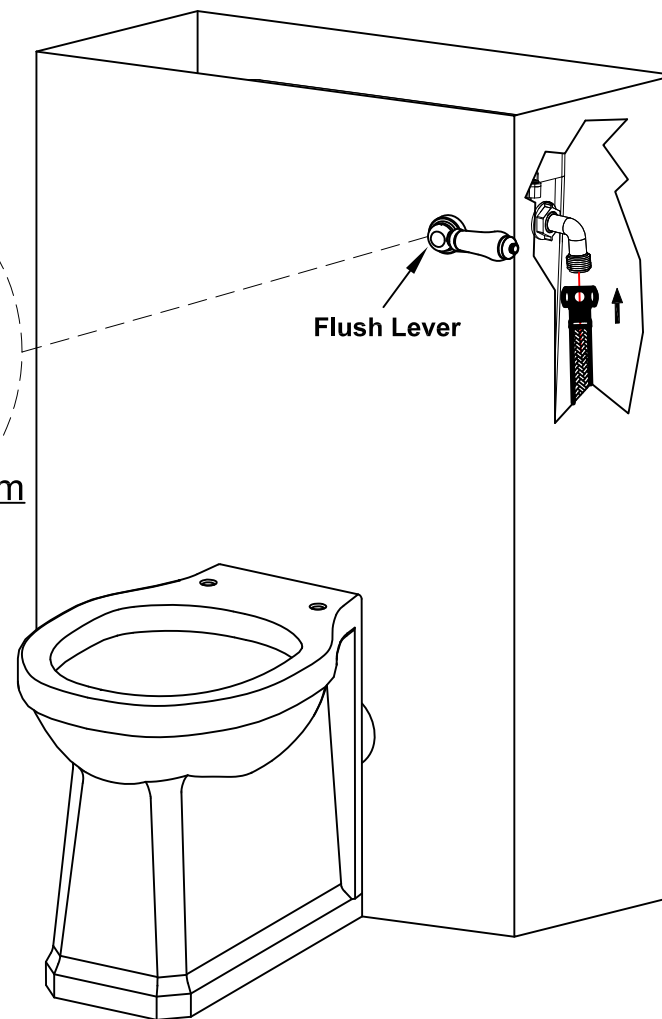
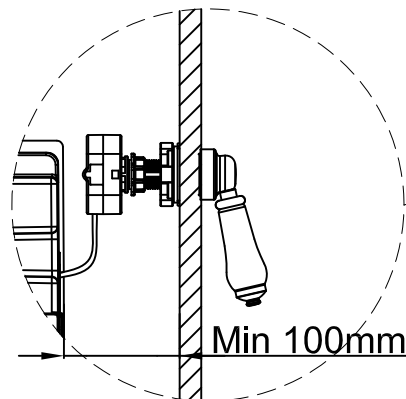
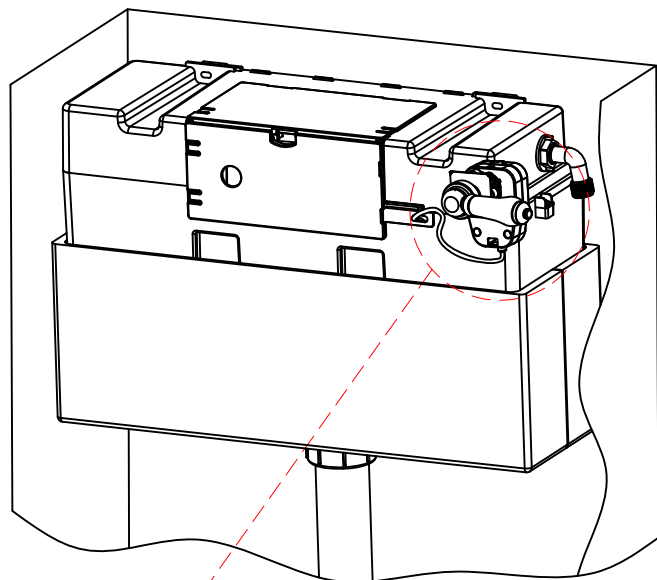
- Place the fixing nut, plastic washer and cone shaped washer onto the end of the flush pipe with diameter 50mm.

Insert the end into the base of the flush valve.

Slide the conical washer and plastic washer up to the outlet and then hand tighten the fixing nut.

Place the rubber washer onto other end of the flush pipe.

- Insert the Ø44 end of the flush pipe into the pan inlet, ensuring a good seal with the rubber washer.



<p>Flush Lever Box Fixing Nut Lever Nut Anti-rotation washer</p> <p>①</p>	<p>Pull</p> <p>②</p>	<p>Plastic Washer Rubber Washer</p> <p>③</p>	<p>* Make sure the cable is not distorted or kinked.</p> <p>Insert the box and tighten the nut.</p> <p>④</p>
<p>* With the lever facing outward and the slot on the thread facing upwards, fix the lever to cistern.</p> <p>Cistern Lever Hole Slot in the thread Spacer</p> <p>B Direction</p> <p>* The additional spacer can be used with the lever if needed.</p> <p>⑤</p>	<p>* The fixing nut should be tightened as much as possible to avoid the cistern lever working loose during operation.</p> <p>⑥</p>	<p>* Raise the lever so that it fits into the flush box in the correct position.</p> <p>⑦</p>	

**NOTE:**

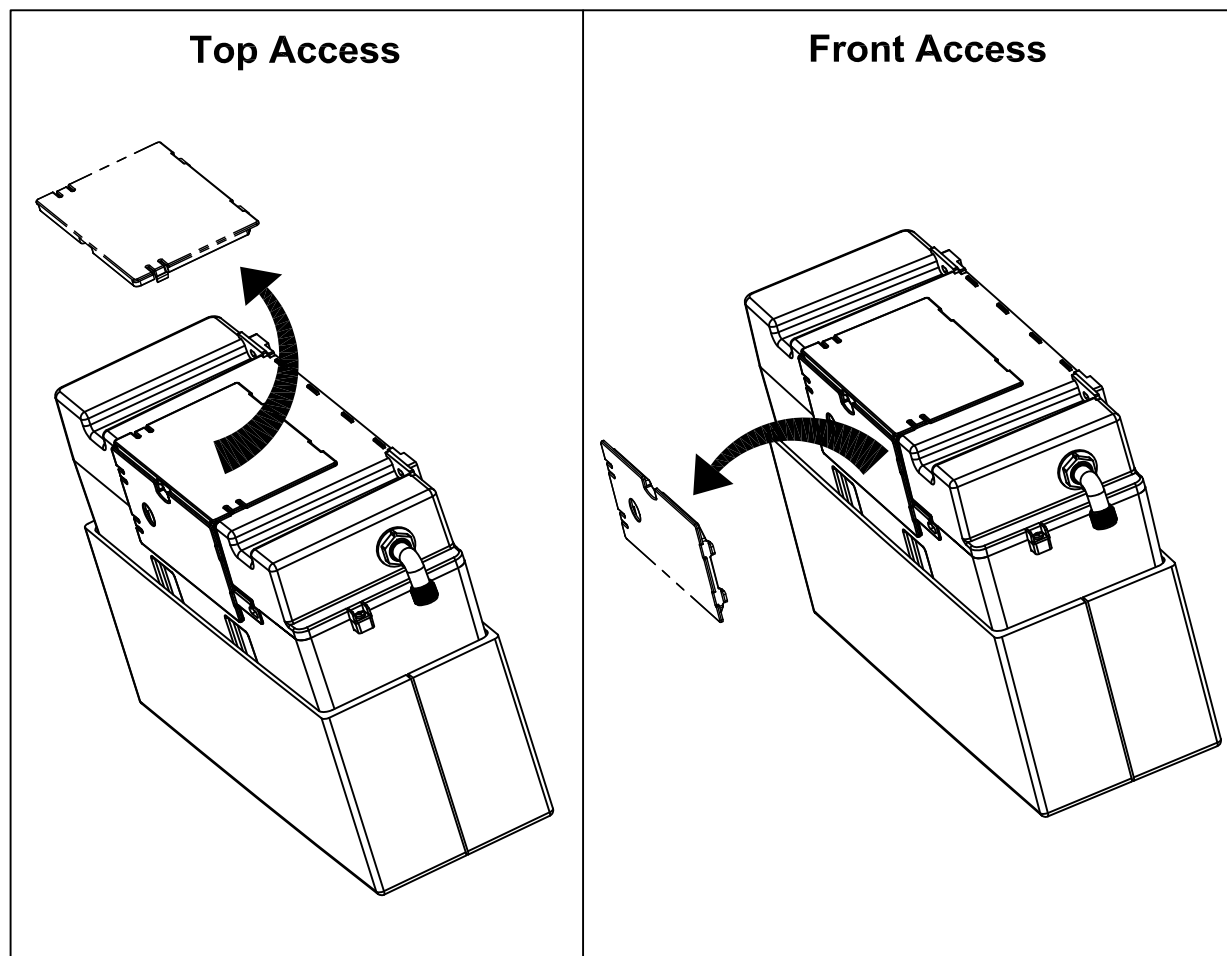
Connect the water supply to the inlet elbow.

After installation check that the full flush and half flush are working correctly.

Please consult the trouble shooting guide on page 7 if there are any problems.

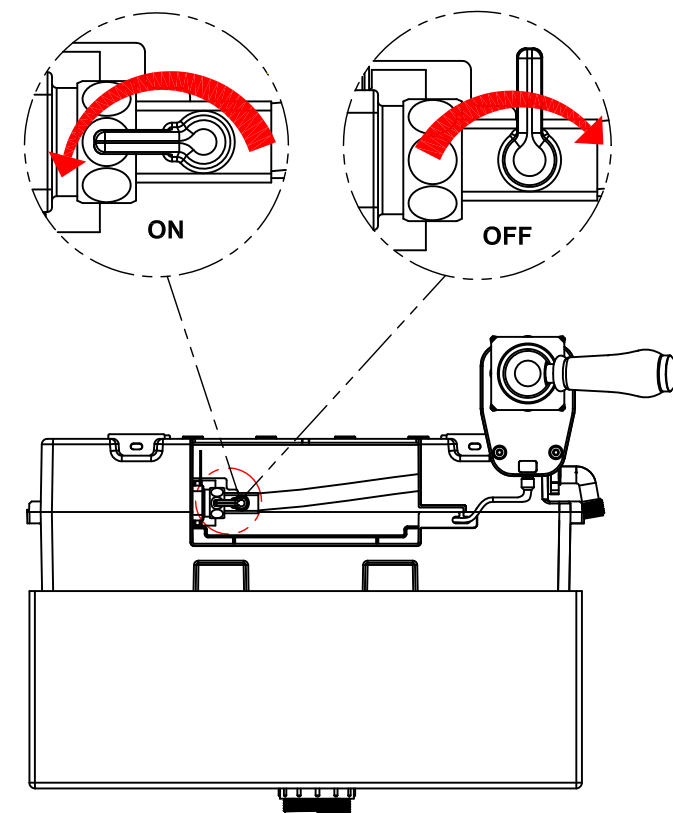
## Access And Maintenance

I. Top & Front Access Concealed Cistern has access for maintenance from either the top or the front.



II. Please follow the procedures below in case you need to have access for maintenance.

Before maintenance, the water inlet can be shut by turning off the insulating valve.

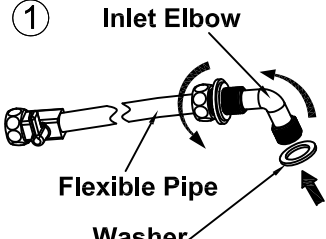




# Inlet Valve Installation And Problem Solving

## I. Inlet Valve Installation

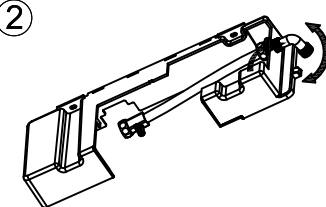
**① Inlet Elbow**



**Flexible Pipe**  
**Washer**

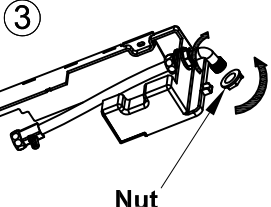
Connect the inlet elbow with washer to the flexible pipe.

**②**



Install the inlet elbow into the tank top cover, Adjust the angle of the inlet elbow if needed.

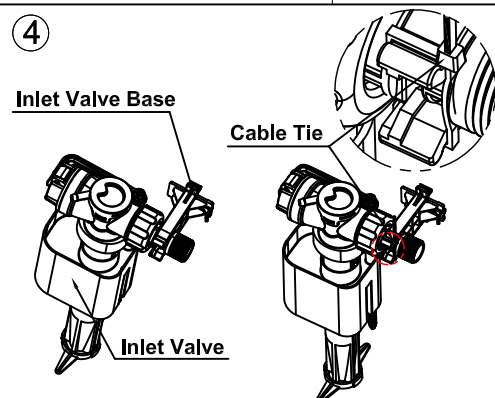
**③**



**Nut**

Tighten the fixing nut to the inlet elbow.

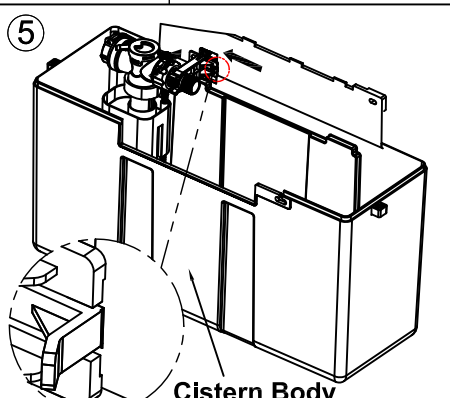
**④**



**Inlet Valve Base**  
**Cable Tie**  
**Inlet Valve**

Clamping the Inlet Valve onto the inlet valve base, and tighten it with cable tie.

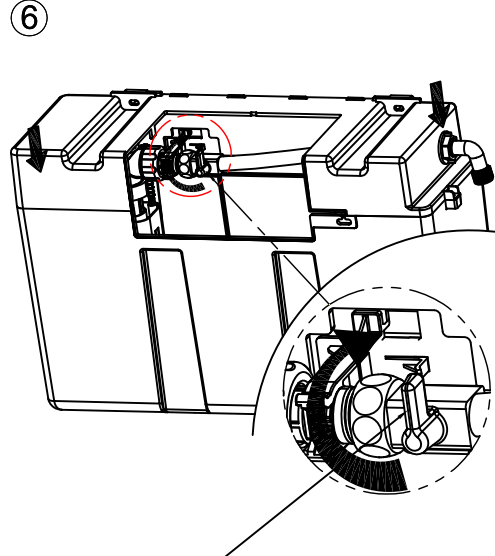
**⑤**



**Cistern Body**

Clamp the Inlet Valve base to the cistern body.

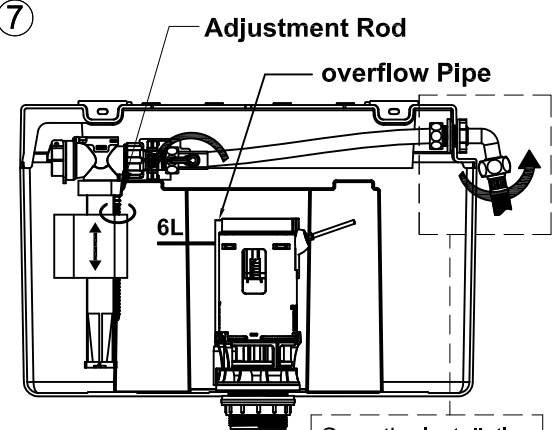
**⑥**



Adjust the flexible pipe to make sure the insulating valve is facing the front of the tank.

Close the cistern top cover and connect the flexible pipe with inlet valve.

**⑦**



**Adjustment Rod**  
**overflow Pipe**  
**6L**

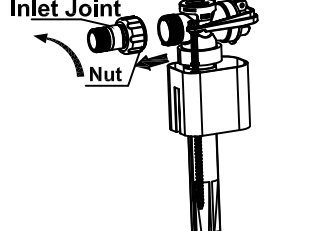
Once the installation is complete, please ensure the nuts are firmly secured.

Connect the water supply to the inlet elbow and turn on the insulating valve.

Adjusting the rod:  
A: By adjusting clockwise the water level rises and the flush volume increases.  
B: By adjusting anti-clockwise the water level falls and the flush volume decreases.

### Additional Information for filter cleaning (Please clean periodically)

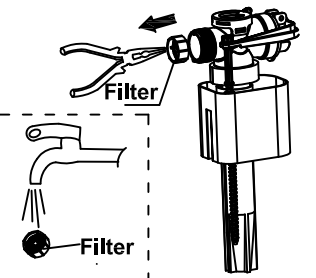
**Inlet Joint**



**Nut**

Turn off the water supply, screw off the flexible pipe. Loose the nut to take off the inlet joint from the inlet valve.

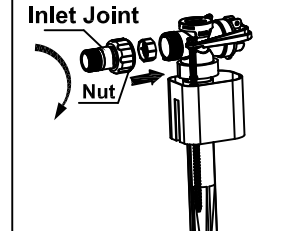
**Filter**



**Filter**

Pull out the filter from the Inlet. Clean by rinsing the filter.

**Inlet Joint**



**Nut**

Reinstall the filter, the inlet joint and flexible pipe and then complete the inlet valve installation.

Note: 1. Ensure that the float operates freely after installation.

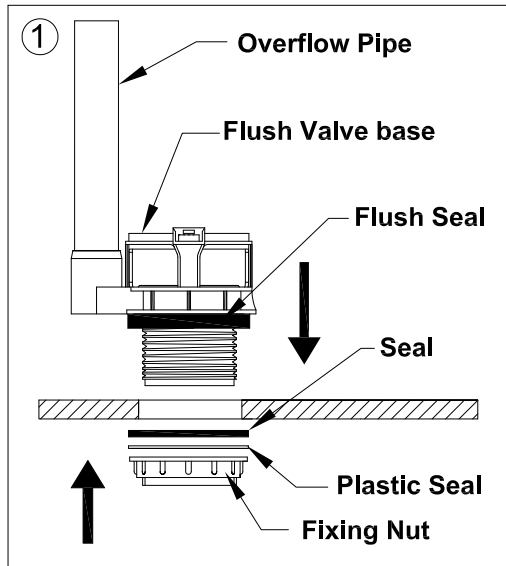
2. Flush the water to remove debris and impurities before connecting to the cistern.

## II. Inlet Valve trouble shooting

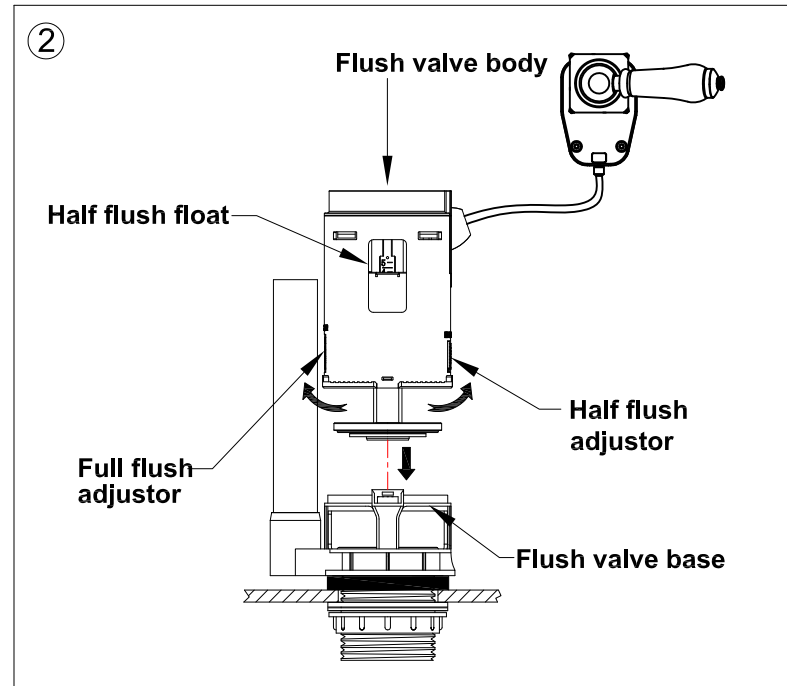
Problem	Reason	Solution
Incorrect water level	Incorrect adjustment.	Readjust the water level correctly.
Inlet Valve does not work	The switch of the inlet valve is off.	Turn on the insulation valve.
	The filter is blocked.	Clean the filter located between the flexible pipe and the inlet valve.
	The Float cup can not move freely.	Reposition the inlet valve.
Leakage	The Inlet Valve fixing nut is loose.	Tighten the nut.

## Flush Valve Installation And Trouble Shooting

### I. Flush Valve Installation



Insert flush valve base and flush seal through the tank flush hole. Tighten with the fixing nut, clamping the seals in place.



Insert flush valve body into the flush valve base, rotating it until it fixes onto the clip.

1. Adjust half flush float:

- ① Move float up, flush volume decreases.
- ② Move float down, flush volume increases.

2. Adjust full flush adjuster:

- ① Move adjustor up, flush volume decreases.
- ② Move adjustor down, flush volume increases.

3. Adjust half flush adjuster:

- ① Move adjustor up, flush volume decreases.
- ② Move adjustor down, flush volume increases.

\* Half flush float is for major adjustment of flush volume.  
The half flush adjuster is for minor adjustment of flush volume.

### II. Flush Valve Problem Solution

Problem	Reason	Solution
Leakage	1. Incorrect installation. 2. Flush valve base not correctly fitted to flush valve body. 3. Flush valve body is stuck.	1. Install again according to the correct installation procedure. 2. Remove and wash flush valve body.
Can't flush, low flush or half flush volume	Cable is distorted.	1. Unkink the cable. 2. Adjust flush valve body.
Half flush water level is too high or too low.	Water level is adjusted incorrectly.	Adjust water level.

#### Note:

- 1. Please read these instructions carefully to avoid damage to the cistern, and to ensure correct installation.
- 2. Do not use bleach or bleach based cleaning products in the cistern. These will cause damage to the seals. We cannot be held responsible or liable for any failure which results from the use of bleach based products.
- 3. Water temperature range +2C to +45C.
- 4. Water pressure 0.2 to 8 bar.