

Collection

ELIO

Article

E0394_1

Description

Two pieces washbasin

Box Dimensions

455x310x75 mm

Weight

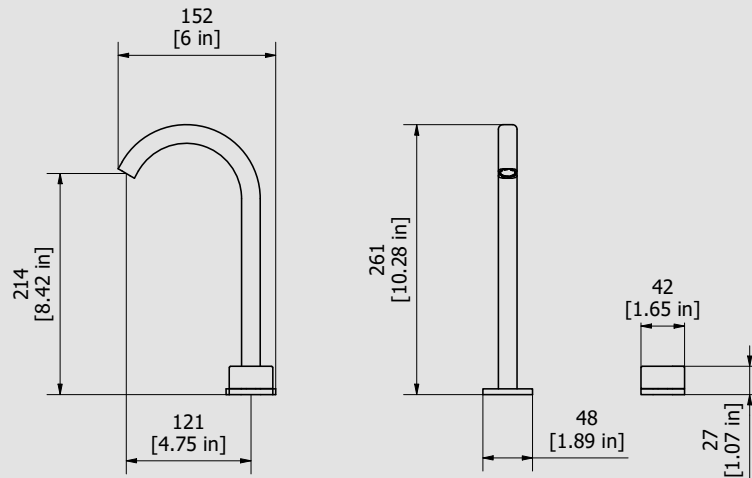
2.5 kg

Finishes

- **CC**
CHROME
- **PL**
PLATINUM
- **SS**
BRUSHED
NICKEL
- **ON**
NATURAL
BRASS
- **BO**
MATT
WHITE
- **NP**
MATT
BLACK
- **CF**
BLACK
CHROME
- **CS**
BRUSHED
BLACK
CHROME
- **II**
PALE
GOLD
- **IS**
BRUSHED
PALE GOLD
- **RS**
ROSE
GOLD
- **SR**
BRUSHED
ROSE GOLD
- **OO**
GOLD
- **OS**
BRUSHED
GOLD
- **RR**
ANTIQUÉ
COPPER
- **BB**
ANTIQUÉ
BRONZE



Dimensions



Cartridge

Ø25 progressive cartridge

Threaded fitting

G1/2" female 400mms

Aerator

M16.5x1

Flow Rate (+/-10%)

1 BAR	2 BAR	3 BAR
3 l/m	3.8 l/m	3.8 l/m

Production

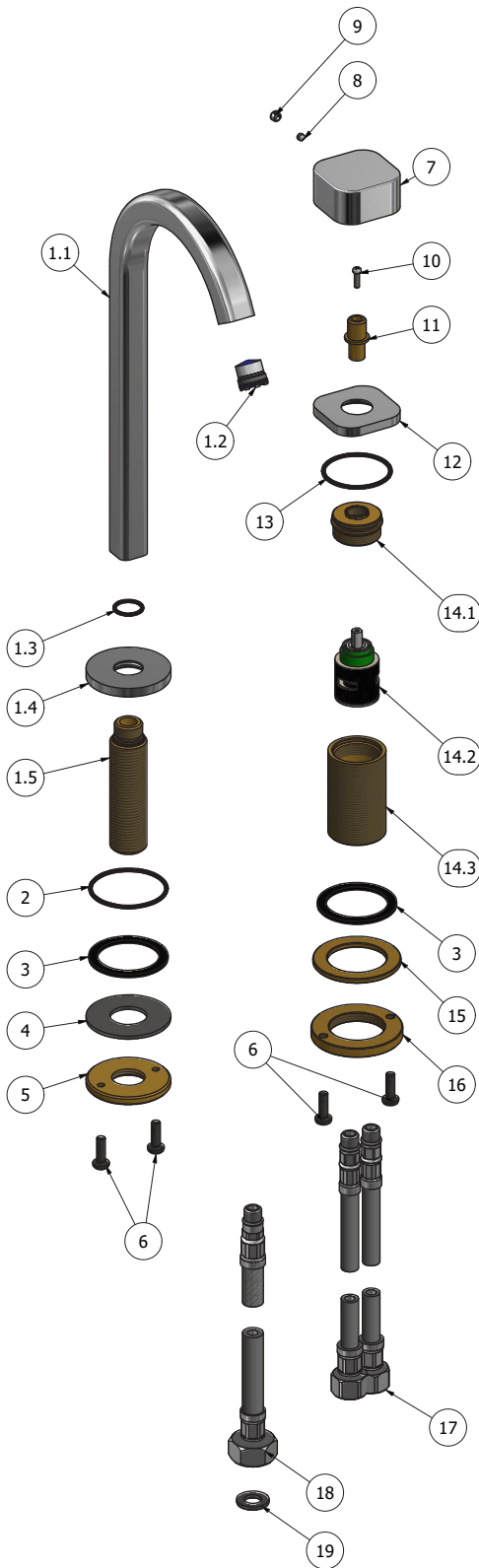
Main body is a machined from a solid pieces

Material

BRASS
According to CuZn42 (CW510L)
Max Lead content: 0.2%



WE ARE IB



Parts list			
ELEM.	CODE	DESCRIPTION	QTÀ
1	CPEI394CC-1A	Preassembled spout	1
1.1	AC0016797	Low Mouth 18x18 R4.5 H255.5 int.208.3x120.6 30GR	1
1.2	AQ0014147	Perlator PCA cachè laminar 1 GPM (44.3358.010)	1
1.3	AQ0009818	OR 14x1.78 NBR 70 SH	1
1.4	AC0016803	Rosotte Ø48 H5.5 G"1/2F.	1
1.5	AS0016649	Threaded steam G1/2" M16x1 H81	1
2	AQ0013363	OR 41x2 NBR 70 SH	1
3	AQ0008013	Rubber packing 45x35x2	2
4	AS0016650	Washer Ø48 Ø21 H2	1
5	AS0016648	Nut Ø48 G1/2" H5	1
6	AQ0010358	Inox screw M5x16 ISO 7045	4
7	AC0016801	Handle 42x42 H21.5 plane	1
8	AQ0001082	Grubscrew M4x4 cone point	1
9	AQ0012203	Plug	1
10	AQ0012206	Inox screw M3x10	1
11	AS0016798	Insert Ø14 Ø10.5 H25	1
12	AC0016800	Rosette 42X42 M28x1.5.F H5.5	1
13	AQ0010091	OR 36x2 NBR 70 SH	1
14	CPEI394CCXN_1	Preassembled mixer body	1
14.1	AS0016795	Nut M28x1.5M M27x1.5M M12x1 F H15.5	1
14.2	AQ0016220	Progressive cartridge Ø25 closure (ST233) 180 degrees	1
14.3	AS0016804	Body M33x1.5M M27x1.5F H53	1
15	AS0010659	Brass ring Ø50x35.5x3	1
16	AS0010658	Ring nut with screwed holes Ø52 M33x1.5 H6	1
17	AQ0000932	Inox hose M10x1 G3/8" F L400	2
18	AQ0015762	Inox hose DN8 M10x1 G1/2" L400 WRAS	1
19	AQ0003080	Rubber G1/2"	1



WARRANTY

All IB Rubinetterie SpA products are warranted for 10 years from the date of purchase, for the following cases:

- Defects of casting, porosity and chrome plating.
- Operating defects caused by incorrect fabrication.

The warranty provides for repair or replacement of products with fabrication defects recognized by our technical office. There is no other type of compensation anche the merchandise must be returned FOB our warehouse. The warranty only cover surface defects (scatches, dings, etc.) on fitting that have not been installed and used, returned in its original packaging with all components. O-ring, gasket seals and components subject to wear proportional to use are warranted for 2 years.

The warranty is void in the following cases:

Error installing and putting the product into service.

Deterioration of finished surfaces due to use of cleaning products containing acids or abrasive substances. Deterioration of surface with finishes other than chrome plating. Their durability is, in fact, dependent on the user's care and gentleness of use.

Deterioration of the fitting due incorrect installation.

Improper repairs and maintenance performed without the company's prior authorization.

The warranty from IB Rubinetterie SpA is not renewable.

Cleaning

We recommended cleaning the finish surfaces with water and soap, using a soft cloth.

Do not use detergents that contain hydrochloric acid or abrasive substances.

