

# INSTALLATION GUIDELINES



STYLE No. HNKM70, HN70KM

Henry One Hole Gooseneck Kitchen Faucet with Pull-Down Spray and Metal Lever Handle

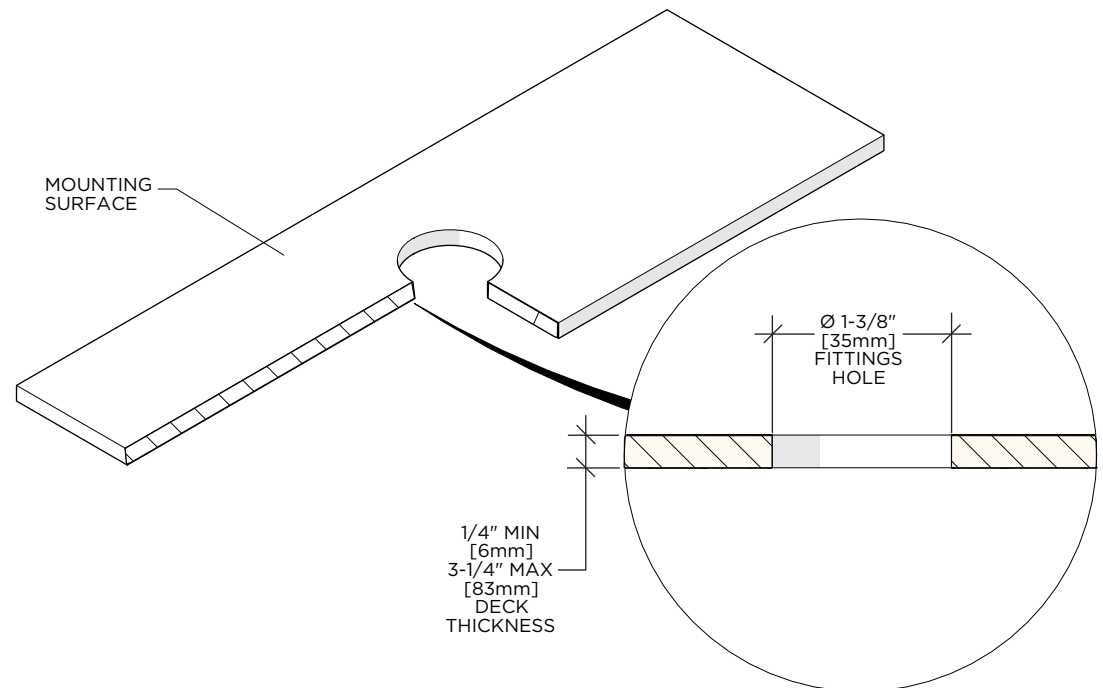
## IMPORTANT:

- To ensure this product is installed properly, you must read and follow these guidelines.
- The owner/user of this product must keep this information for future reference.
- This product must be installed by a professional licensed contractor.
- Be sure your installation conforms to federal state, and local codes. In the State of Massachusetts, all installations must comply with the rules and regulations set forth within 248 CMR.
- Inspect this product to ensure you have all the parts required for proper installation. Product is sold partially assembled but shown fully disassembled for illustrative and service purposes only.
- Use only a strap wrench or protected/smooth-jaw wrench on any finished surface.
- The use of certain plumber's putty may stain stone or tile surfaces.
- If further assistance is required, please contact Product Support at 1-800-927-2120 Monday through Friday, 8am - 6pm EST.
- Refer to the separate Service Parts Documents for available replacement parts.

## TECHNICAL DETAILS:

DETAIL	SPECIFICATION
ADJUSTABLE VERSUS FIXED SPRAY	ADJUSTABLE
HANDLE TURN ANGLE	QUARTER TURN
INLET CONNECTION	3/8" COMPRESSION CONNECTOR HOSES †
RESTRICTED MAXIMUM FLOW RATE	2.2gpm [8.3L/min]
SPOUT REACH	7-9/16" [193mm]
SPOUT SWIVEL	YES
SPRAY HOSE LENGTH	49" [1.2m]
SPRAY INCLUDED IN UNIT	YES
WATER PRESSURE RANGE	20psi [1.5 bar] MIN 85psi [6.0 bar] MAX
WATER PRESSURE RECOMMENDED	45psi [3.0 bar]

† UK Style No., **HN70KM** is supplied with 2 BSPP adapters, assembly required.

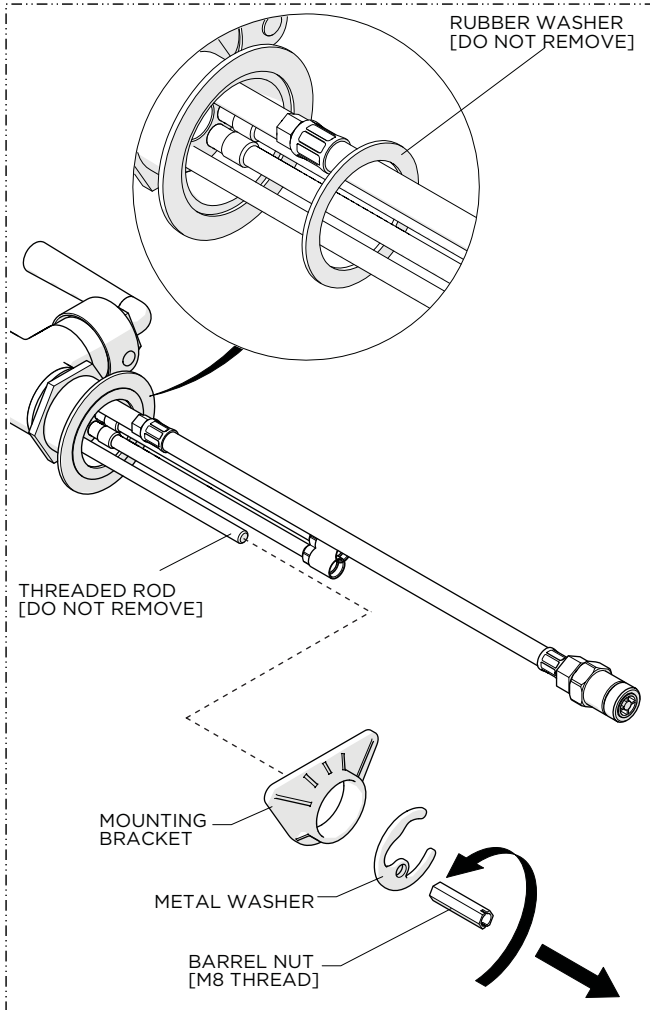


# INSTALLATION GUIDELINES



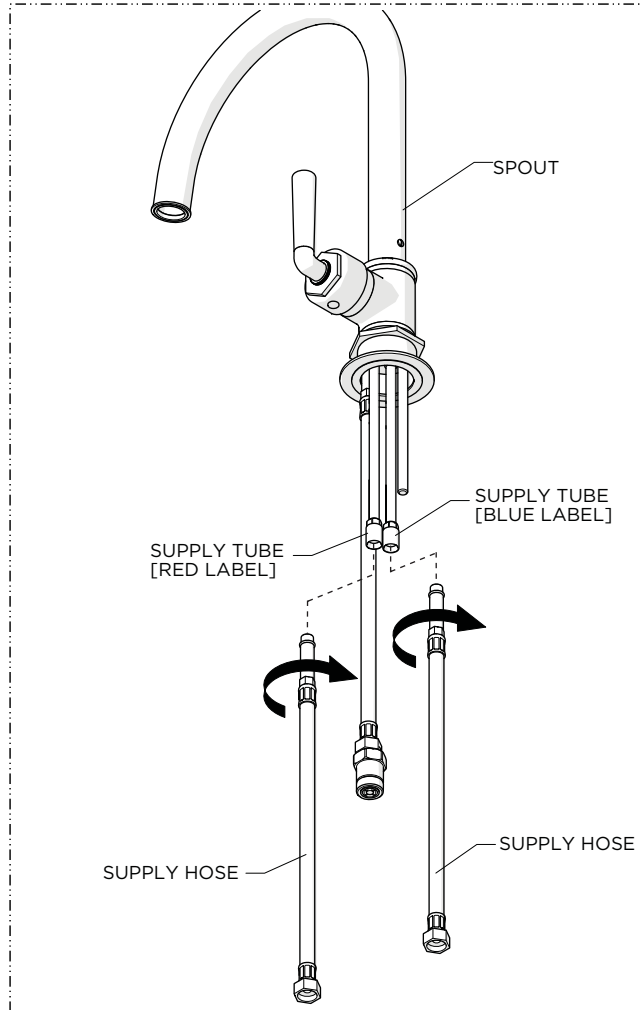
STYLE No. HNKM70, HN70KM

Henry One Hole Gooseneck Kitchen Faucet with Pull-Down Spray and Metal Lever Handle



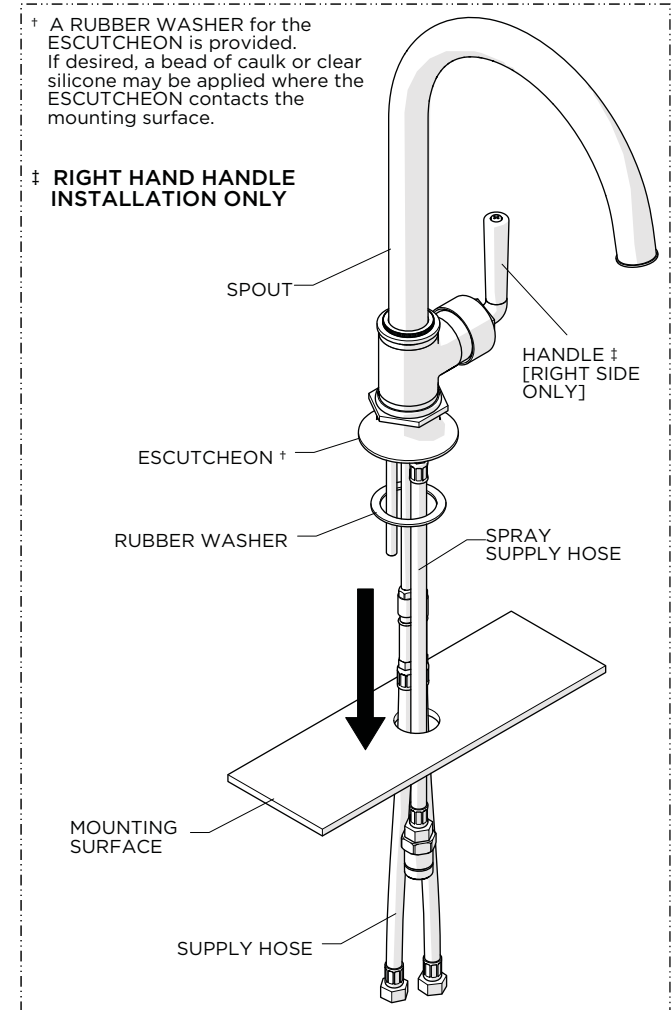
1. Unthread and remove the BARREL NUT from the THREADED ROD, then remove the METAL WASHER and MOUNTING BRACKET.

**NOTE:** Do **NOT** remove THREADED ROD or RUBBER WASHER beneath the ESCUTCHEON.



2. Thread and securely tighten the SUPPLY HOSES onto the SUPPLY TUBES installed on the SPOUT.

**NOTE:** The HOSES are M10 x 3/8" COMPRESSION CONNECTOR HOSES and the SUPPLY TUBES are marked BLUE for cold and RED for hot.



† A RUBBER WASHER for the ESCUTCHEON is provided. If desired, a bead of caulk or clear silicone may be applied where the ESCUTCHEON contacts the mounting surface.

‡ **RIGHT HAND HANDLE INSTALLATION ONLY**

3. Insert the SPOUT through the hole on the mounting surface making sure the RUBBER WASHER provided is beneath the ESCUTCHEON and the HANDLE is aligned on the RIGHT SIDE of the SPOUT.

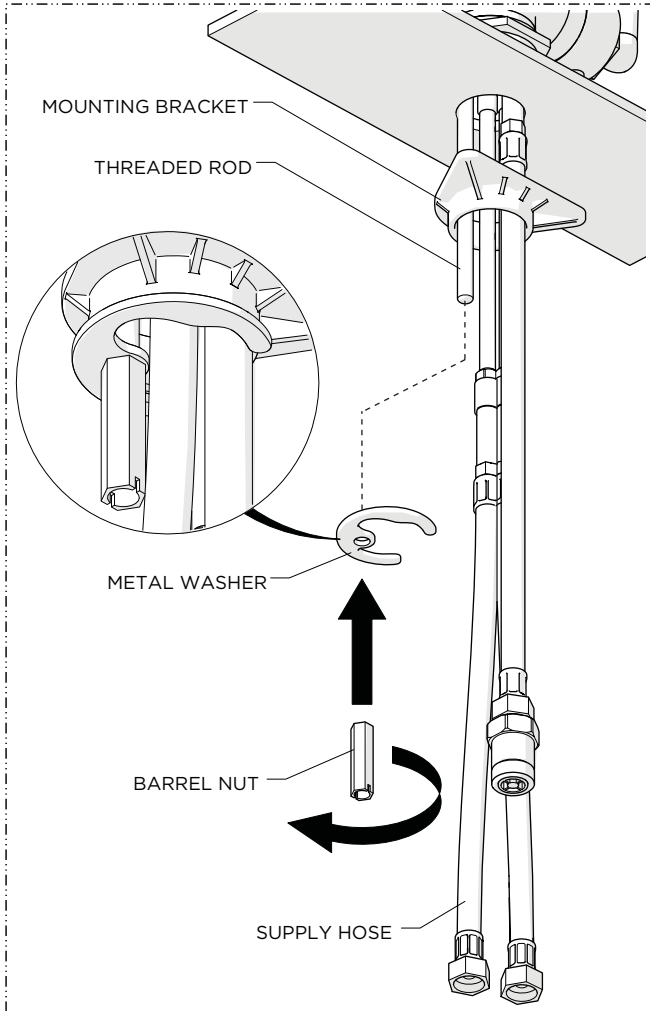
**NOTE:** The HANDLE can **ONLY** be installed on the RIGHT SIDE.

INSTALLATION GUIDELINES



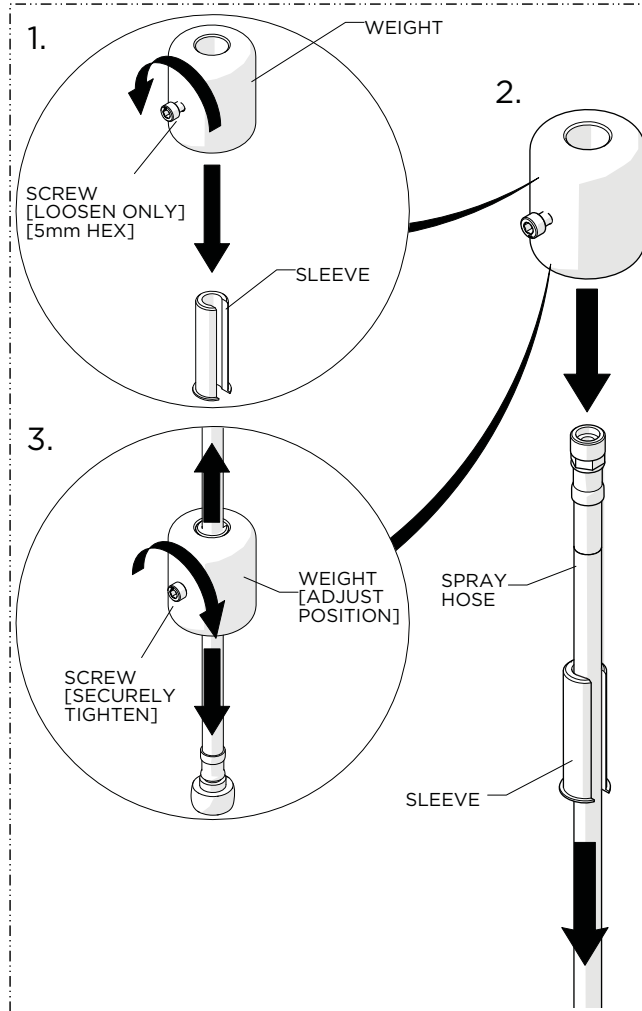
STYLE No. HNKM70, HN70KM

Henry One Hole Gooseneck Kitchen Faucet with Pull-Down Spray and Metal Lever Handle

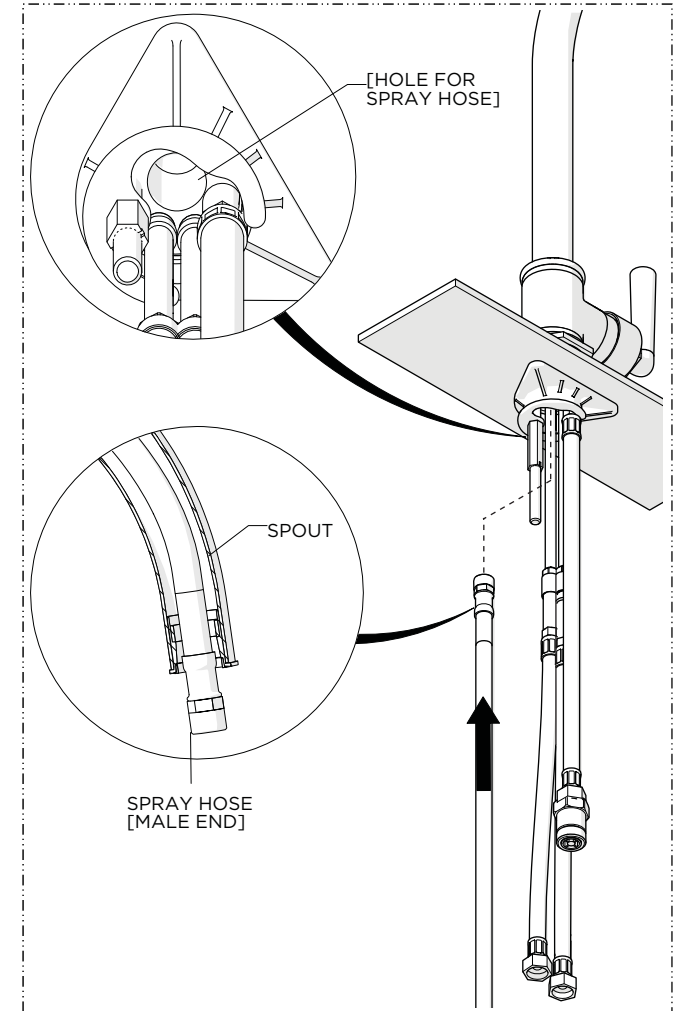


4. Slide the MOUNTING BRACKET over the HOSES and THREADED ROD, place the METAL WASHER onto the THREADED ROD then thread and securely tighten the BARREL NUT onto the THREADED ROD.

**NOTE:** Ensure the METAL WASHER fits properly around the HOSES.



5. Loosen, but do NOT remove, the SCREW on the WEIGHT using 5mm HEX KEY then remove the INTERNAL SLEEVE. Place the SLEEVE over the NYLON SPRAY HOSE then slide the WEIGHT over the SLEEVE then securely tighten the SCREW to secure the WEIGHT in the desired position.



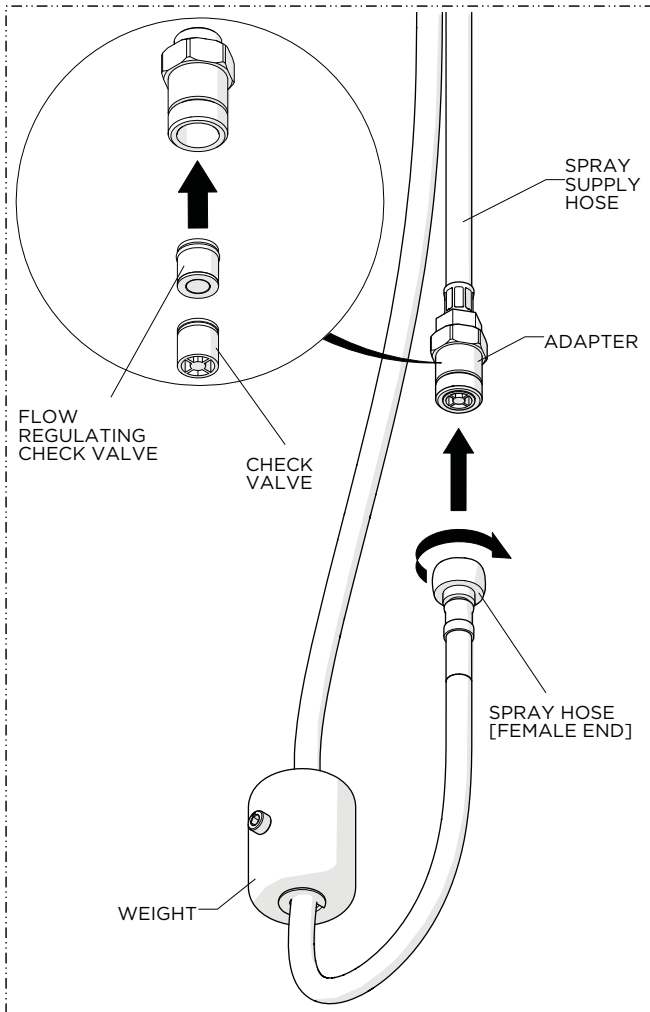
6. Insert the MALE END of the NYLON SPRAY HOSE through the bottom of the SPOUT until it protrudes from the end of the SPOUT.

# INSTALLATION GUIDELINES



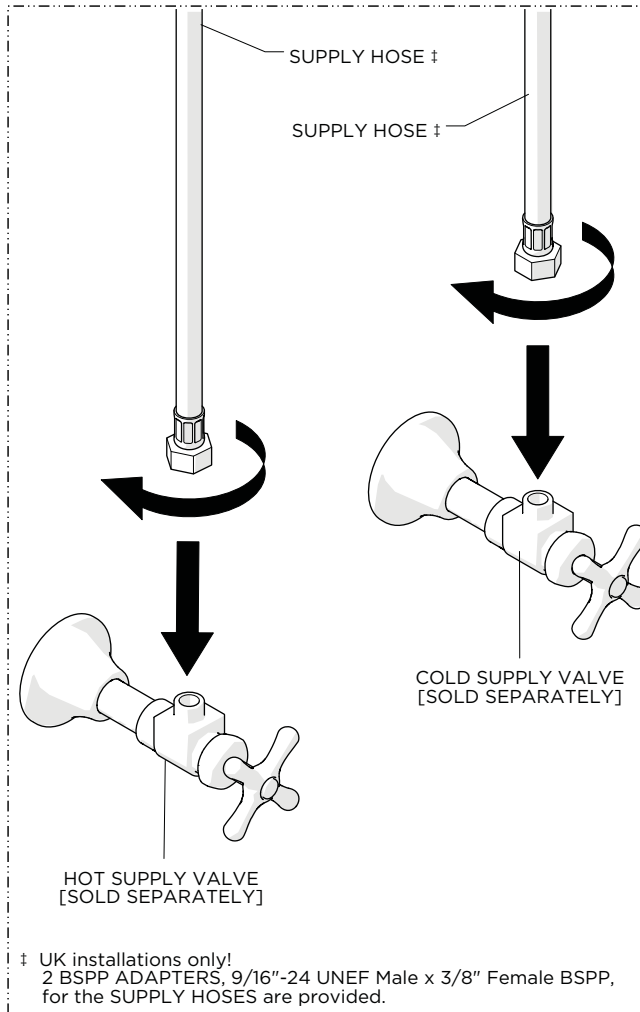
STYLE No. HNKM70, HN70KM

Henry One Hole Gooseneck Kitchen Faucet with Pull-Down Spray and Metal Lever Handle



7. Thread and securely tighten the FEMALE END of the NYLON SPRAY HOSE to the SUPPLY HOSE using the ADAPTER provided.

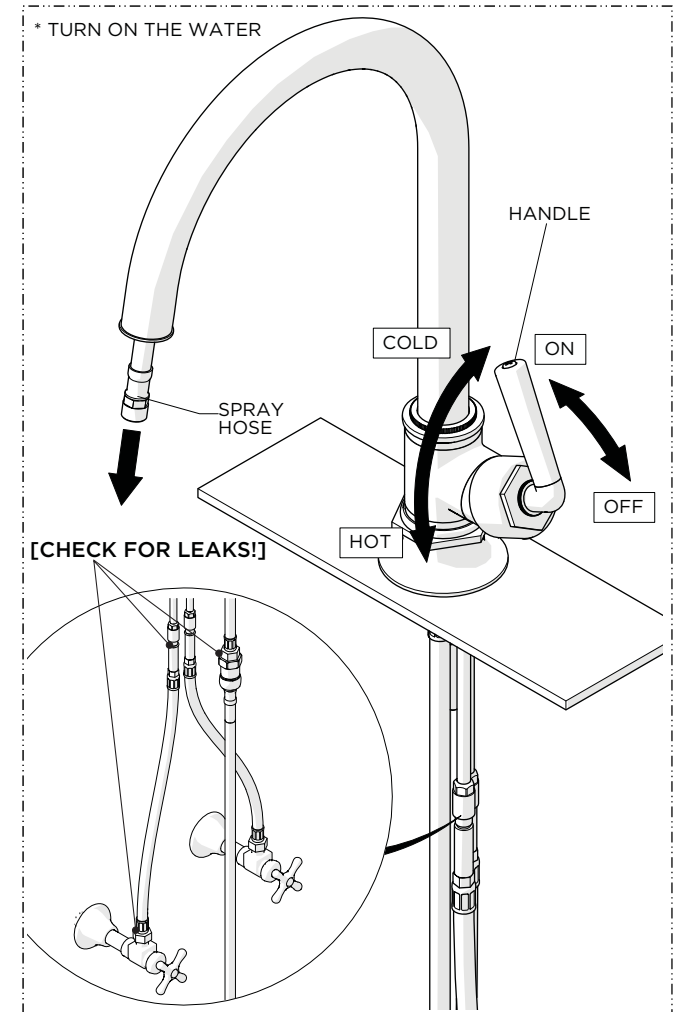
**NOTE:** A FLOW REGULATING CHECK VALVE is located inside the ADAPTER as well as an additional CHECK VALVE.



‡ UK installations only!  
2 BSPP ADAPTERS, 9/16"-24 UNEF Male x 3/8" Female BSPP, for the SUPPLY HOSES are provided.

8. Connect the SUPPLY HOSES to the SUPPLY VALVES [sold separately].

**NOTE:** The HOSES are connected to SUPPLY TUBES that are marked BLUE for cold and RED for hot.



9. Turn on the water and operate the HANDLE to ensure it functions properly and to flush out any debris in the supply lines then check all connections for leaks and turn off the water.

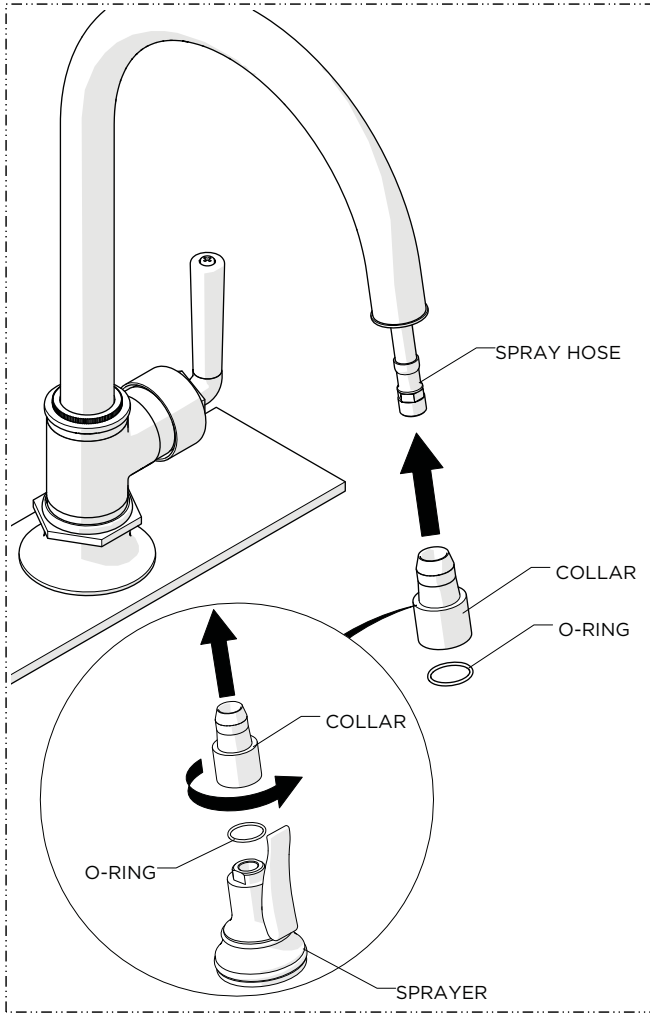
**CAUTION:** Flush out the supply lines prior to installing the SPRAYER.

INSTALLATION GUIDELINES

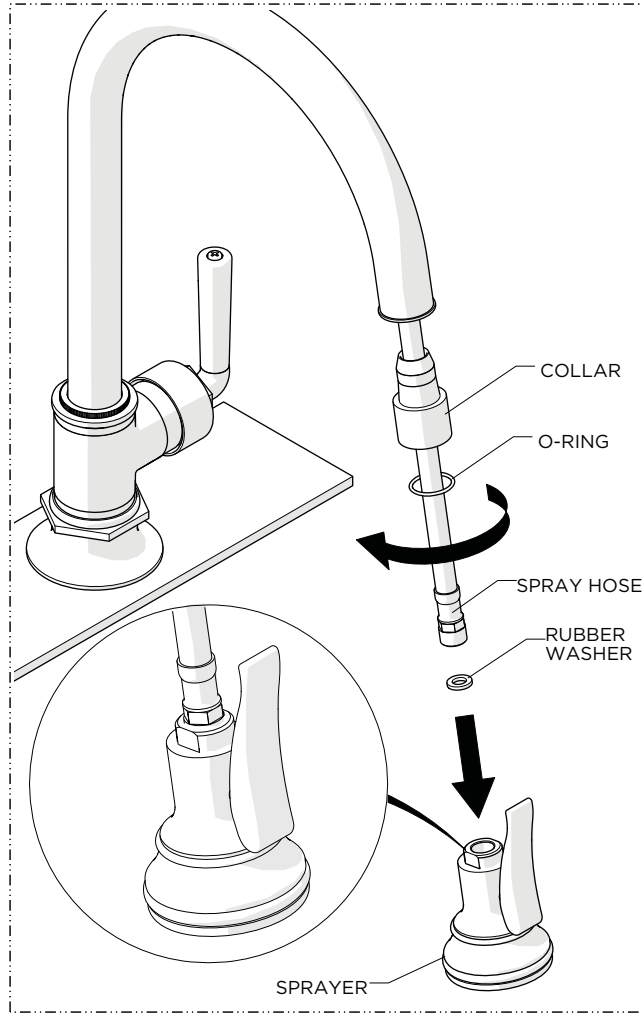


STYLE No. HNKM70, HN70KM

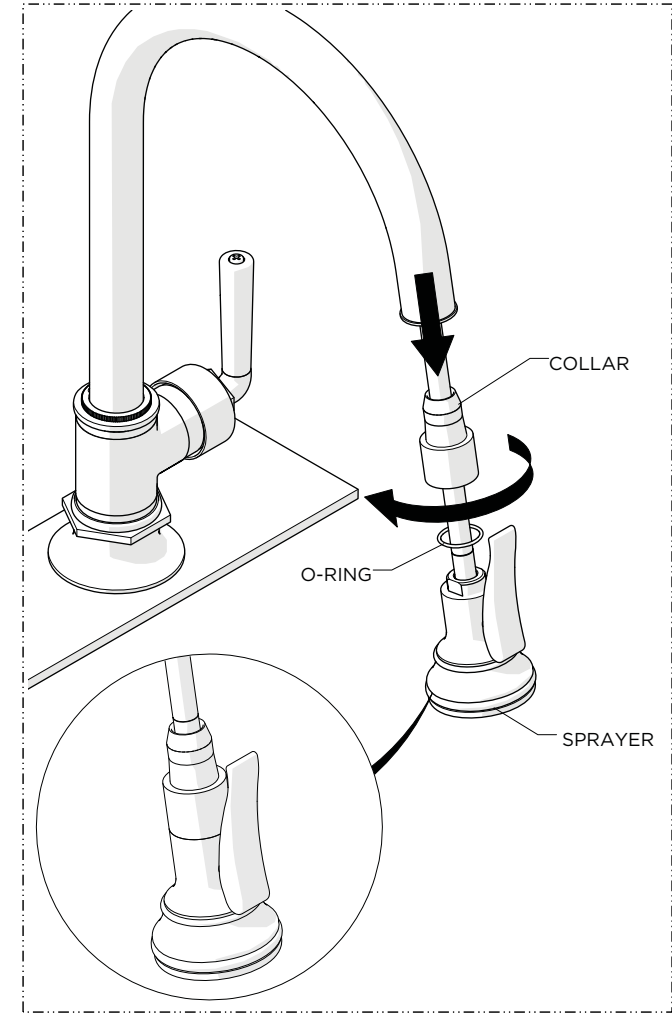
Henry One Hole Gooseneck Kitchen Faucet with Pull-Down Spray and Metal Lever Handle



10. Unthread and remove the COLLAR and O-RING from the top of the SPRAYER then slide the COLLAR and O-RING over the SPRAY HOSE.



11. Thread and securely tighten the SPRAY HOSE into the SPRAYER using the RUBBER WASHER provided.



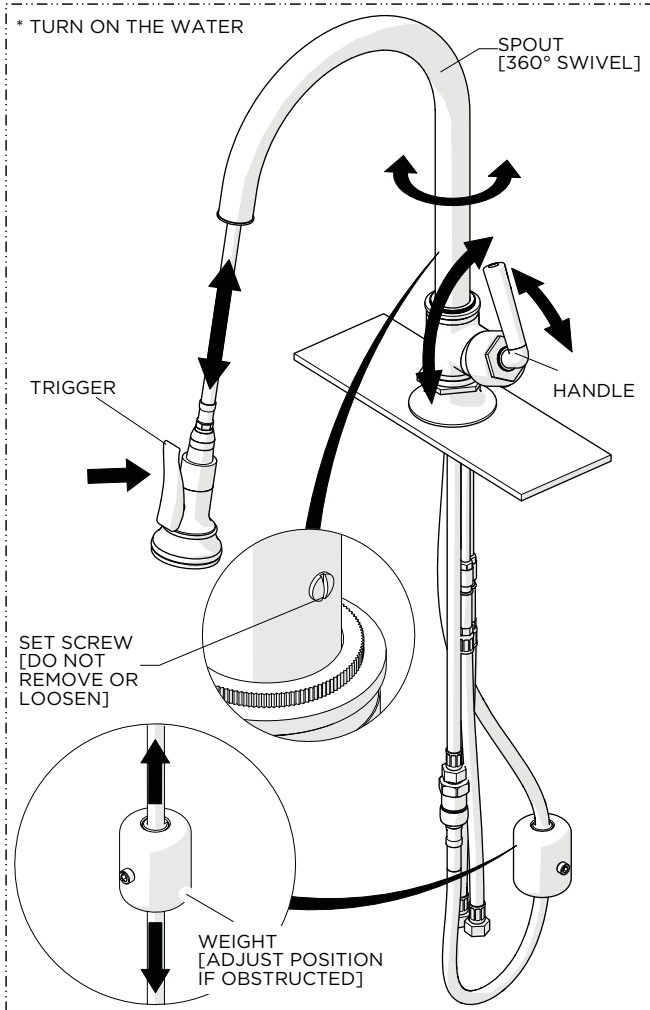
12. Thread and securely tighten the COLLAR back onto the SPRAYER making sure to include the O-RING.

INSTALLATION GUIDELINES



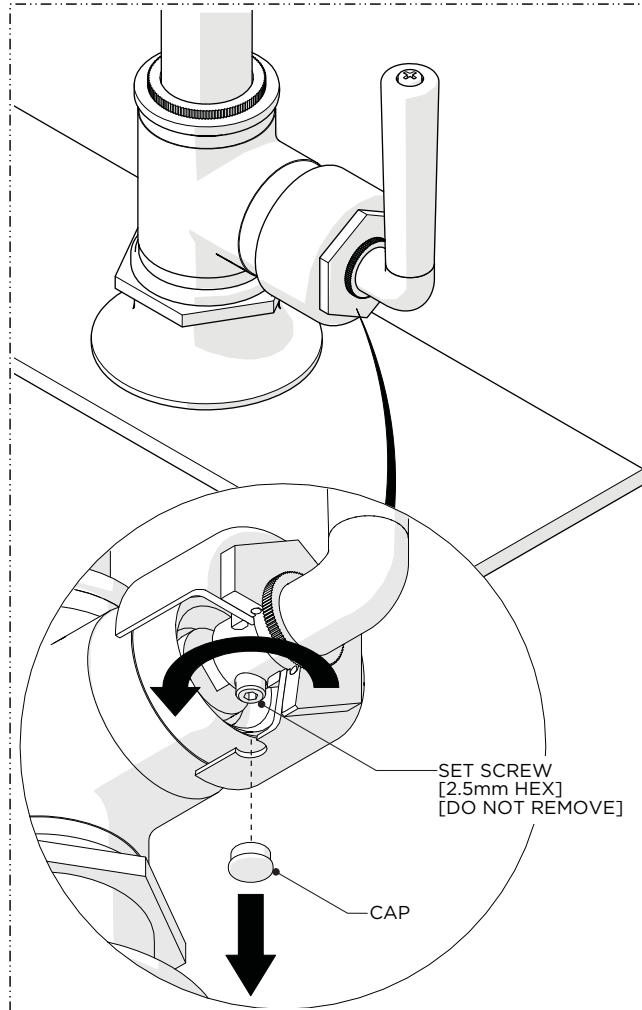
STYLE No. HNKM70, HN70KM

Henry One Hole Gooseneck Kitchen Faucet with Pull-Down Spray and Metal Lever Handle



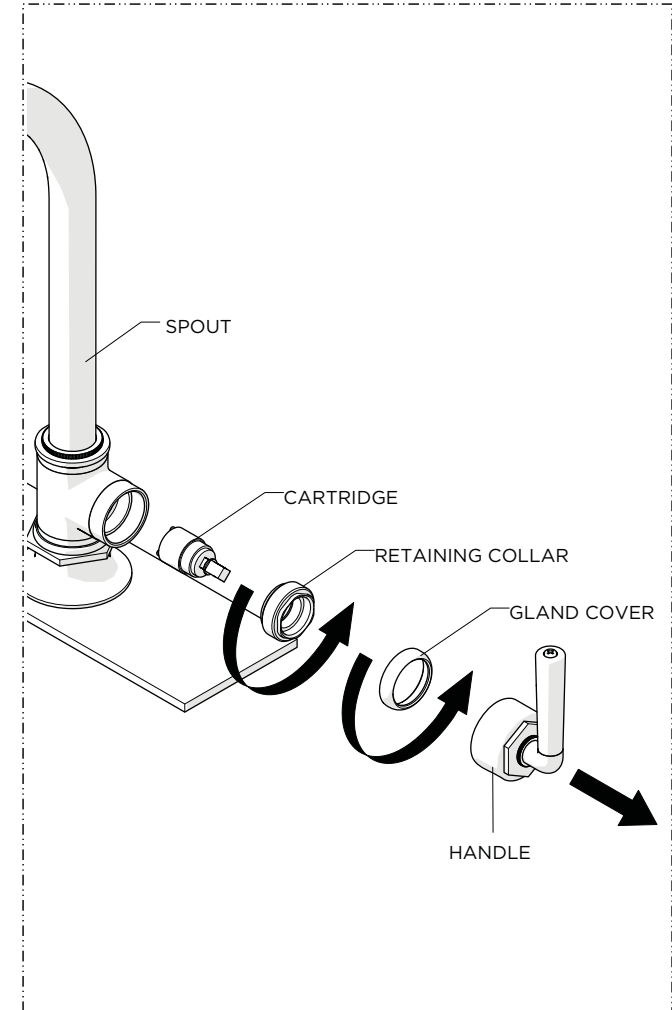
13. Turn on the water and operate the SPRAYER to ensure it functions properly making sure the WEIGHT can move freely beneath the cabinet and the SPOUT is able to swivel properly. Adjust the position of the WEIGHT if necessary.

**NOTE:** Do NOT loosen or remove the SET SCREW at the base of the SPOUT.



**SERVICING THE CARTRIDGE:**

1. Remove the CAP at the base of the HANDLE then unthread, but do NOT remove, the SET SCREW using the 2.5mm HEX KEY.



2. Remove the HANDLE, unthread and remove the GLAND COVER, unthread and remove the RETAINING COLLAR then remove the CARTRIDGE.