

INSTALLATION GUIDELINES

IMPORTANT

- To ensure this product is installed properly, you must read and follow these guidelines.
- The owner/user of this product must keep this information for future reference.
- This product must be installed by a professional licensed contractor.
- Be sure your installation conforms to federal, state, and local codes. In the State of Massachusetts, all installations must comply with the rules and regulations set forth within 248 CMR.
- Inspect this product to ensure you have all the parts required for proper installation. Product is sold partially assembled but shown fully disassembled for illustrative and service purposes only.
- Use only a strap wrench or protected/smooth-jaw wrench on any finished surface.
- The use of certain plumber's putty may stain stone or tile surfaces.
- If further assistance is required, please contact Product Support at 1-800-927-2120 Monday through Friday, 8am - 6pm EST.
- Refer to the separate Service Parts Documents for available replacement parts.

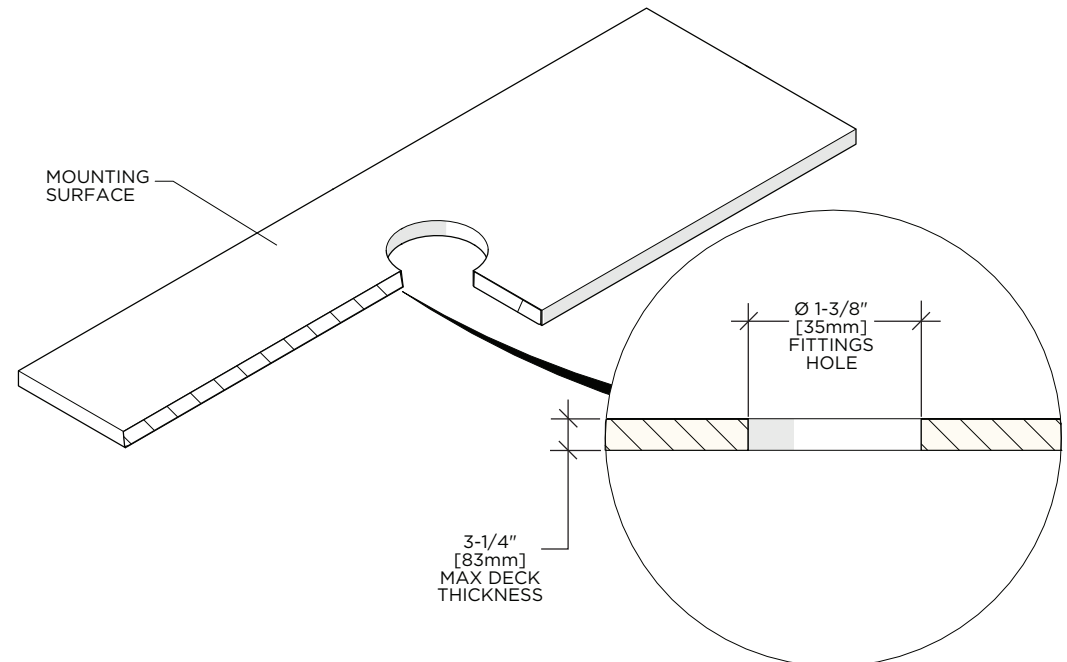


STYLE No. HNKM90, HN90KM
Henry One Hole Gooseneck Kitchen Faucet, with Pull-Down Spray and Metal Lever Handle

TECHNICAL DETAILS

DETAIL	SPECIFICATION
ADJUSTABLE VERSUS FIXED SPRAY	ADJUSTABLE
HANDLE TURN ANGLE	TILT AND TURN
INLET CONNECTION	3/8" COMPRESSION CONNECTOR HOSES †
SPOUT REACH	7-9/16" [193mm]
SPOUT SWIVEL	YES
SPRAY HOSE LENGTH	49" [1.2m]
SPRAY INCLUDED IN UNIT	YES
WATER PRESSURE RANGE	20psi [1.5 bar] MIN 85psi [6.0 bar] MAX
WATER PRESSURE RECOMMENDED	45psi [3.0 bar]

† UK Style No., HN90KM is supplied with 2 BSPP adapters, assembly required.

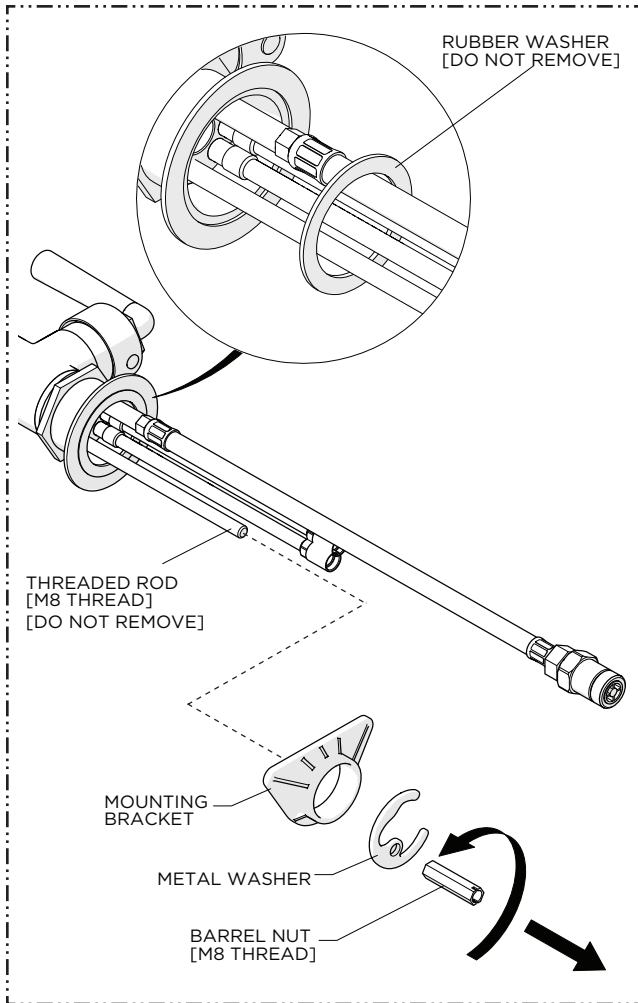


WATERWORKS

INSTALLATION GUIDELINES

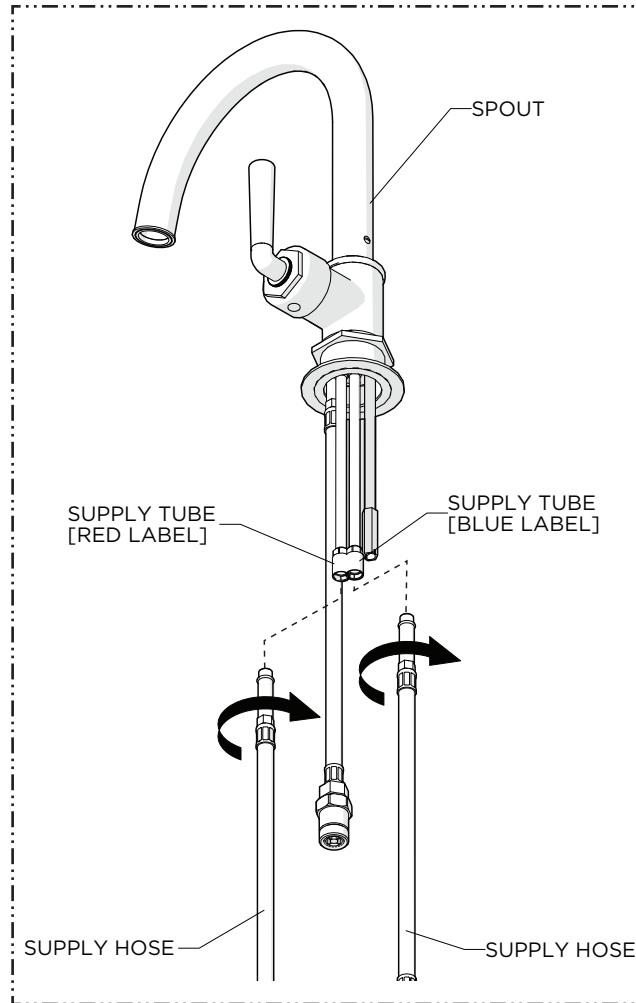


STYLE No. HNKM90, HN90KM
Henry One Hole Gooseneck Kitchen Faucet, with Pull-Down Spray and Metal Lever Handle



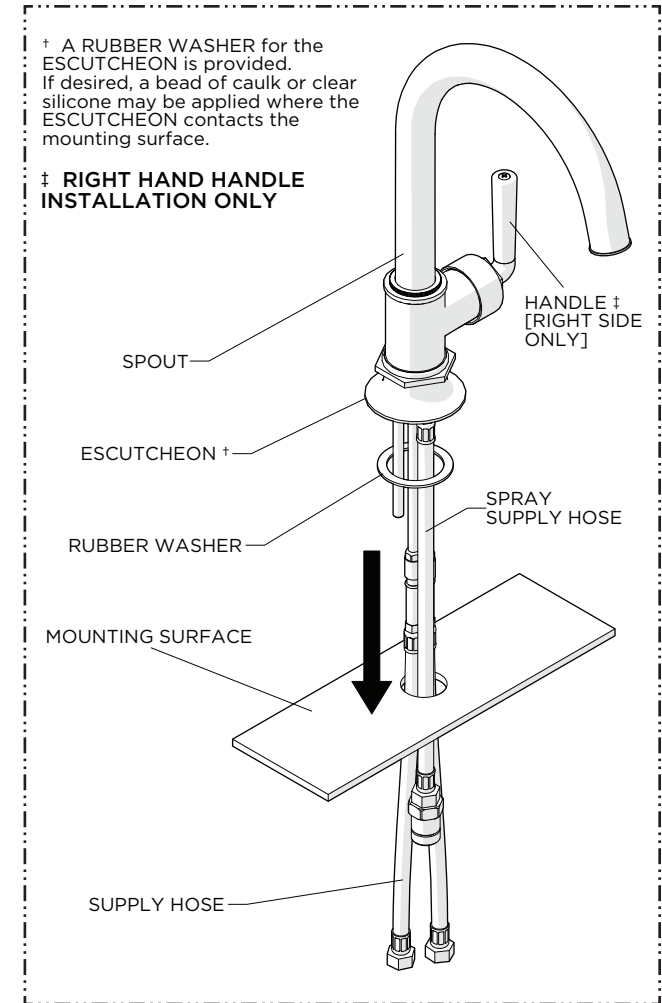
1. Unthread and remove the BARREL NUT from the THREADED ROD, then remove the METAL WASHER and MOUNTING BRACKET.

NOTE: Do **NOT** remove THREADED ROD or RUBBER WASHER beneath the ESCUTCHEON.



2. Thread and securely tighten the SUPPLY HOSES onto the SUPPLY TUBES installed on the SPOUT.

NOTE: The HOSES are M10 x 3/8" COMPRESSION CONNECTOR HOSES and the SUPPLY TUBES are marked BLUE for cold and RED for hot.



† A RUBBER WASHER for the ESCUTCHEON is provided. If desired, a bead of caulk or clear silicone may be applied where the ESCUTCHEON contacts the mounting surface.

‡ **RIGHT HAND HANDLE INSTALLATION ONLY**

3. Insert the SPOUT through the hole on the mounting surface making sure the RUBBER WASHER provided is beneath the ESCUTCHEON and the HANDLE is aligned on the RIGHT SIDE of the SPOUT.

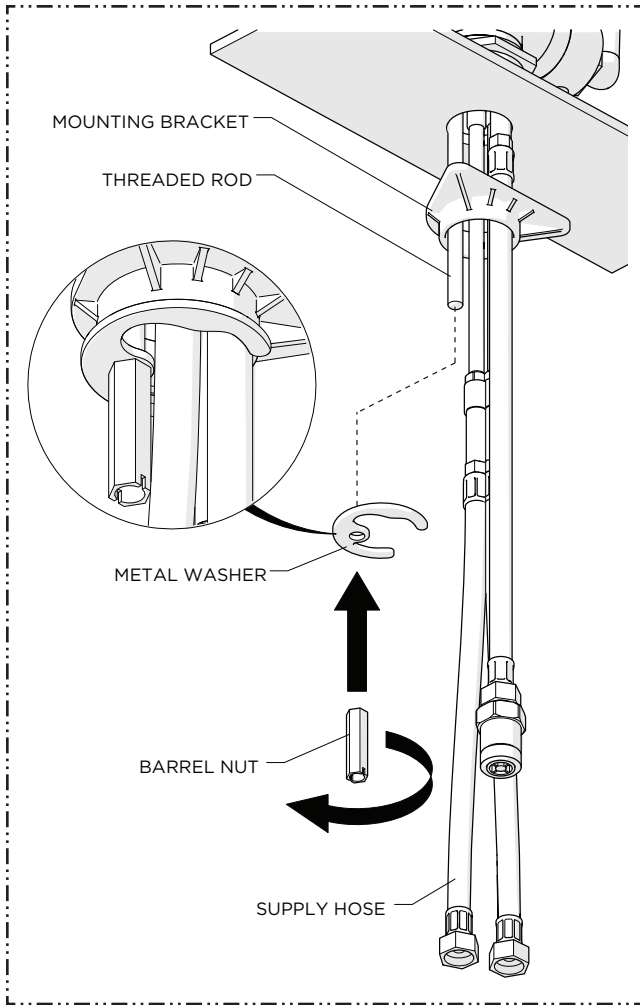
NOTE: The HANDLE can **ONLY** be installed on the RIGHT SIDE.

WATERWORKS

INSTALLATION GUIDELINES

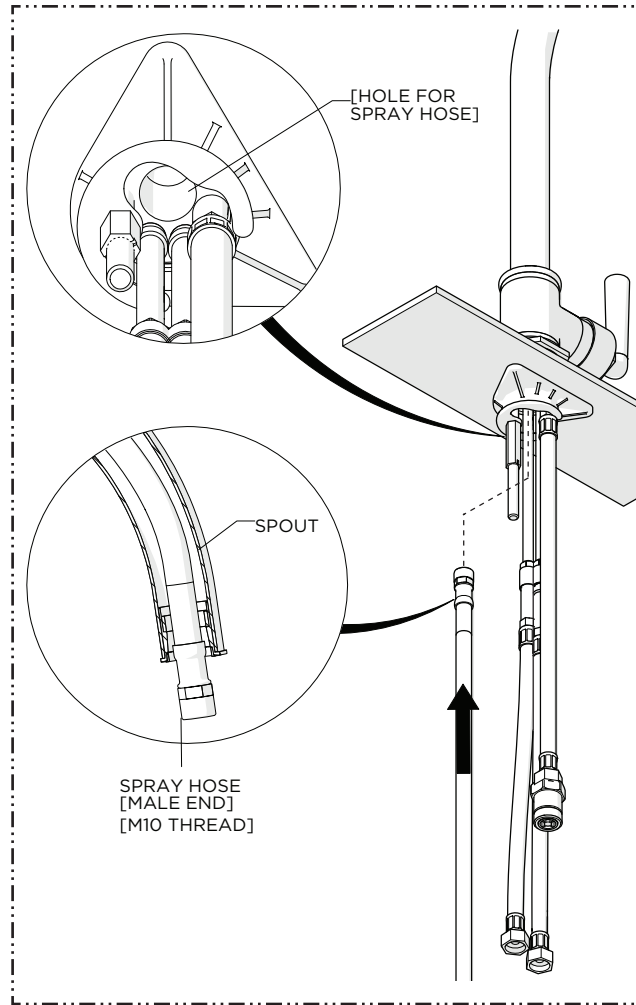


STYLE No. HNKM90, HN90KM
Henry One Hole Gooseneck Kitchen Faucet, with Pull-Down Spray and Metal Lever Handle

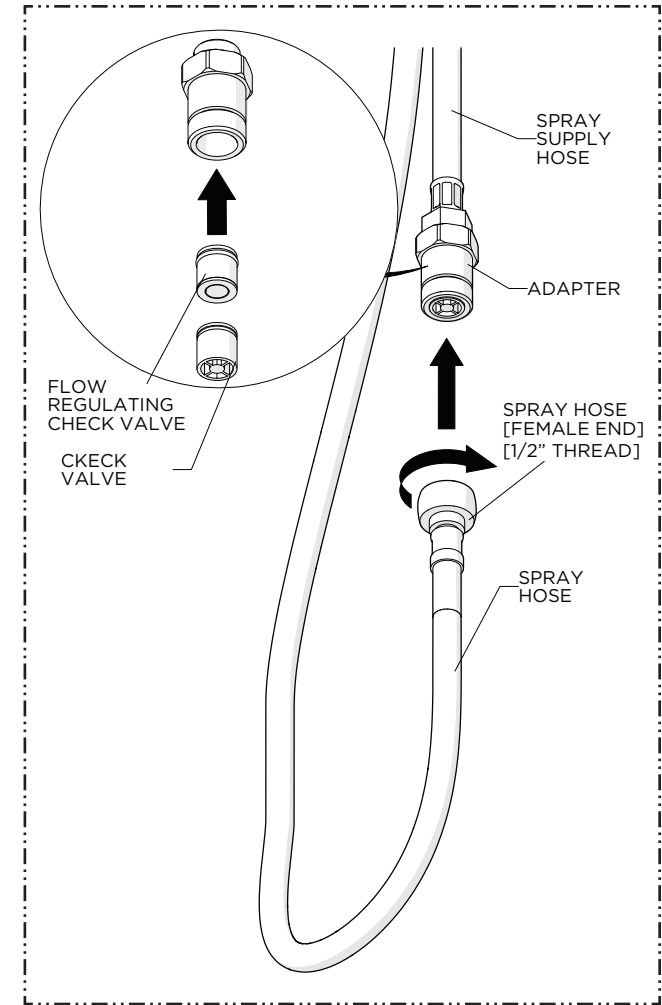


4. Slide the MOUNTING BRACKET over the HOSES and THREADED ROD, place the METAL WASHER onto the THREADED ROD then thread and securely tighten the BARREL NUT onto the THREADED ROD.

NOTE: Ensure the METAL WASHER fits properly around the HOSES.



5. Insert the MALE END of the NYLON SPRAY HOSE through the bottom of the SPOUT until it protrudes from the end of the SPOUT.



6. Thread and securely tighten the FEMALE END of the NYLON SPRAY HOSE to the SUPPLY HOSE using the ADAPTER provided.

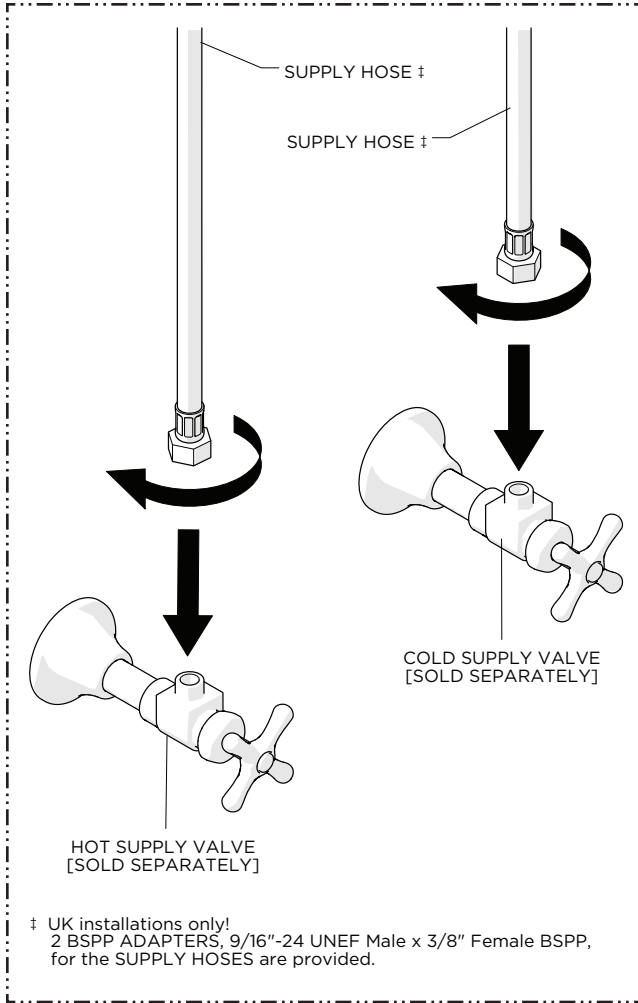
NOTE: A FLOW REGULATING CHECK VALVE is located inside the ADAPTER as well as an additional CHECK VALVE.

WATERWORKS

INSTALLATION GUIDELINES

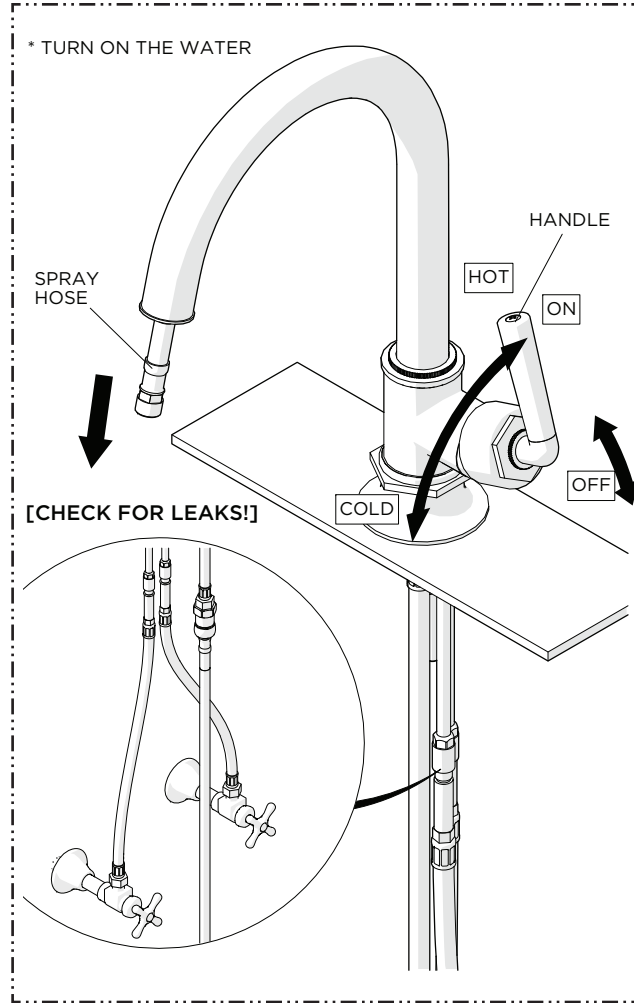


STYLE No. HNKM90, HN90KM
Henry One Hole Gooseneck Kitchen
Faucet, with Pull-Down Spray and
Metal Lever Handle



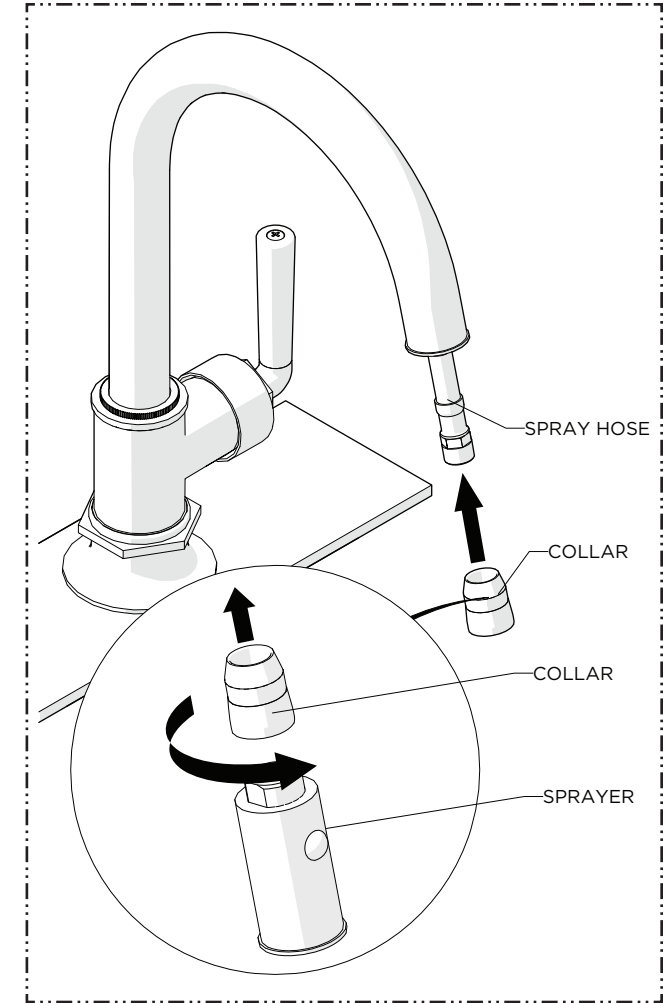
7. Connect the SUPPLY HOSES to the SUPPLY VALVES [sold separately].

NOTE: The HOSES are connected to SUPPLY TUBES that are marked BLUE for cold and RED for hot.



8. Turn on the water and operate the HANDLE to ensure it functions properly and to flush out any debris in the supply lines then check all connections for leaks and turn off the water.

CAUTION: Flush out the supply lines prior to installing the SPRAYER.



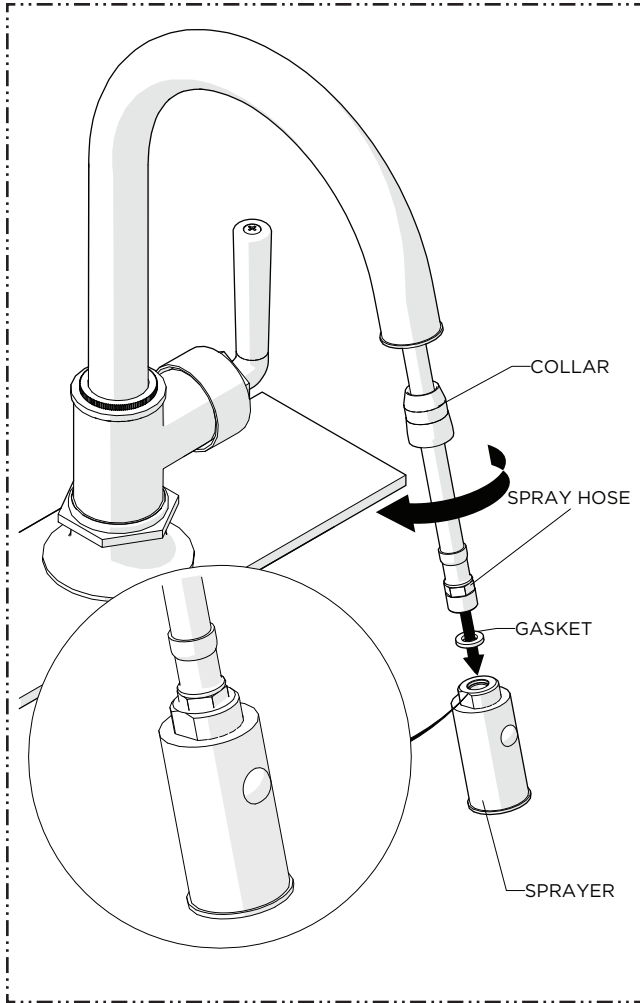
9. Unthread and remove the COLLAR from the top of the SPRAYER then slide the COLLAR over the SPRAY HOSE.

WATERWORKS

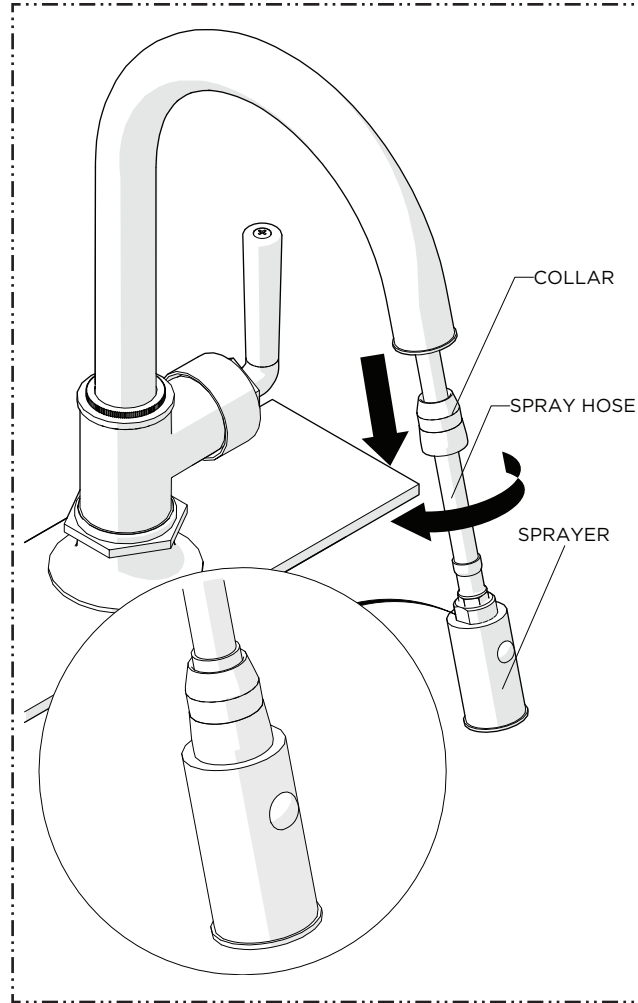
INSTALLATION GUIDELINES



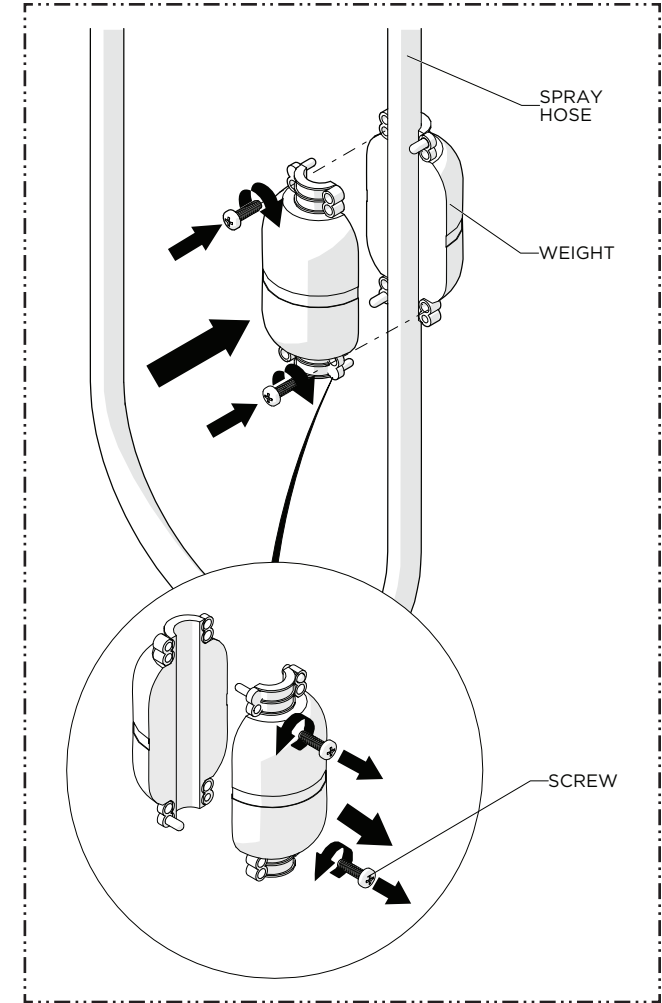
STYLE No. HNKM90, HN90KM
Henry One Hole Gooseneck Kitchen
Faucet, with Pull-Down Spray and
Metal Lever Handle



10. Thread and securely tighten the SPRAY HOSE into the SPRAYER using the GASKET provided.



11. Thread and securely tighten the COLLAR back onto the SPRAYER.



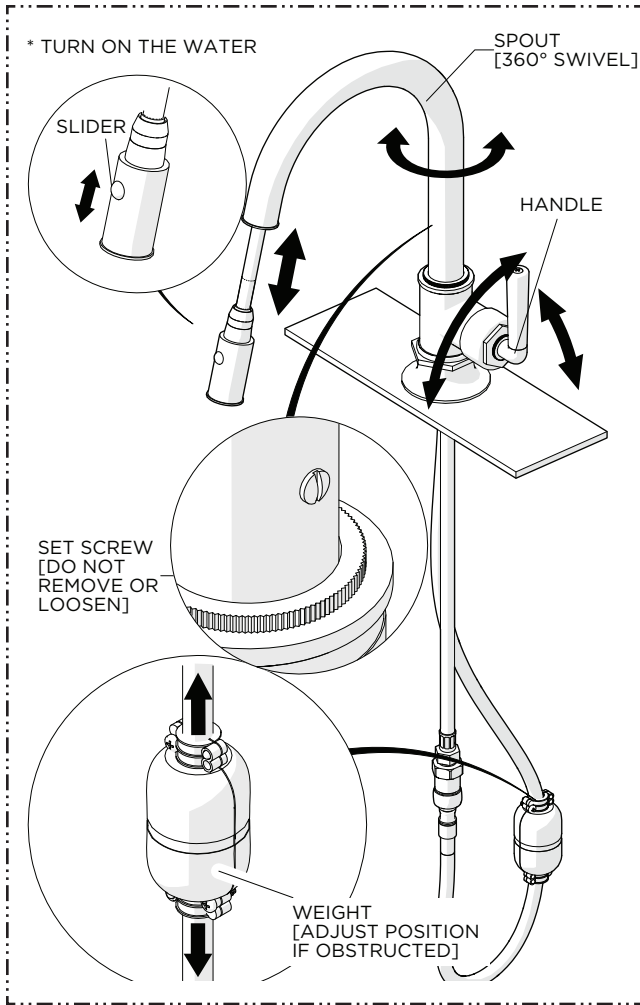
12. Loosen and remove the SCREWS on the WEIGHT using a Phillips head screwdriver, separate the two parts of the WEIGHT, place around the SPRAY HOSE then tighten the SCREWS to secure the WEIGHT in the desired position.

WATERWORKS

INSTALLATION GUIDELINES

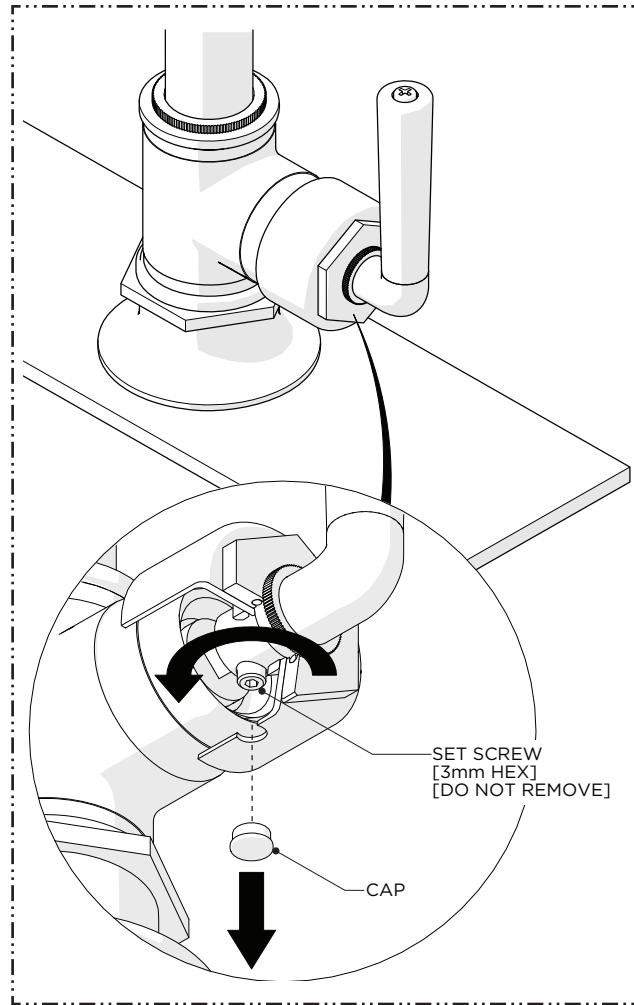


STYLE No. HNKM90, HN90KM
Henry One Hole Gooseneck Kitchen
Faucet, with Pull-Down Spray and
Metal Lever Handle



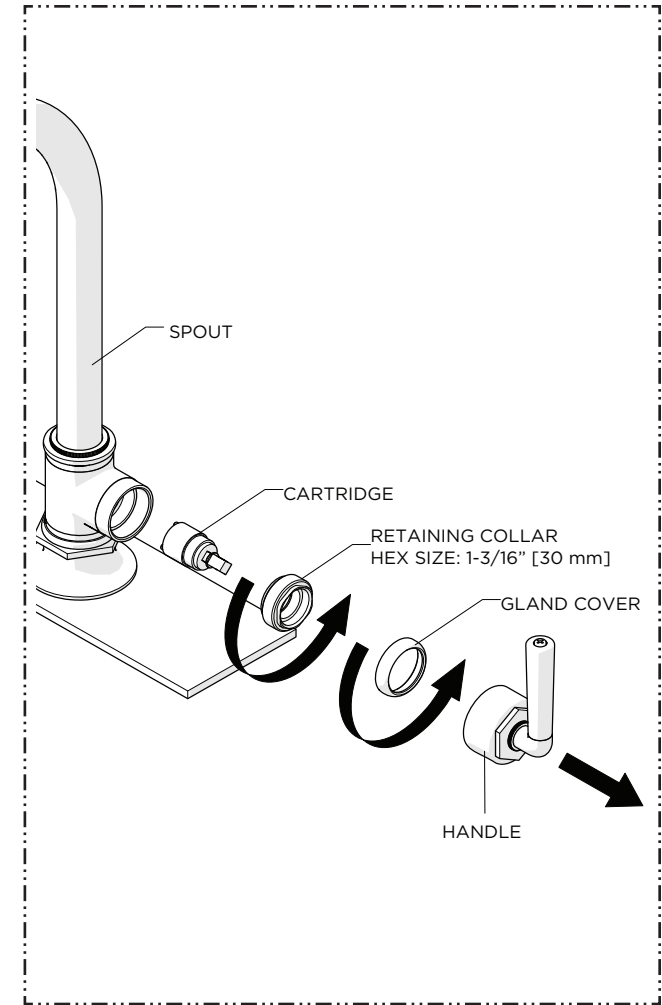
13. Turn on the water and operate the SPRAYER to ensure it functions properly making sure the WEIGHT can move freely beneath the cabinet and the SPOUT is able to swivel properly. Adjust the position of the WEIGHT if necessary.

NOTE: Do **NOT** loosen or remove the SET SCREW at the base of the SPOUT.



SERVICING THE CARTRIDGE

1. Remove the CAP at the base of the HANDLE then unthread, but do NOT remove, the SET SCREW using the 3mm HEX KEY.



2. Remove the HANDLE, unthread and remove the GLAND COVER, unthread and remove the RETAINING COLLAR then remove the CARTRIDGE.