

HENRY

HNLS03

Henry Low Profile Three Hole Deck Mounted Lavatory Faucet with Portoro Cylinders and Metal Cross Handles



SHOWN IN HENRY LOW PROFILE THREE HOLE DECK MOUNTED LAVATORY FAUCET WITH PORTORO CYLINDERS AND METAL

TECHNICAL DETAILS

Adjustable versus Fixed Spray: Fixed Spray
 Deck Thickness Maximum: 1 5/8"
 Deck Thickness Minimum: 3/16"
 Drain Depth Maximum: 2 5/8"
 Drain Hole Diameter: 1 3/4"
 Escutcheon Primary Material: Brass
 Fittings Hole Diameter: 1 1/4"
 Flow Restriction Options: 1.0 , 1.2 , 1.5 , 1.75, 2.2
 Handle Spread Maximum: 12"
 Handle Spread Minimum: 8"
 Handle Turn Angle: Quarter Turn
 Depth / Width: 7 5/8"
 Drain Depth Minimum: 3/8"
 Height: 3 5/8"
 Inlet Connection Size: 1/2"
 Inlet Connection Type: Male with Supply Nut
 Inlet Supply Spread Maximum: 12"
 Inlet Supply Spread Minimum: 8"
 Installation Type: Deck Mounted
 Integrated Diverter: N
 Integrated Spray: N
 Number of Handles: Two
 Number of Holes: Three Hole
 Primary Material: Brass
 Spout Swivel: N
 Spray Included in Unit: N
 Suggested Application: Bath
 Valve Material: Ceramic
 Water Pressure Maximum: 85.0 psi
 Water Pressure Minimum: 20.0 psi
 Water Pressure Recommended: 45.0 psi

INSPIRATION

Influenced by the connection of industry and art Henry easily transitions between modern, traditional, utilitarian and classic settings.

CODES & STANDARDS

Code # HNLS03X: Complies with ASME A112.18.1/CSA B125.1, ASME A112.18.2 / CSA B125.2, NSF, CEC 61, ADA and 0.25% Weighted Average Lead Content. Certified with IAPMO, cUPC, NSF, CEC and State of MA.

PRODUCT FEATURES

Portoro is a marble from Italy and available in a polished finish.

The manufacturing process encompasses casting, turning, forging, hand-fitting and hand polishing.

Portoro features elegant veining in shades of grey and gold that is a natural material so some variances will occur, making each piece unique.

Standard flow rate is 2.2gpm (8.3 L/min) and State of California requires 1.2gpm(4.5 L/min). Also available in other flow options. Contact a sales associate for details.

CERTIFICATIONS

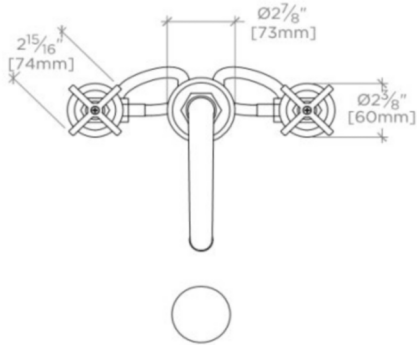


WATERWORKS

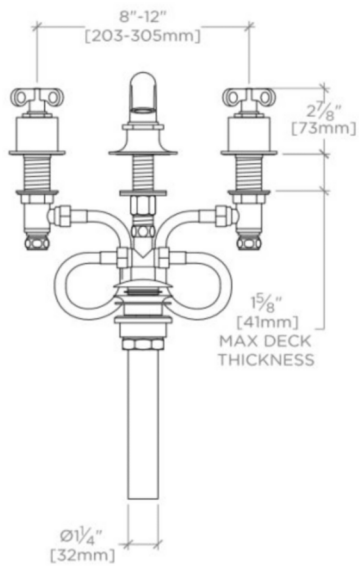
HENRY

HNLS03

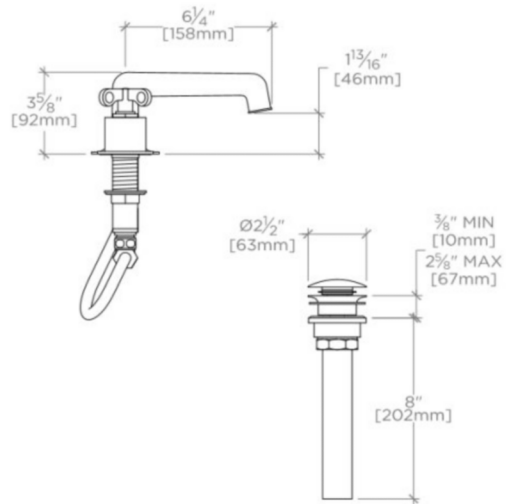
Henry Low Profile Three Hole Deck Mounted Lavatory Faucet with Portoro Cylinders and Metal Cross Handles



TOP VIEW SCALE: 1 1/2" = 1'-0"



FRONT VIEW SCALE: 1 1/2" = 1'-0"



SIDE VIEW SCALE: 1 1/2" = 1'-0"