



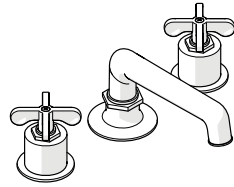
ESTB. 1978

WATERWORKS

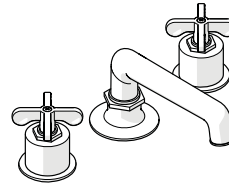
SERVICE PARTS

HENRY

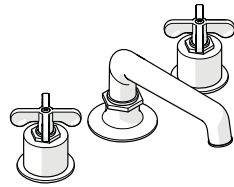
Low Profile Three Hole Deck Mounted Lavatory Faucet



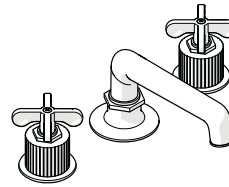
STYLE HNLS01
with Metal Cross Handles



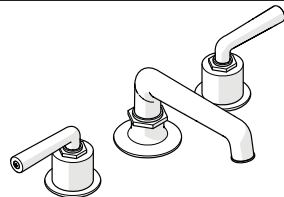
STYLE HNLS02
with Teak Cylinder
and Metal Cross Handles



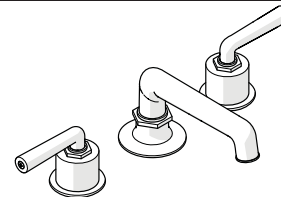
STYLE HNLS03
with Portoro Cylinder
and Metal Cross Handles



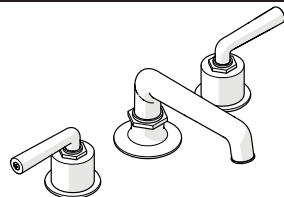
STYLE HNLS04
with Coin Edge Cylinder
and Metal Cross Handles



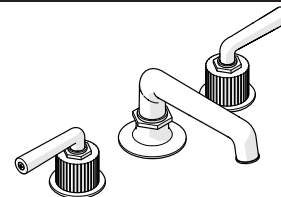
STYLE HNLS10
with Metal Lever Handles



STYLE HNLS11
with Teak Cylinder
and Metal Lever Handles



STYLE HNLS12
with Portoro Cylinder
and Metal Lever Handles



STYLE HNLS13
with Coin Edge Cylinder
and Metal Lever Handles

WELCOME TO

WATERWORKS

For over three decades, Waterworks has transformed the bath through an absolute commitment to design authenticity, innovation and quality. A blend of scholarly appreciation and applied experience guarantees mechanical integrity, meticulous craftsmanship, and timeless designs.

**TO ORDER PARTS CALL
1 (800) 927-2120 (EXT 2)**

Order by part number and specify color, finish, or other options if required.

PRODUCT SUPPORT

Our Product Support team provides troubleshooting and technical problem resolution, including replacement parts and installation recommendations throughout the life of your product.

Product Support is available Monday through Friday, 8AM-6PM EST.

**LIMITED LIFETIME
WARRANTY**

Our warranty covers repair and replacement of Waterworks products if within the applicable coverage period and deemed defective by Waterworks. Waterworks will, at its option, repair or replace such products; this does not include installation costs, labor charges, or other incidental or consequential costs.

To obtain your complete warranty or inquire about warranty service, please visit us at www.waterworks.com or contact our Product Support Team.



ESTB. 1978

WATERWORKS

STYLES: **HNLS01, HNLS02, HNLS03, HNLS04, HNLS10, HNLS11, HNLS12, HNLS13**

MAIN KITS

103715*
SPOUT

103717*
CROSS HANDLE

103935*
CROSS HANDLE WITH
TEAK CYLINDER

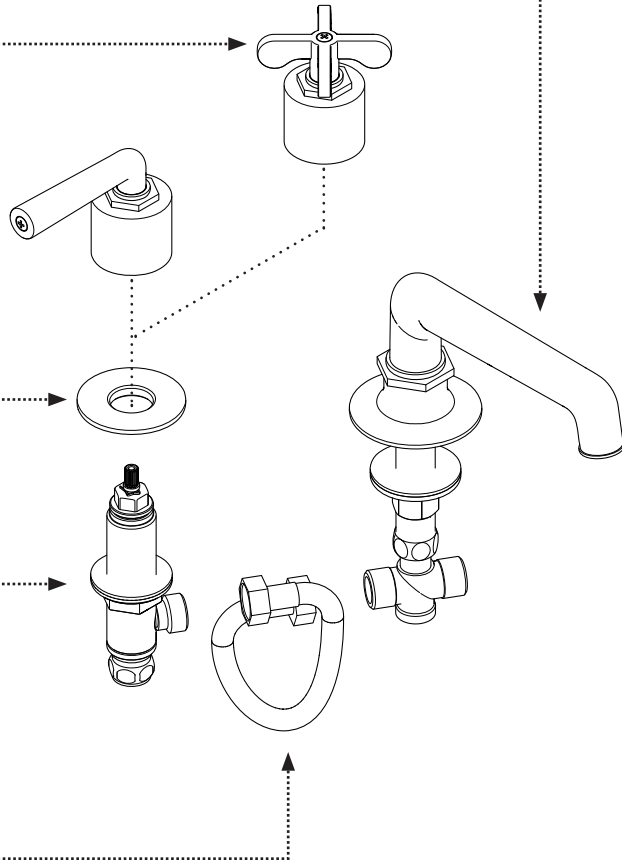
103936*
CROSS HANDLE WITH
PORTORO CYLINDER

103937*
CROSS HANDLE WITH
COIN EDGE CYLINDER

103714*
ESCUTCHEON

103474
COUNTERCLOCKWISE
ON SIDEBODY

103475
HOSE



*FINISH/COLOR MUST BE SPECIFIED WHEN ORDERING
++SUPPLIED AS A PAIR

103713*
LEVER HANDLE

103938*
LEVER HANDLE WITH
TEAK CYLINDER

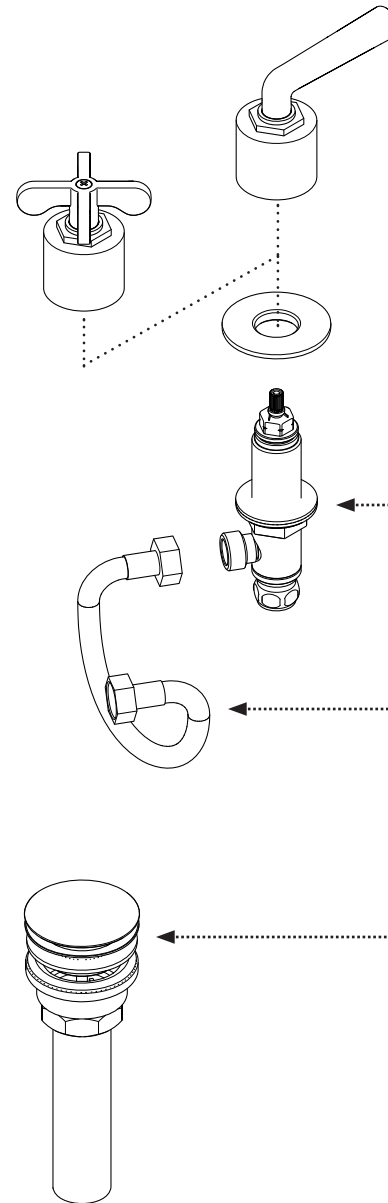
103939*
LEVER HANDLE WITH
PORTORO CYLINDER

103940*
LEVER HANDLE WITH
COIN EDGE CYLINDER

103474
COUNTERCLOCKWISE ON SIDEBODY
103504
CLOCKWISE ON SIDEBODY
[LEVER HANDLE ONLY]

103475
HOSE

103693*
DRAIN



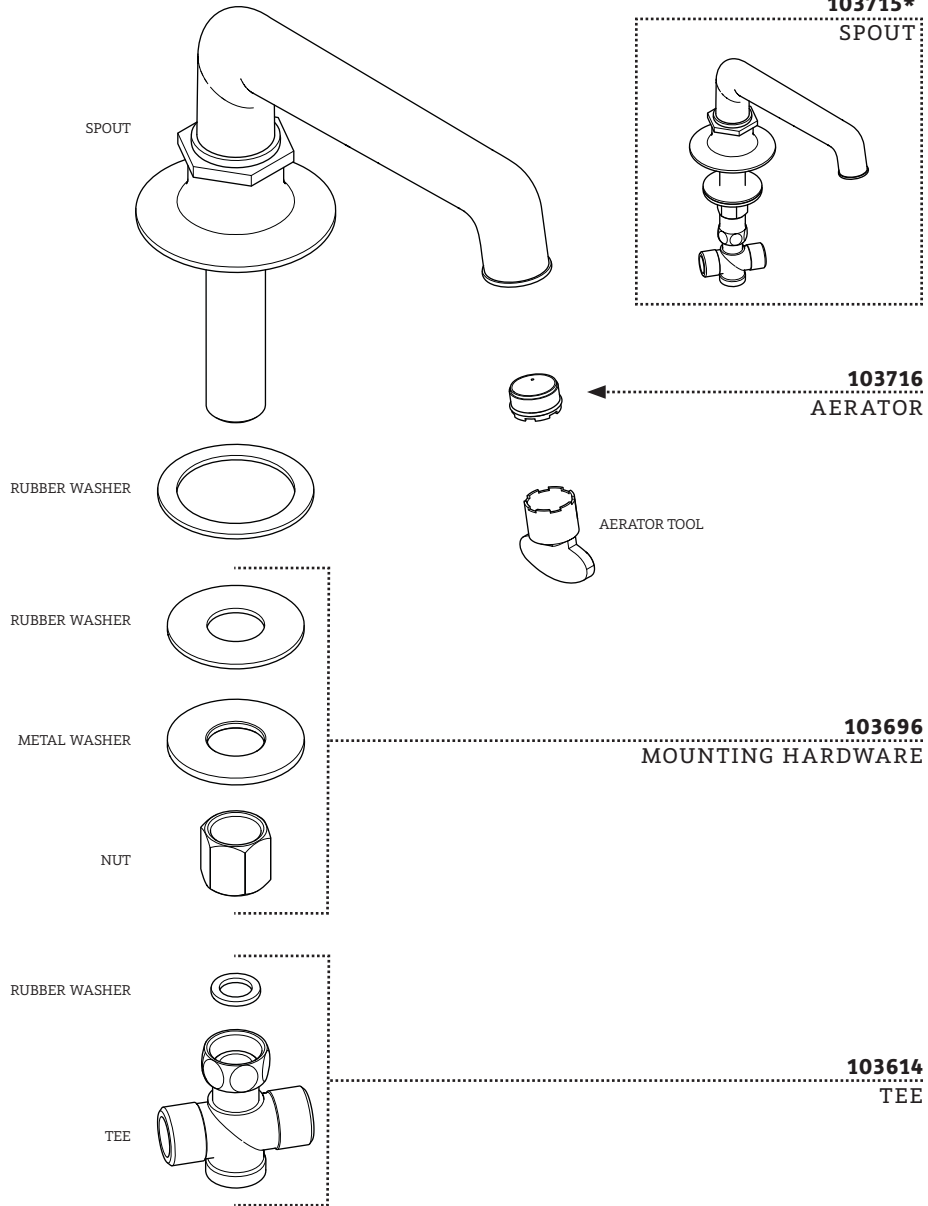


ESTB. 1978

WATERWORKS

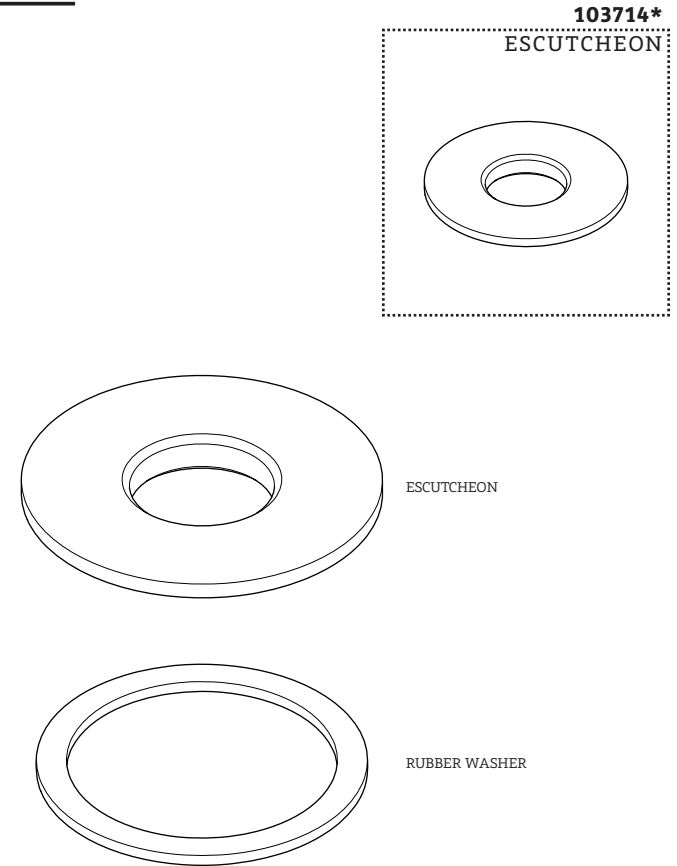
STYLES: **HNLS01, HNLS02, HNLS03, HNLS04, HNLS10, HNLS11, HNLS12, HNLS13**

KIT COMPONENTS



*FINISH/COLOR MUST BE SPECIFIED WHEN ORDERING
++SUPPLIED AS A PAIR

KIT COMPONENTS





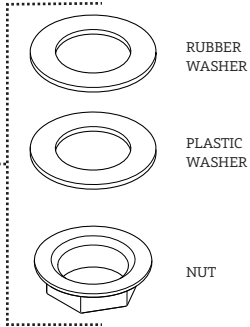
ESTB. 1978

WATERWORKS

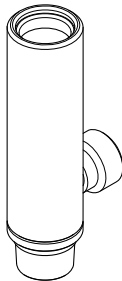
KIT COMPONENTS

**STYLES: HNLS01, HNLS02, HNLS03, HNLS04,
HNLS10, HNLS11, HNLS12, HNLS13**

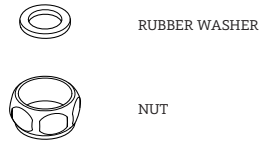
103471
MOUNTING HARDWARE



337847
COUNTERCLOCKWISE ON
CARTRIDGE



SIDEBODY

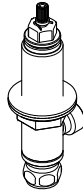
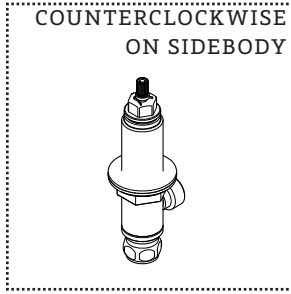


RUBBER WASHER

NUT

103474

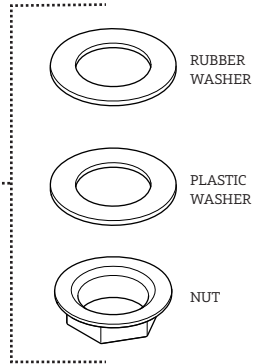
COUNTERCLOCKWISE
ON SIDEBODY



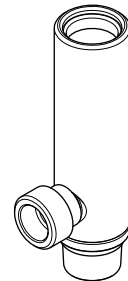
*FINISH/COLOR MUST BE SPECIFIED WHEN ORDERING
++SUPPLIED AS A PAIR

KIT COMPONENTS

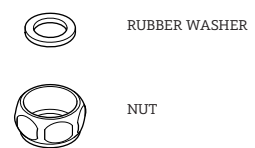
103471
MOUNTING HARDWARE



258790
CLOCKWISE ON
CARTRIDGE



SIDEBODY

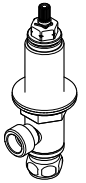
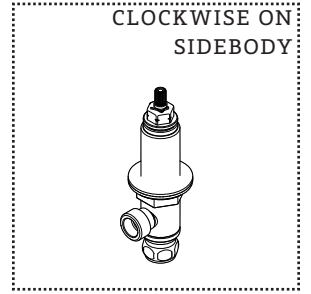


RUBBER WASHER

NUT

103504

CLOCKWISE ON
SIDEBODY





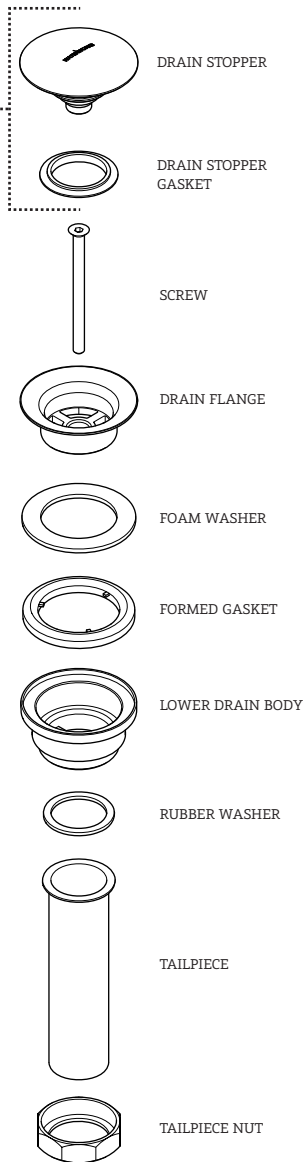
ESTB. 1978

WATERWORKS

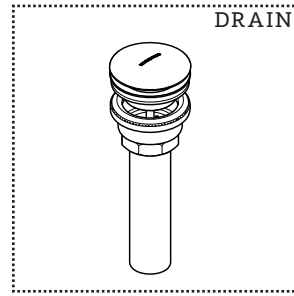
KIT COMPONENTS

STYLES: **HNLS01, HNLS02, HNLS03, HNLS04, HNLS10, HNLS11, HNLS12, HNLS13**

103692*
DRAIN STOPPER



103693*



*FINISH/COLOR MUST BE SPECIFIED WHEN ORDERING
++SUPPLIED AS A PAIR

SERVICE PARTS INDEX

<u>STYLE</u>	<u>DESCRIPTION</u>	<u>PG</u>
103716	AERATOR	4
258790	CLOCKWISE ON CARTRIDGE	7
103504	CLOCKWISE ON SIDEBODY	7
337847	COUNTERCLOCKWISE ON CARTRIDGE	6
103474	COUNTERCLOCKWISE ON SIDEBODY	6
103717*	CROSS HANDLE	2
103937*	CROSS HANDLE WITH COIN EDGE CYLINDER	2
103936*	CROSS HANDLE WITH PORTORO CYLINDER	2
103935*	CROSS HANDLE WITH TEAK CYLINDER	2
103693*	DRAIN	8
103692*	DRAIN STOPPER	8
103714*	ESCUTCHEON	5
103475	HOSE	3
103713*	LEVER HANDLE	3
103940*	LEVER HANDLE WITH COIN EDGE CYLINDER	3
103939*	LEVER HANDLE WITH PORTORO CYLINDER	3
103938*	LEVER HANDLE WITH TEAK CYLINDER	3
103696	MOUNTING HARDWARE	4
103471	MOUNTING HARDWARE	7
103715*	SPOUT	4

DOCUMENT: SPHN01_REV01



ESTB. 1978

WATERWORKS

**STYLES: HNLS01, HNLS02, HNLS03, HNLS04,
HNLS10, HNLS11, HNLS12, HNLS13**

SERVICE PARTS INDEX

<u>STYLE</u>	<u>DESCRIPTION</u>	<u>PG</u>
103614	TEE	4

*FINISH/COLOR MUST BE SPECIFIED WHEN ORDERING
++SUPPLIED AS A PAIR

NOTES



ESTB. 1978

WATERWORKS

**STYLES: HNLS01, HNLS02, HNLS03, HNLS04,
HNLS10, HNLS11, HNLS12, HNLS13**

NOTES

*FINISH/COLOR MUST BE SPECIFIED WHEN ORDERING
++SUPPLIED AS A PAIR

NOTES



ESTB. 1978

WATERWORKS

PRODUCT SUPPORT

60 BACKUS AVENUE

DANBURY, CT 06810

1 (800) 927-2120 (EXT 2)

WWW.WATERWORKS.COM