

## HENRY

## HNLS21

Henry Gooseneck Three Hole Deck Mounted Lavatory Faucet with Teak Cylinders and Metal Cross Handles



SHOWN IN HENRY GOOSENECK THREE HOLE DECK MOUNTED LAVATORY FAUCET WITH TEAK CYLINDERS AND METAL

### TECHNICAL DETAILS

Adjustable versus Fixed Spray: Fixed Spray  
 Deck Thickness Maximum: 1 5/8"  
 Deck Thickness Minimum: 3/16"  
 Drain Depth Maximum: 2 5/8"  
 Drain Hole Diameter: 1 3/4"  
 Escutcheon Primary Material: Brass  
 Fittings Hole Diameter: 1 1/4"  
 Flow Restriction Options: 1.0 , 1.2 , 1.5 , 1.75, 2.2  
 Handle Spread Maximum: 12"  
 Handle Spread Minimum: 8"  
 Handle Turn Angle: Quarter Turn  
 Depth / Width: 7 13/16"  
 Drain Depth Minimum: 3/8"  
 Height: 9"  
 Inlet Connection Size: 1/2"  
 Inlet Connection Type: Male with Supply Nut  
 Inlet Supply Spread Maximum: 12"  
 Inlet Supply Spread Minimum: 8"  
 Installation Type: Deck Mounted  
 Integrated Diverter: N  
 Integrated Spray: N  
 Number of Handles: Two  
 Number of Holes: Three Hole  
 Primary Material: Brass  
 Spout Swivel: N  
 Spray Included in Unit: N  
 Suggested Application: Bath  
 Valve Material: Ceramic  
 Water Pressure Maximum: 85.0 psi  
 Water Pressure Minimum: 20.0 psi  
 Water Pressure Recommended: 45.0 psi

### INSPIRATION

Influenced by the connection of industry and art Henry easily transitions between modern, traditional, utilitarian and classic settings.

### CODES & STANDARDS

Code # HNLS21X: Complies with ASME A112.18.1/CSA B125.1, ASME A112.18.2 / CSA B125.2, NSF, CEC 61, ADA and 0.25% Weighted Average Lead Content. Certified with IAPMO, cUPC, NSF, CEC and State of MA.

### PRODUCT FEATURES

Teak is an organic, natural hardwood originating from Southeast Asia

The manufacturing process encompasses casting, turning, forging, hand-fitting and hand polishing.

Standard flow rate is 2.2gpm (8.3 L/min) and State of California requires 1.2gpm(4.5 L/min). Also available in other flow options. Contact a sales associate for details.

### CERTIFICATIONS

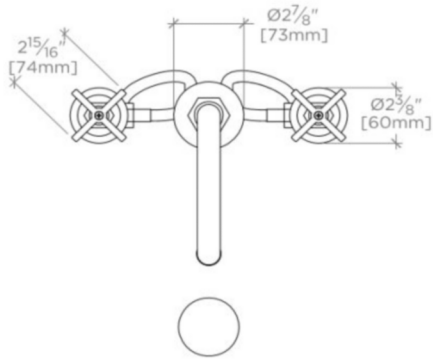


# WATERWORKS

## HENRY

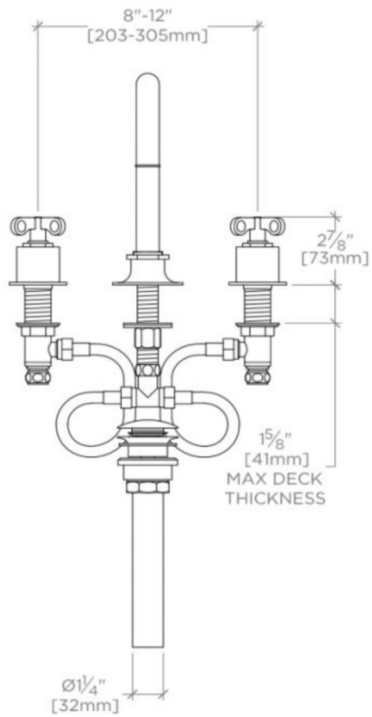
HNLS21

Henry Gooseneck Three Hole Deck Mounted Lavatory Faucet with Teak Cylinders and Metal Cross Handles



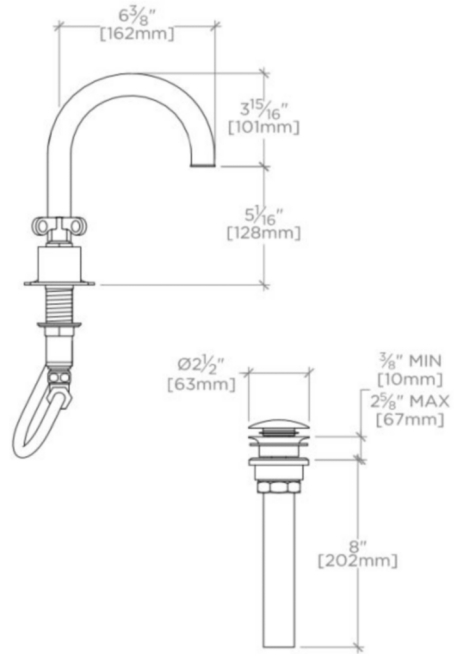
TOP VIEW

SCALE:  $1\frac{1}{2}$ "=1'-0"



FRONT VIEW

SCALE:  $1\frac{1}{2}$ "=1'-0"



SIDE VIEW

SCALE:  $1\frac{1}{2}$ "=1'-0"