

**36" CORNER SHOWER BASE**

- High-Gloss Acrylic-Capped ABS with Polyurethane Reinforcement
- Uses Standard Shower Drain with 4 1/4" Strainer
- Textured Bottom
- 10 Year Limited Residential Warranty
- 1 Year Limited Commercial Warranty

Submitted Model No.: \_\_\_\_\_

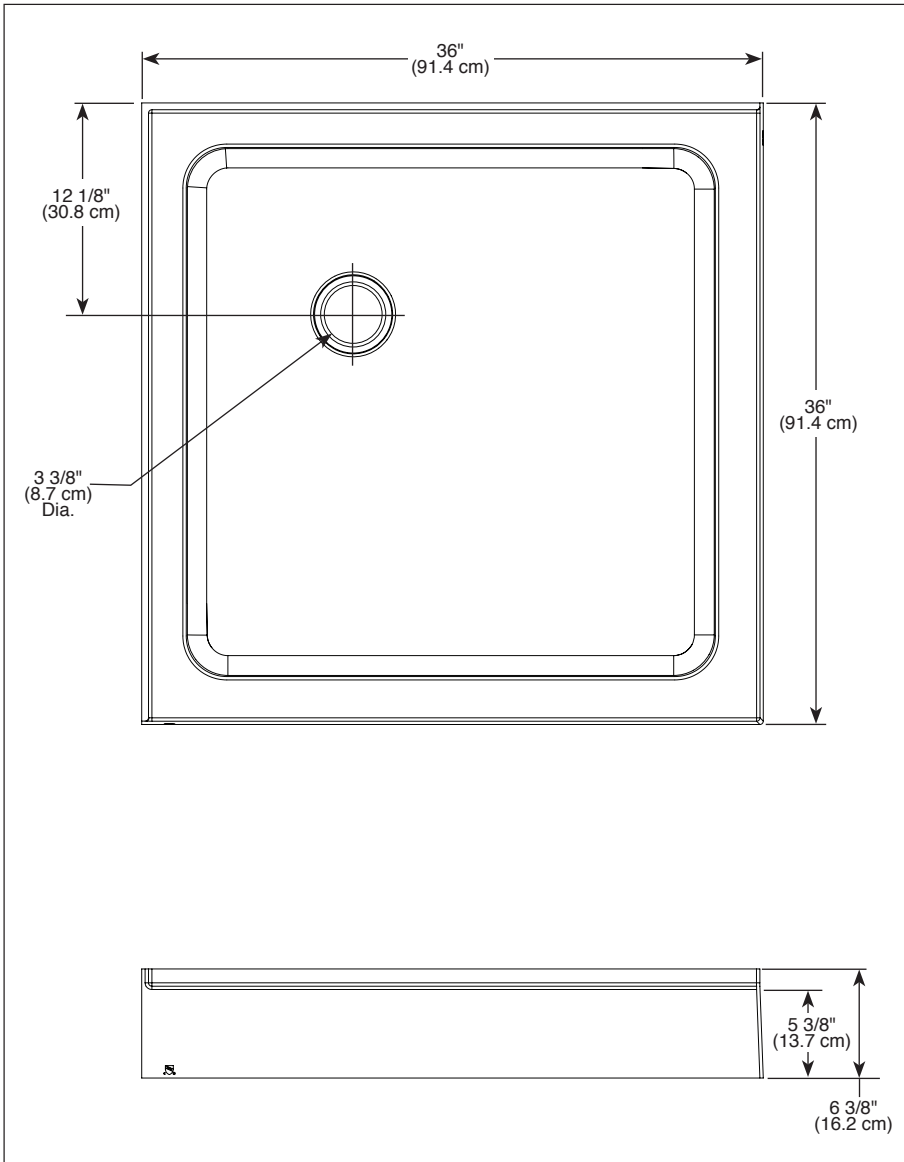
Specific Features: \_\_\_\_\_

**COLOR/FINISH:**

- White

**COMPLIES WITH:**

- CSA B45.5 / IAPMO Z124



55 E 111th Street, Indianapolis, Indiana 46280  
 350 South Edgeware Road, St. Thomas, ON N5P 4L1  
 © 2016 Masco Corporation of Indiana