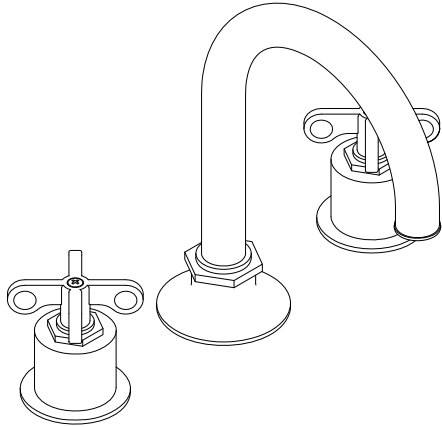


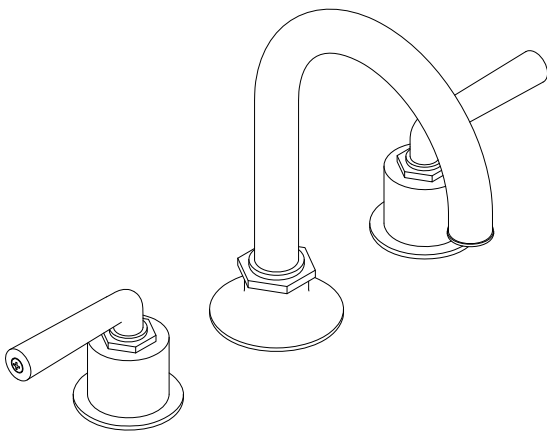
HNLS20: Metal Cross Handles



IMPORTANT:

- To ensure this product is installed properly, you must read and follow these guidelines.
- The owner/user of this product must keep this information for future reference.
- Be sure your installation conforms to all federal, state, and local codes.
- In the State of Massachusetts, all installations must comply with the rules and regulations set forth within 248 CMR.
- This product must be installed by a professional licensed contractor.
- Refer to the specification and assembly drawings attached. Product is sold partially assembled but shown fully disassembled for illustrative and service purposes only.
- Inspect this product to ensure you have all parts required for proper installation.
- Use only a strap wrench or protected/smooth-jaw wrench on any finished surface.
- DO NOT use putty on deck fittings. Upper and lower washers are provided.

HNLS30: Metal Lever Handles



SPECIFICATIONS:

Drain Depth Maximum: $2\frac{5}{8}$ "
Drain Depth Minimum: $\frac{3}{8}$ "
Drain Hole Diameter: $1\frac{3}{4}$ "
Drain Style: Push Touch (Drain Included)
Handle Spread Maximum: 12"
Handle Spread Minimum: 8"
Inlet Connection Size: $\frac{1}{2}$ "
Inlet Connection Type: Male with supply nut
Maximum Deck Thickness: $1\frac{5}{8}$ "
Minimum Deck Thickness: $\frac{7}{16}$ "
Maximum Water Pressure: 80psi
Minimum Water Pressure: 20psi
Fittings Hole Diameter: $1\frac{1}{4}$ "
Recommended Water Pressure: 45psi
Restricted Maximum Flow Rate: 2.2gpm

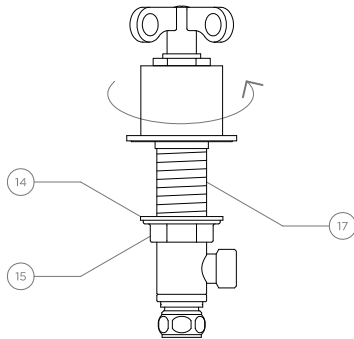
These guidelines have been prepared for the professional contractor to aid in the installation of:
HENRY GOOSENECK THREE HOLE DECK MOUNTED LAVATORY FAUCET WITH METAL CROSS HANDLES (HNLS20) AND METAL LEVER HANDLES (HNLS30).
All dimensions are based on origin specification and are subject to change and variation.
Please consult your Design Associate for current specifications.

WATERWORKS

HANDLE INSTALLATION:

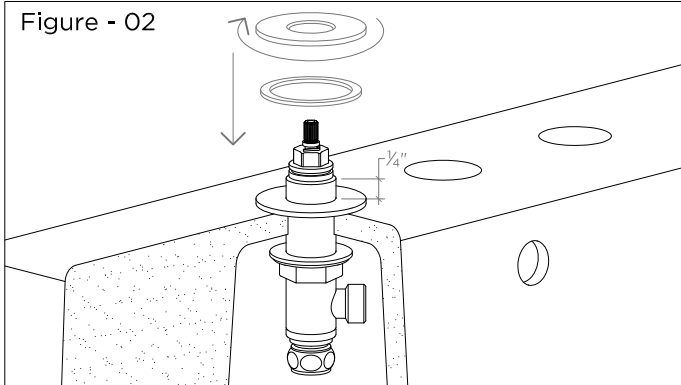
1. Remove the handle assembly (1-11), escutcheon (12) and upper gasket (13) from the side body (17). Do not remove the lower gasket (14) and lock nut (15).
NOTE: The screws (1) on the top of the cross handles and the end of the lever handles are aesthetic and do not serve any mechanical purpose and should not be removed.

Figure - 01



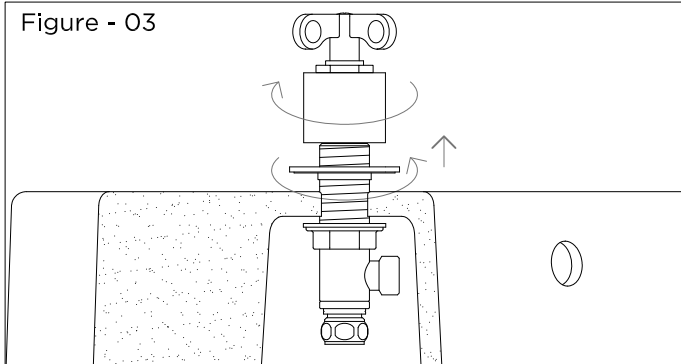
2. Thread the lock nut (15) all the way down and insert the side body (17) into the hole of the mounting surface then reinstall the escutcheon (12) making sure the upper gasket (13) is in place and leaving $\frac{1}{4}$ " of exposed threads above the escutcheon.

Figure - 02



3. Thread the handle assembly (1-11) back onto the side body then unthread the escutcheon (12) until it contacts the bottom of the gland cover (8).

Figure - 03



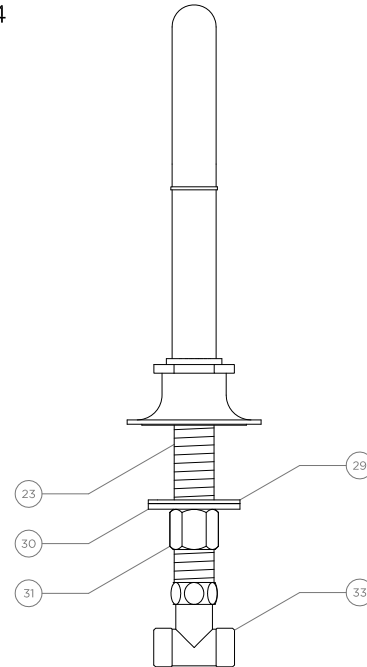
4. Tighten the lock nut (15) up against the bottom of the mounting surface to secure the handle.

5. Repeat steps 1-4 to install the second side body.

SPOUT INSTALLATION:

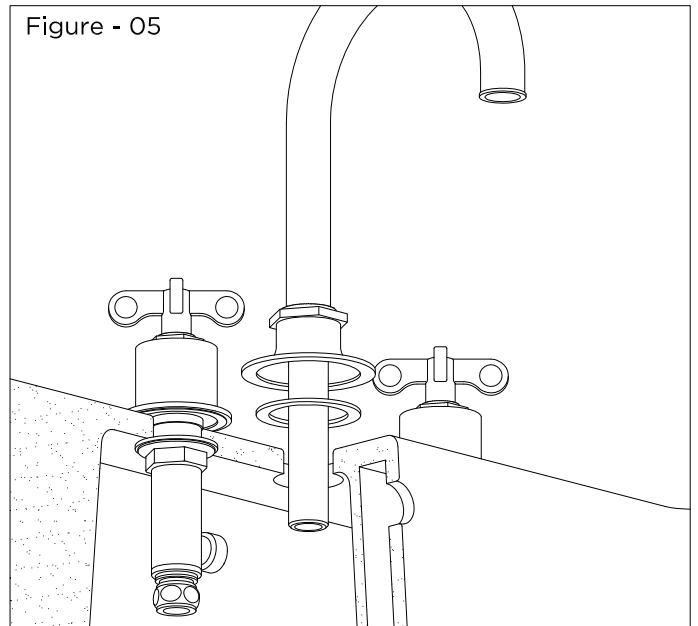
6. Remove the tee (33), rubber washer (32) and mounting hardware (29-31) from the spout (23).

Figure - 04



7. Insert the spout into the hole on the mounting surface making sure the upper gasket (28) is underneath the escutcheon (26).

Figure - 05



These guidelines have been prepared for the professional contractor to aid in the installation of:
HENRY GOOSENECK THREE HOLE DECK MOUNTED LAVATORY FAUCET WITH METAL CROSS HANDLES (HNLS20) AND METAL LEVER HANDLES (HNLS30).

All dimensions are based on origin specification and are subject to change and variation.
Please consult your Design Associate for current specifications.

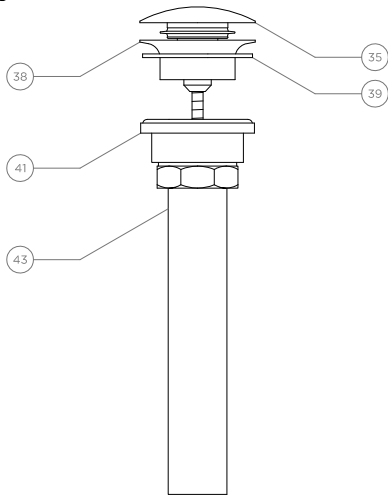
WATERWORKS

8. Reinstall the mounting hardware (29-31) and tighten the lock nut (31) to the bottom of the mounting surface then reinstall the tee making sure the washer (32) is in the outlet.
9. Connect the supply hoses (34) to the tee then to the adjacent side body. Make sure the hoses are not pinched/kinked.

DRAIN INSTALLATION:

10. Unthread and remove the stopper (35) and lower drain body (41) from the upper drain body (38). The foam washer (39) can be discarded then remove the tailpiece (43) from the lower drain body.

Figure - 06



11. Set the upper drain body (38) in the lavatory drain opening using putty or a clear adhesive silicone depending on the mounting surface material.* Re-install the lower drain body (41) making sure to use the rubber o-ring (40) provided and tighten until fully secured. Putty or a clear adhesive silicone may be used to ensure a water-tight seal between the o-ring and lavatory.*

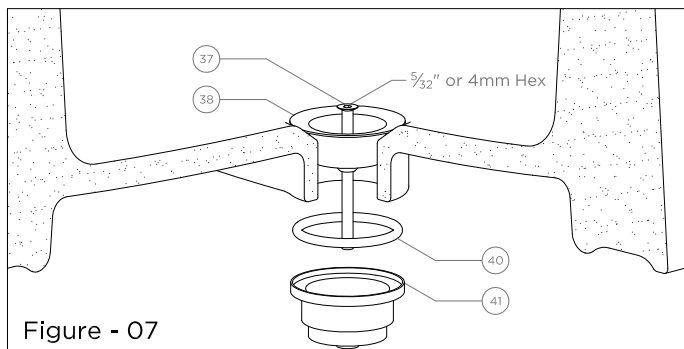


Figure - 07

12. Re-install the tailpiece (43) using the washer (42) and nut (44) provided then re-install the stopper (35).

13. Connect the side bodies (17) to the water supply valves (not supplied).

INSPECT THE INSTALLATION:

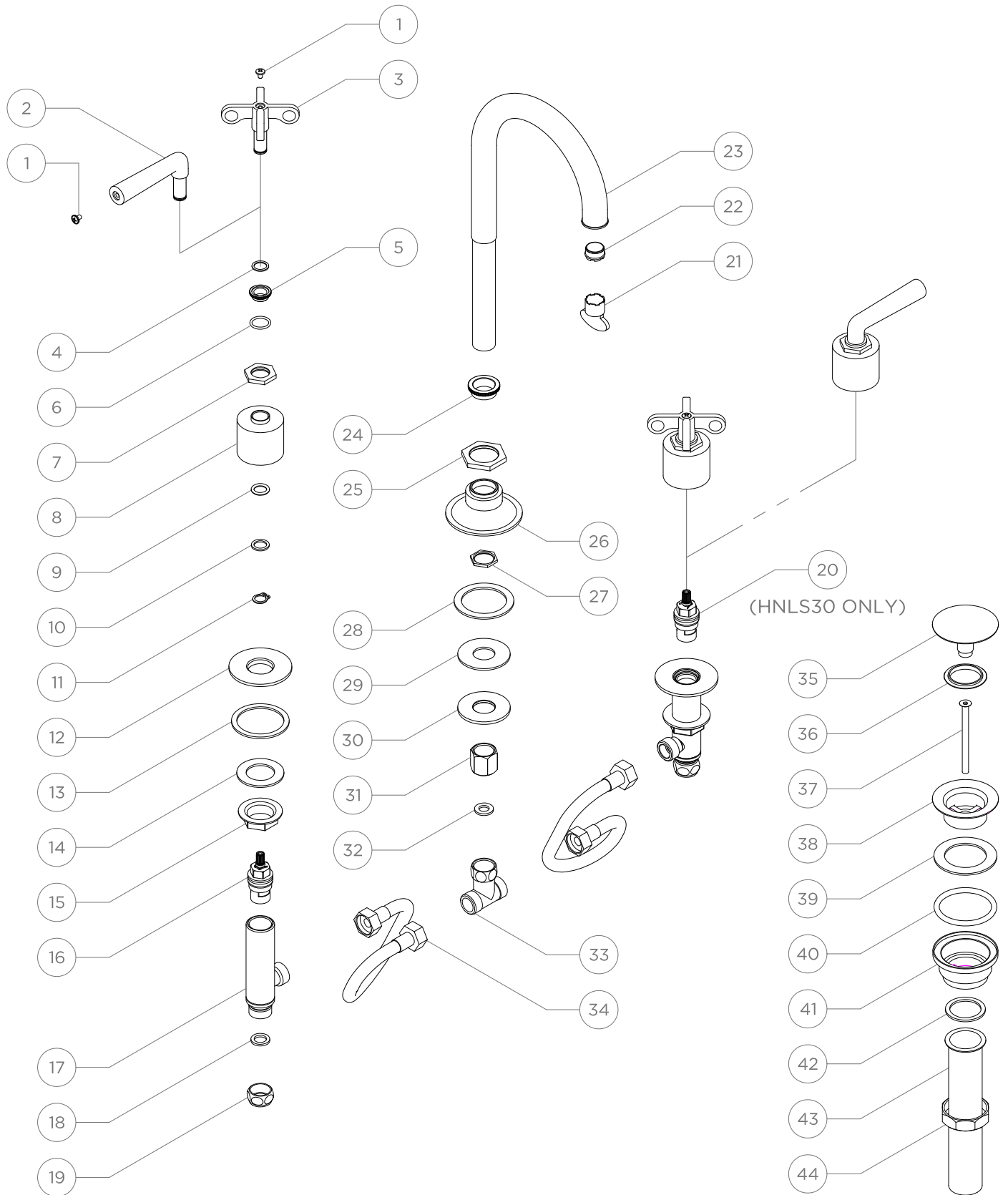
14. Remove the aerator (22) using the key (21) provided then carefully open the hot and cold valves to flush out any debris in the supply lines.
15. Inspect all connections for leaks.
16. Close the drain then fill the sink with water to make sure the drain stopper (35-36) operates and seals properly.
17. Re-install the aerator.

➤ If further assistance is required, please contact Product Support at 1-800-927-2120 Ext. 3 (9am-6pm EST).

* Putty contains oil and can cause permanent discoloration on certain materials such as marble, granite and any porous surface.

These guidelines have been prepared for the professional contractor to aid in the installation of:
HENRY GOOSENECK THREE HOLE DECK MOUNTED LAVATORY FAUCET WITH METAL CROSS HANDLES (HNLS20) AND METAL LEVER HANDLES (HNLS30).
 All dimensions are based on origin specification and are subject to change and variation.
 Please consult your Design Associate for current specifications.

WATERWORKS



These guidelines have been prepared for the professional contractor to aid in the installation of:
HENRY GOOSENECK THREE HOLE DECK MOUNTED LAVATORY FAUCET WITH METAL CROSS HANDLES (HNLS20) AND METAL LEVER HANDLES (HNLS30).

All dimensions are based on origin specification and are subject to change and variation.
 Please consult your Design Associate for current specifications.

WATERWORKS

HNLS01 (Cross Handle)

ITEM NO.	DESCRIPTION	QTY.
3	Cross Handle	2
16	Catridge, Shut-off Valve, CW Close	2

HNLS10 (Lever Handle)

2	Lever Handle	2
16	Catridge, Shut-off Valve, CW Close	1
20	Catridge, Shut-off Valve, CCW Close	1

COMMON PARTS

1	Handle Screw	2
4	Washer, 12.2mm ID x 16mm OD x 1mm Thickness, Plastic	2
5	1 ³ / ₁₆ " Knurled Collar	2
6	O-Ring, 16mm ID x 2mm Width, Rubber	
7	1 ¹ / ₁₆ " Hex Collar	2
8	Gland Cover, Henry	2
9	O-Ring, 12.1mm ID x 2.7mm Width, Rubber	2
10	Washer, 12.3mm ID x 17mm OD x 1.5mm Thickness, Metal	2
11	C-Clip, Metal	2
12	Handle Escutcheon	2
13	Washer, 45mm ID x 55mm OD x 2mm Thickness, Rubber	2
14	Washer, 27.3mm ID x 45mm OD x 2mm Thickness, Rubber	2
15	Lock Nut, Side Body	2
17	Side Body	2
18	Washer, 12mm ID x 18mm OD x 2mm Thickness, Rubber	2
19	Inlet Supply Nut	2
21	Aerator Service Key	1
22	Aerator, 2.2gpm	1
23	Spout	1
24	1 ³ / ₁₆ " Knurled Collar	1
25	1 ¹ / ₂ " Hex Collar	1
26	Spout Escutcheon	1
27	Retaining Nut	1
28	Washer, 43.2mm ID x 57mm OD x 2mm Thickness, Rubber	1
29	Washer, 21mm ID x 50mm OD x 2mm Thickness, Rubber	1
30	Washer, 21mm ID x 50mm OD x 3mm Thickness, Metal	1
31	Lock Nut, Spout	1
32	Washer, 10mm ID x 18mm OD x 2mm Thickness, Rubber	1
33	Tee	1
34	Flexible Supply Hose, 1/2" x 1/2", 12" Length	2
35	Drain Stopper, Push Touch	1
36	Drain Stopper Seal, Rubber	1
37	Drain Screw, 5/32" [4mm] Hex Key	1
38	Upper Drain Body	1
39	Foam Washer	1
40	O-Ring, 50mm ID x 5mm Width, Rubber	1
41	Lower Drain Body	1
42	Washer, 30mm ID x 38mm OD x 2mm Thickness, Rubber	1
43	Tailpiece, 1/4", Metal	1
44	Tailpiece Nut, 44mm Hex, 12mm Height	1

These guidelines have been prepared for the professional contractor to aid in the installation of:
HENRY GOOSENECK THREE HOLE DECK MOUNTED LAVATORY FAUCET WITH METAL CROSS HANDLES (HNLS20) AND METAL LEVER HANDLES (HNLS30).
 All dimensions are based on origin specification and are subject to change and variation.
 Please consult your Design Associate for current specifications.

WATERWORKS



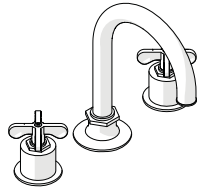
ESTB. 1978

WATERWORKS

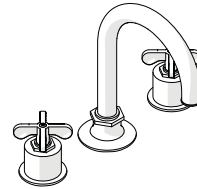
SERVICE PARTS

HENRY

Gooseneck Three Hole Deck Mounted Lavatory Faucet



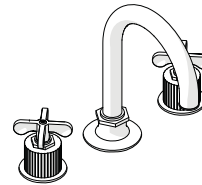
STYLE HNLS20
with Metal Cross Handles



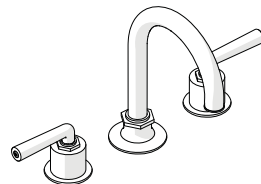
STYLE HNLS21
with Teak Cylinder
and Metal Cross Handles



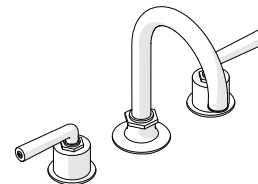
STYLE HNLS22
with Portoro Cylinder
and Metal Cross Handles



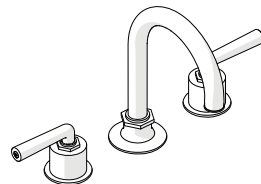
STYLE HNLS23
with Coin Edge Cylinder
and Metal Cross Handles



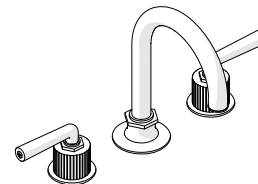
STYLE HNLS30
with Metal Lever Handles



STYLE HNLS31
with Teak Cylinder
and Metal Lever Handles



STYLE HNLS32
with Portoro Cylinder
and Metal Lever Handles



STYLE HNLS33
with Coin Edge Cylinder
and Metal Lever Handles

WELCOME TO

WATERWORKS

For over three decades, Waterworks has transformed the bath through an absolute commitment to design authenticity, innovation and quality. A blend of scholarly appreciation and applied experience guarantees mechanical integrity, meticulous craftsmanship, and timeless designs.

**TO ORDER PARTS CALL
1 (800) 927-2120 (EXT 2)**

Order by part number and specify color, finish, or other options if required.

PRODUCT SUPPORT

Our Product Support team provides troubleshooting and technical problem resolution, including replacement parts and installation recommendations throughout the life of your product.

Product Support is available Monday through Friday, 8AM-6PM EST.

**LIMITED LIFETIME
WARRANTY**

Our warranty covers repair and replacement of Waterworks products if within the applicable coverage period and deemed defective by Waterworks. Waterworks will, at its option, repair or replace such products; this does not include installation costs, labor charges, or other incidental or consequential costs.

To obtain your complete warranty or inquire about warranty service, please visit us at www.waterworks.com or contact our Product Support Team.



ESTB. 1978

WATERWORKS

STYLES: HNLS20, HNLS21, HNLS22, HNLS23, HNLS30, HNLS31, HNLS32, HNLS33

MAIN KITS

103717*
CROSS HANDLE

103935*
CROSS HANDLE WITH
TEAK CYLINDER

103936*
CROSS HANDLE WITH
PORTORO CYLINDER

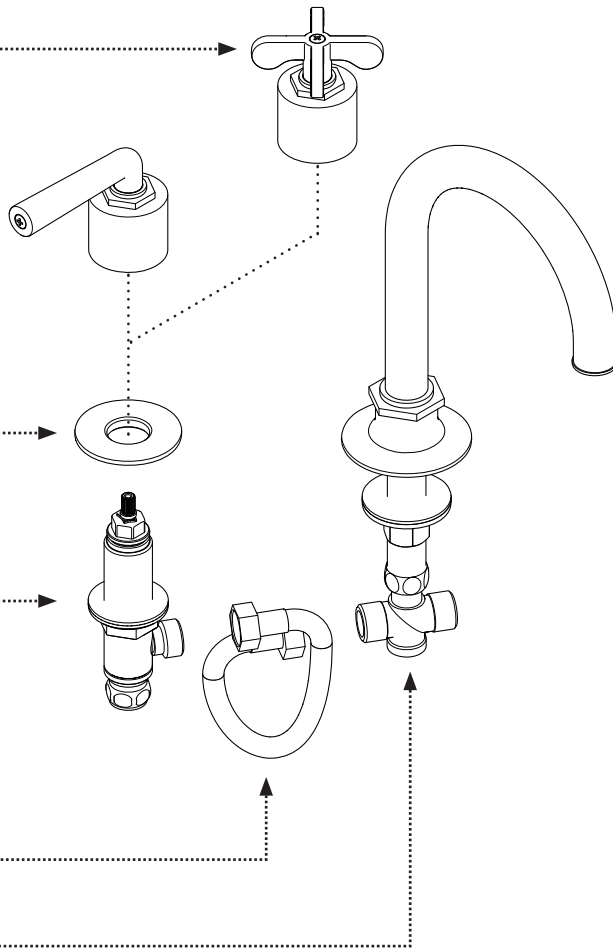
103937*
CROSS HANDLE WITH
COIN EDGE CYLINDER

103714*
ESCUTCHEON

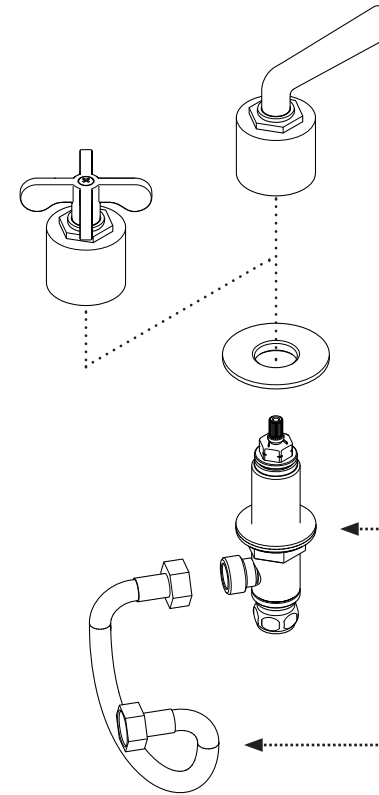
103474
COUNTERCLOCKWISE
ON SIDEBODY

103475
HOSE

103742*
SPOUT



*FINISH/COLOR MUST BE SPECIFIED WHEN ORDERING
++SUPPLIED AS A PAIR



103713*
LEVER HANDLE

103938*
LEVER HANDLE WITH
TEAK CYLINDER

103939*
LEVER HANDLE WITH
PORTORO CYLINDER

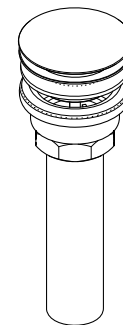
103940*
LEVER HANDLE WITH
COIN EDGE CYLINDER

103474
COUNTERCLOCKWISE ON SIDEBODY

103504
CLOCKWISE ON SIDEBODY
[LEVER HANDLE ONLY]

103475
HOSE

103693*
DRAIN



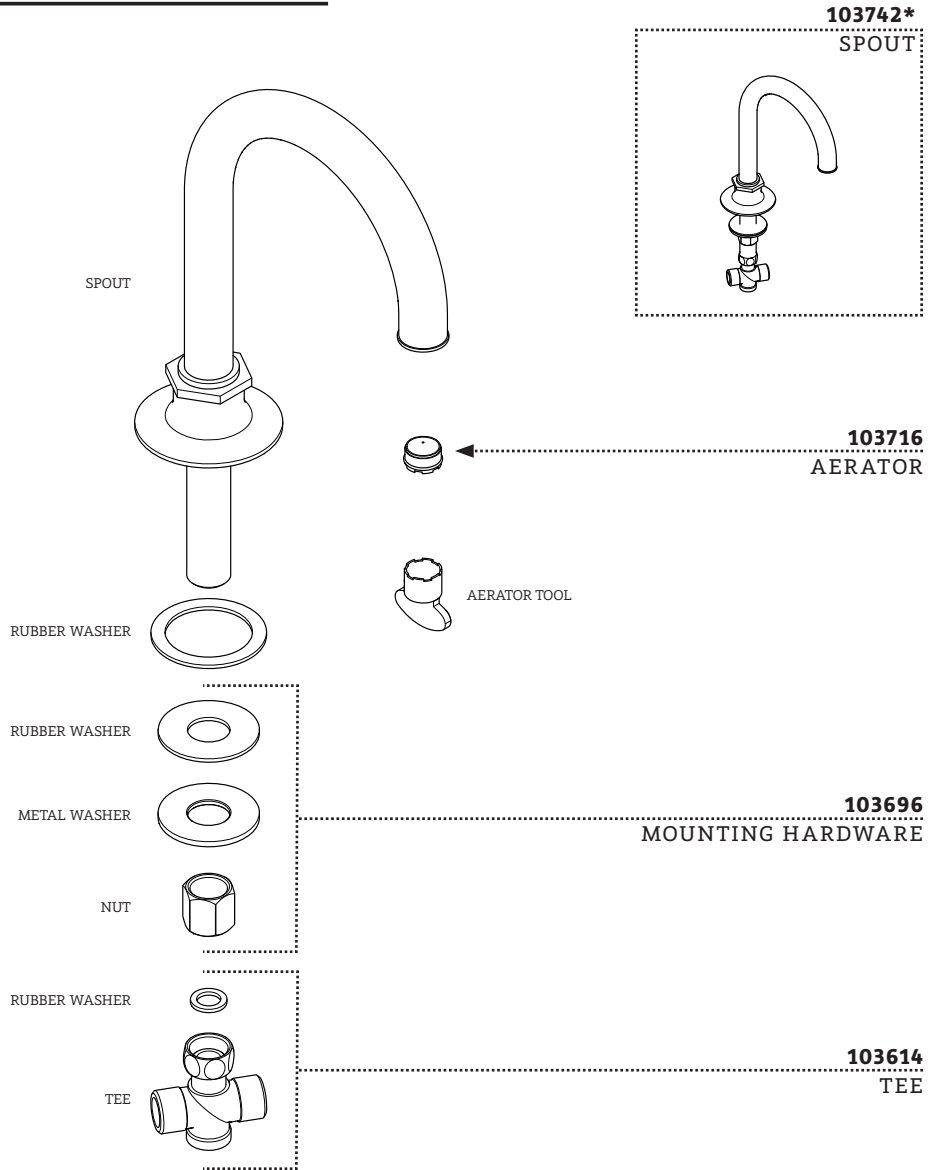


ESTB. 1978

WATERWORKS

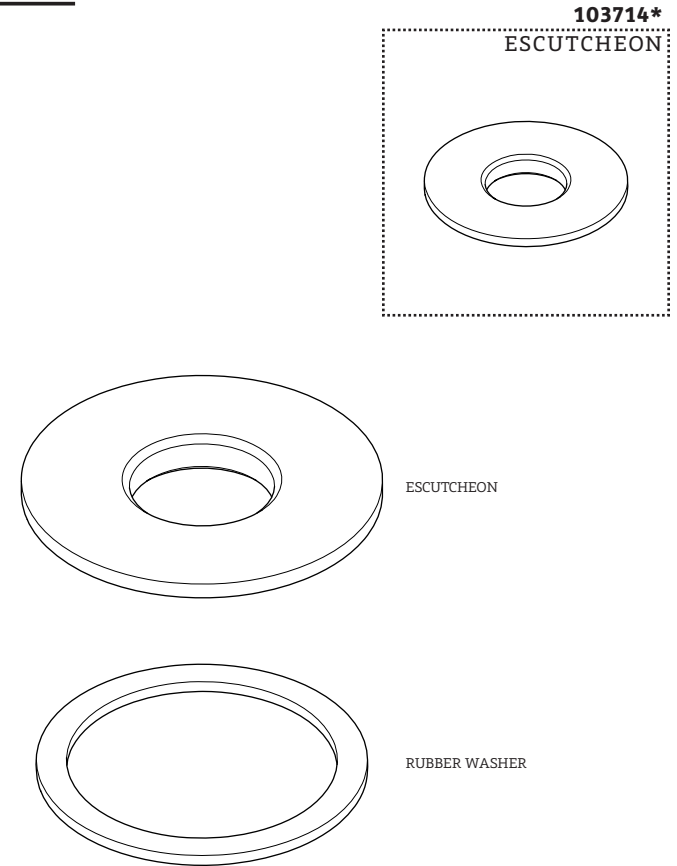
STYLES: **HNLS20, HNLS21, HNLS22, HNLS23, HNLS30, HNLS31, HNLS32, HNLS33**

KIT COMPONENTS



*FINISH/COLOR MUST BE SPECIFIED WHEN ORDERING
++SUPPLIED AS A PAIR

KIT COMPONENTS





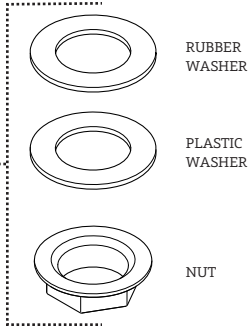
ESTB. 1978

WATERWORKS

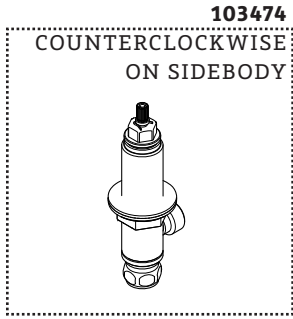
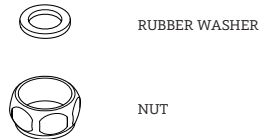
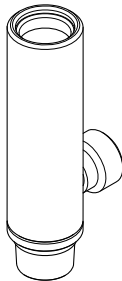
STYLES: **HNLS20, HNLS21, HNLS22, HNLS23, HNLS30, HNLS31, HNLS32, HNLS33**

KIT COMPONENTS

103471
MOUNTING HARDWARE



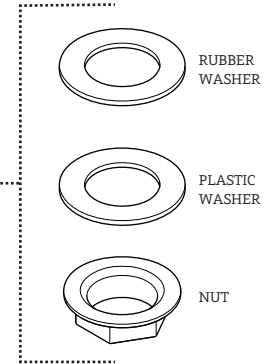
337847
COUNTERCLOCKWISE ON
CARTRIDGE



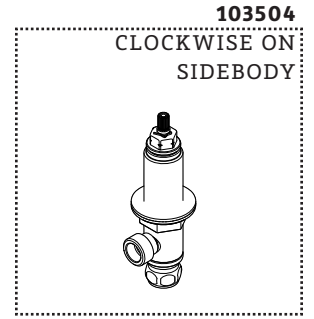
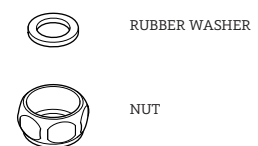
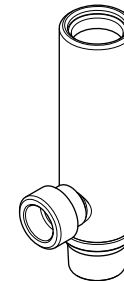
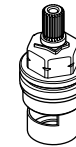
*FINISH/COLOR MUST BE SPECIFIED WHEN ORDERING
++SUPPLIED AS A PAIR

KIT COMPONENTS

103471
MOUNTING HARDWARE



258790
CLOCKWISE ON
CARTRIDGE





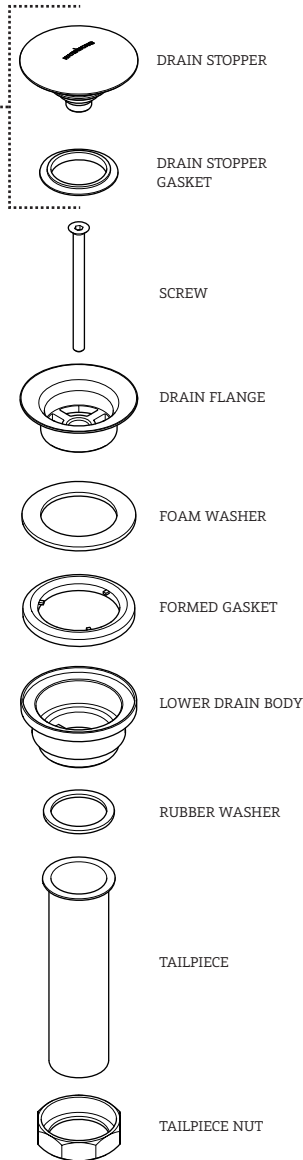
ESTB. 1978

WATERWORKS

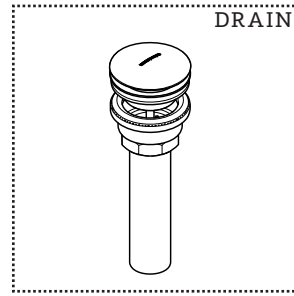
STYLES: HNLS20, HNLS21, HNLS22, HNLS23, HNLS30, HNLS31, HNLS32, HNLS33

KIT COMPONENTS

103692*
DRAIN STOPPER



103693*



*FINISH/COLOR MUST BE SPECIFIED WHEN ORDERING
++SUPPLIED AS A PAIR

SERVICE PARTS INDEX

<u>STYLE</u>	<u>DESCRIPTION</u>	<u>PG</u>
103716	AERATOR	4
258790	CLOCKWISE ON CARTRIDGE	7
103504	CLOCKWISE ON SIDEBODY	7
337847	COUNTERCLOCKWISE ON CARTRIDGE	6
103474	COUNTERCLOCKWISE ON SIDEBODY	6
103717*	CROSS HANDLE	2
103937*	CROSS HANDLE WITH COIN EDGE CYLINDER	2
103936*	CROSS HANDLE WITH PORTORO CYLINDER	2
103935*	CROSS HANDLE WITH TEAK CYLINDER	2
103693*	DRAIN	8
103692*	DRAIN STOPPER	8
103714*	ESCUTCHEON	5
103475	HOSE	3
103713*	LEVER HANDLE	3
103940*	LEVER HANDLE WITH COIN EDGE CYLINDER	3
103939*	LEVER HANDLE WITH PORTORO CYLINDER	3
103938*	LEVER HANDLE WITH TEAK CYLINDER	3
103696	MOUNTING HARDWARE	4
103471	MOUNTING HARDWARE	7
103742*	SPOUT	4

DOCUMENT: SPHN02_REV01



ESTB. 1978

WATERWORKS

**STYLES: HNLS20, HNLS21, HNLS22, HNLS23,
HNLS30, HNLS31, HNLS32, HNLS33**

SERVICE PARTS INDEX

<u>STYLE</u>	<u>DESCRIPTION</u>	<u>PG</u>
103614	TEE	4

*FINISH/COLOR MUST BE SPECIFIED WHEN ORDERING
++SUPPLIED AS A PAIR

NOTES

DOCUMENT: SPHN02_REV01



ESTB. 1978

WATERWORKS

**STYLES: HNLS20, HNLS21, HNLS22, HNLS23,
HNLS30, HNLS31, HNLS32, HNLS33**

NOTES

*FINISH/COLOR MUST BE SPECIFIED WHEN ORDERING
++SUPPLIED AS A PAIR

NOTES



ESTB. 1978

WATERWORKS

PRODUCT SUPPORT

60 BACKUS AVENUE
DANBURY, CT 06810

1 (800) 927-2120 (EXT 2)

WWW.WATERWORKS.COM