

## HENRY

## HNLS40

Henry Low Profile One Hole Deck Mounted Lavatory Faucet with Metal Cross Handle



SHOWN IN HENRY LOW PROFILE ONE HOLE DECK MOUNTED LAVATORY FAUCET WITH METAL CROSS HANDLE| HNLS40

### TECHNICAL DETAILS

ADA Compliance: Yes  
Adjustable versus Fixed Spray: Fixed Spray  
Deck Thickness Maximum: 1 1/4"  
Deck Thickness Minimum: 0"  
Drain Depth Maximum: 2 5/8"  
Drain Hole Diameter: 1 3/4"  
Escutcheon Primary Material: Brass  
Fittings Hole Diameter: 1 3/8"  
Flow Restriction Options: 1.0, 1.2, 1.5, 1.75, 2.2  
Handle Turn Angle: Half Turn  
Depth / Width: 7 3/16"  
Drain Depth Minimum: 3/8"  
Height: 4 7/16"  
Inlet Connection Size: 3/8"  
Inlet Connection Type: Compression Connector Hoses  
Installation Type: Deck Mounted  
Integrated Diverter: N  
Integrated Spray: N  
Length: 2 7/8"  
Number of Handles: One  
Number of Holes: One Hole  
Primary Material: Brass  
Spout Swivel: N  
Spray Included in Unit: N  
Suggested Application: Bath  
Valve Material: Ceramic  
Water Pressure Maximum: 85.0 psi  
Water Pressure Minimum: 20.0 psi  
Water Pressure Recommended: 45.0 psi

### INSPIRATION

Influenced by the connection of industry and art Henry easily transitions between modern, traditional, utilitarian and classic settings.

### CODES & STANDARDS

Code # HNLS40X: Complies with ASME A112.18.1/CSA B125.1, ASME A112.18.2 / CSA B125.2, NSF, CEC 61, ADA and 0.25% Weighted Average Lead Content. Certified with IAPMO, cUPC, NSF, CEC and State of MA.

### PRODUCT FEATURES

The manufacturing process encompasses casting, turning, forging, hand-fitting and hand polishing.

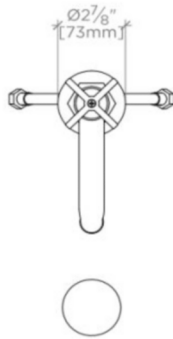
Brass material is used for component.

Standard flow rate is 2.2gpm (8.3 L/min) and State of California requires 1.2gpm(4.5 L/min). Also available in other flow options. Contact a sales associate for details.

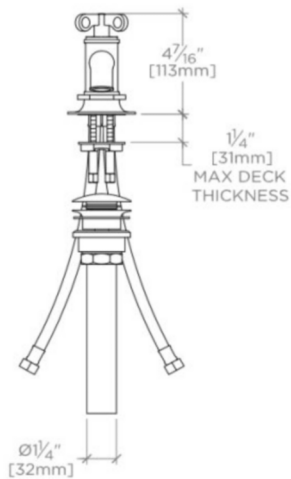
## HENRY

## HNLS40

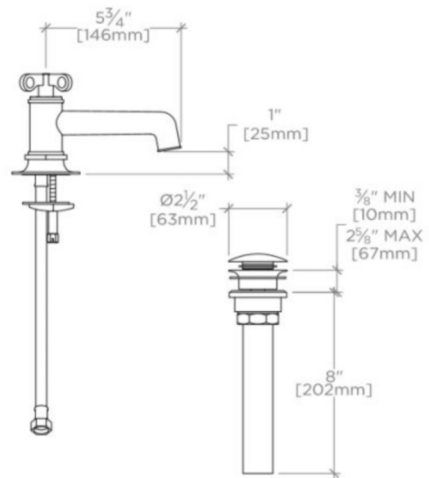
Henry Low Profile One Hole Deck Mounted Lavatory Faucet with Metal Cross Handle



TOP VIEW SCALE: 1/2"=1'-0"



FRONT VIEW SCALE: 1/2"=1'-0"



SIDE VIEW SCALE: 1/2"=1'-0"