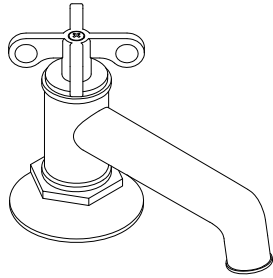


HENRY

Low Profile One Hole Deck Mounted Lavatory Faucet

# Installation Guidelines

HNLS40: Metal Cross Handle



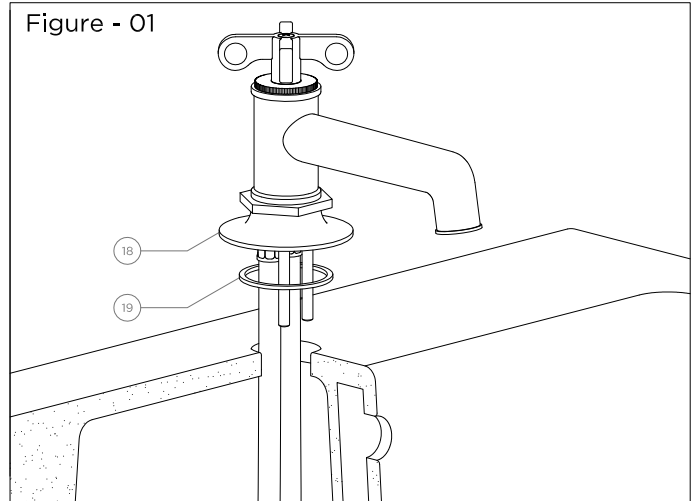
## **SPECIFICATIONS:**

Drain Depth Maximum: 2<sup>5</sup>/<sub>8</sub>"  
Drain Depth Minimum: 3<sup>3</sup>/<sub>8</sub>"  
Drain Hole Diameter: 1<sup>3</sup>/<sub>4</sub>"  
Drain Style: Push Touch (Drain Included)  
Inlet Connection Size: 3<sup>3</sup>/<sub>8</sub>"  
Inlet Connection Type: Straight Female Threads  
Maximum Deck Thickness: 1<sup>1</sup>/<sub>4</sub>"  
Maximum Water Pressure: 80psi  
Minimum Water Pressure: 20psi  
Fittings Hole Diameter: 1<sup>3</sup>/<sub>8</sub>"  
Recommended Water Pressure: 45psi  
Restricted Maximum Flow Rate: 2.2gpm

## **SPOUT INSTALLATION:**

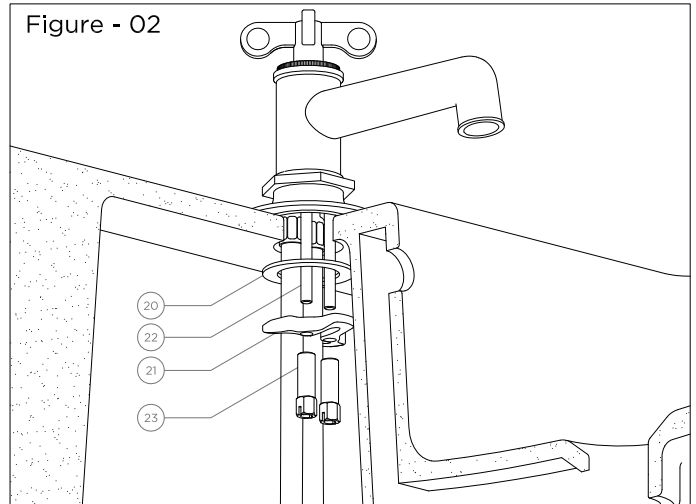
1. Insert the spout into the hole in the mounting surface making sure the upper gasket (19) is underneath the escutcheon (17).

Figure - 01



2. Secure the spout to the mounting surface using the mounting hardware (20-23).

Figure - 02



## **IMPORTANT:**

- To ensure this product is installed properly, you must read and follow these guidelines.
- The owner/user of this product must keep this information for future reference
- **WARNING:** This product incorporates a hot limit safety stop that can be adjusted to allow the handle to only rotate to a set temperature. The hot limit safety stop does not regulate the temperature of the water supplied to the cartridge. Neither the cartridge nor the hot limit safety stop compensate for changes in the water supply temperature by such events as water heater replacement or servicing. The hot limit safety stop must be re-adjusted when ever such events occur. This product does not provide anti-scald protection.
- Be sure your installation conforms to all federal, state, and local codes.
- In the State of Massachusetts, all installations must comply with the rules and regulations set forth within 248 CMR.
- This product must be installed by a professional licensed contractor.
- Refer to the specification and assembly drawings attached. Product is sold partially assembled but shown fully disassembled for illustrative and service purposes only.
- Inspect this product to ensure you have all parts required for proper installation.
- Use only a strap wrench or protected/smooth-jaw wrench on any finished surface.
- **DO NOT** use putty during on deck fittings. Upper and lower washers are provided.

These guidelines have been prepared for the professional contractor to aid in the installation of:  
HENRY LOW PROFILE ONE HOLE DECK MOUNTED LAVATORY FAUCET WITH METAL CROSS HANDLE (HNLS40).

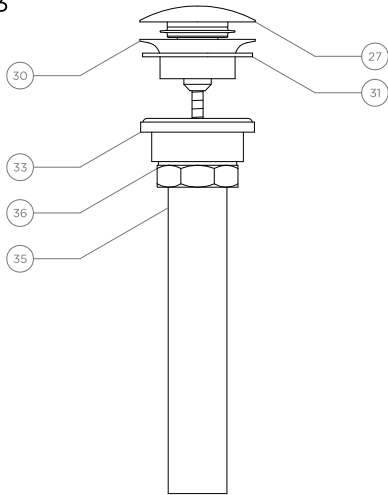
All dimensions are based on origin specification and are subject to change and variation.  
Please consult your Design Associate for current specifications.

**WATERWORKS**

**DRAIN INSTALLATION:**

- Unthread and remove the stopper (27) and lower drain body (33) from the upper drain body (30). The foam washer (31) can be discarded then remove the tailpiece (35) from the lower drain body.

Figure - 03



- Set the upper drain body (30) in the lavatory drain opening using putty or a clear adhesive silicone depending on the mounting surface material.\* Reinstall the lower drain body (33) making sure to use the rubber o-ring (40) provided and tighten until fully secured. Putty or a clear adhesive silicone may be used to ensure a water-tight seal between the o-ring and lavatory.\*

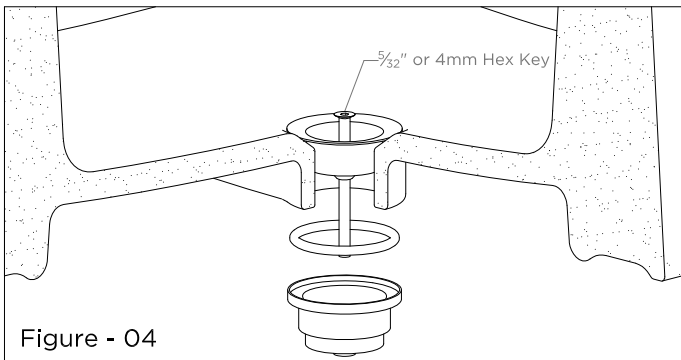


Figure - 04

- Re-install the tailpiece using the washer (34) and nut (36) provided, then re-install the stopper (27).
- Connect the supply hoses (24) to the water supply valves (not supplied).

**INSPECT THE INSTALLATION:**

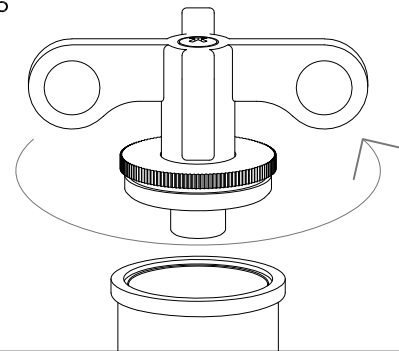
- Remove the aerator (25) using the key (26) provided then carefully open the handle to flush out any debris in the supply lines.
- Inspect all connections for leaks.

- Close the drain then fill the sink with water to make sure the drain stopper (27-28) operates and seals properly.
- Reinstall the aerator.

**OPTIONAL HOT LIMIT SAFETY STOP CALIBRATION:**

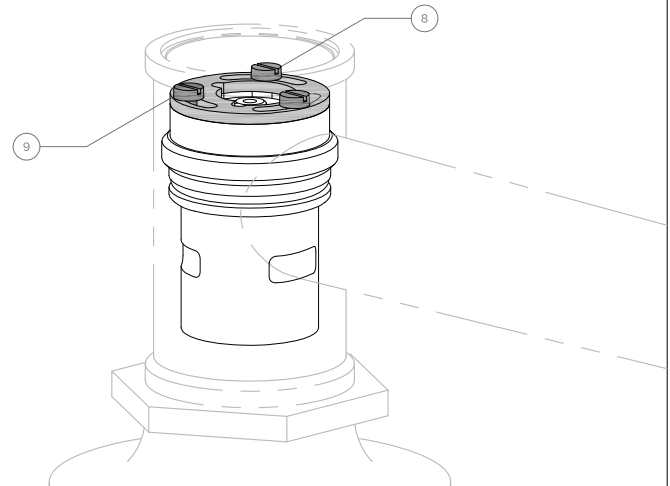
- Remove the handle assembly (1-7) by unthreading the gland cover (4) from the spout body (14).

Figure - 05



- Loosen the slotted adjustment screws (8) inside the spout body to allow the hot limit safety stop plate (10) to rotate freely.

Figure - 06



- Beginning in the off position, use the calibration tool (37) to rotate the cartridge stem counter clockwise. The pin on the tool will turn the hot limit safety stop plate (10). See Figure - 07.

NOTE: If the pin on the calibration tool (37) does not contact the plate (10) or rotate far enough, remove the hot limit safety stop assembly (8-10) and re-align the assembly on the cartridge retaining collar (11) with the hex pattern. See Figure - 08

These guidelines have been prepared for the professional contractor to aid in the installation of:  
**HENRY LOW PROFILE ONE HOLE DECK MOUNTED LAVATORY FAUCET WITH METAL CROSS HANDLE (HNLS40).**

All dimensions are based on origin specification and are subject to change and variation. Please consult your Design Associate for current specifications.

**WATERWORKS**

14. Using a thermometer, measure the temperature of the water until the desired temperature is reached. Tighten down the adjustment screws (8) to secure the plate (9) and prevent it from moving during final installation and operation.

Figure - 07

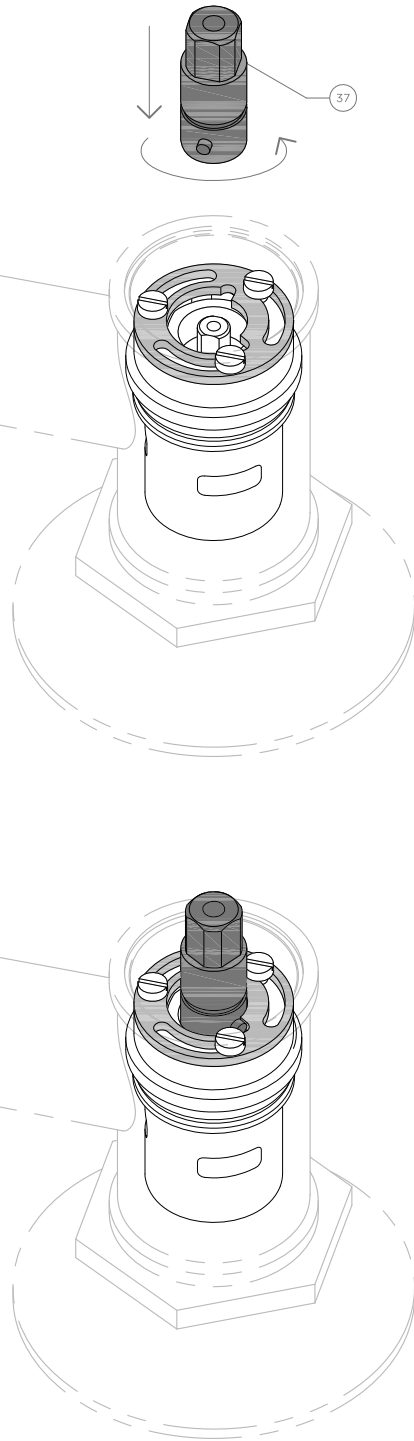
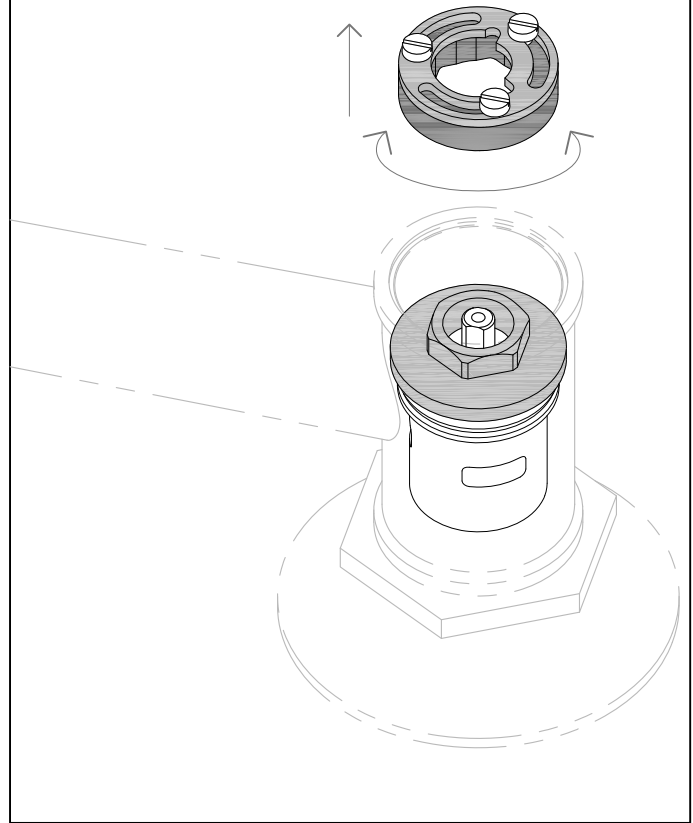


Figure - 08



15. Shut the valve off and remove the calibration tool. Re-install the handle assembly making sure the handle stem is in the same orientation as the calibration tool.

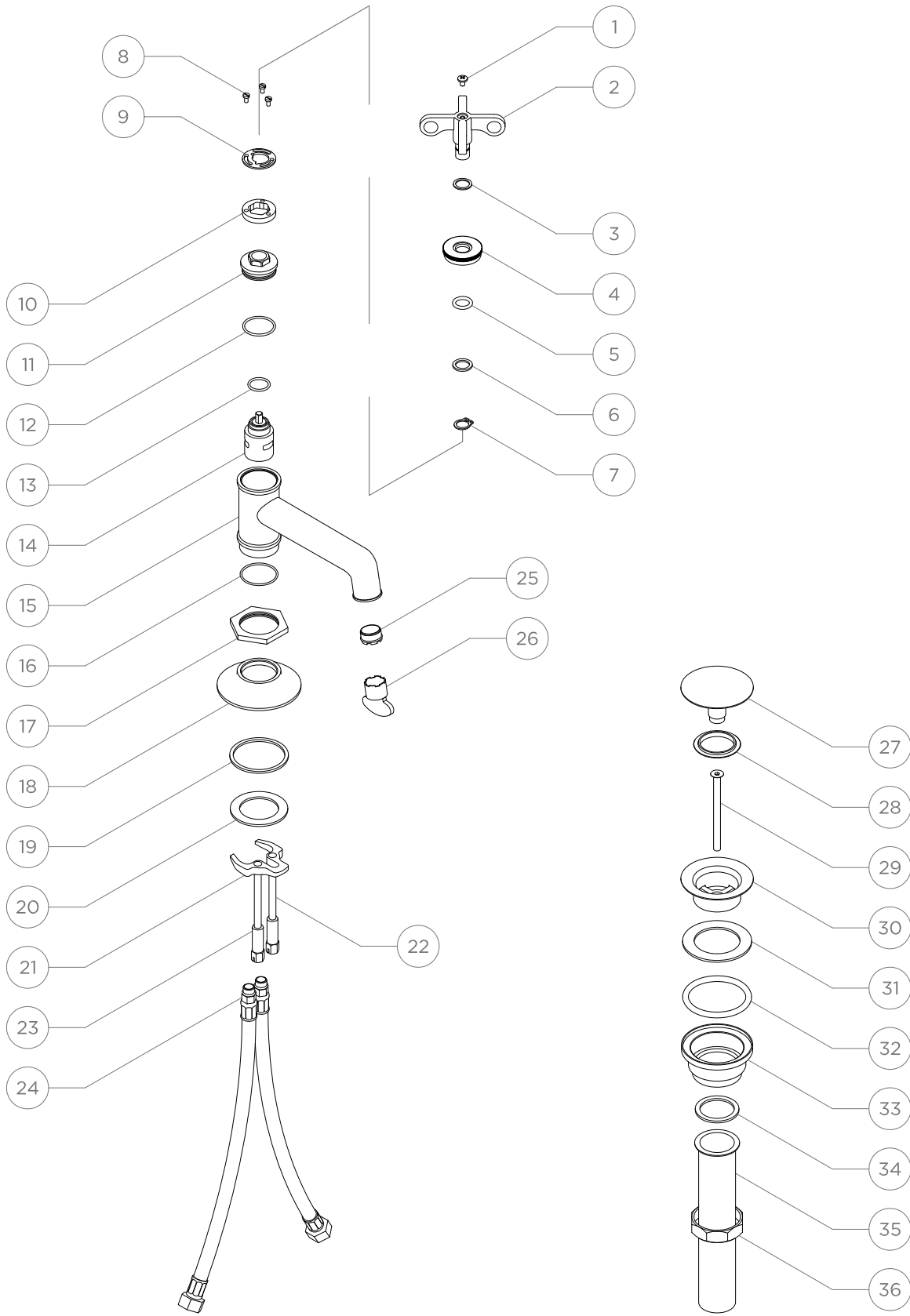
➤ If further assistance is required please contact Product Support at 1-800-927-2120 Extension 3 (9am-6pm EST).

\* Putty contains oil and can cause permanent discoloration on certain materials such as marble, granite and any porous surface.

These guidelines have been prepared for the professional contractor to aid in the installation of:  
HENRY LOW PROFILE ONE HOLE DECK MOUNTED LAVATORY FAUCET WITH METAL CROSS HANDLE (HNLS40).

All dimensions are based on origin specification and are subject to change and variation.  
Please consult your Design Associate for current specifications.

## WATERWORKS



These guidelines have been prepared for the professional contractor to aid in the installation of:  
**HENRY LOW PROFILE ONE HOLE DECK MOUNTED LAVATORY FAUCET WITH METAL CROSS HANDLE (HNLS40).**  
 All dimensions are based on origin specification and are subject to change and variation.  
 Please consult your Design Associate for current specifications.

**WATERWORKS**

ITEM NO.	DESCRIPTION	QTY.
1	Handle Screw	1
2	Cross Handle	1
3	Washer, 12.2mm ID x 16mm OD x 1mm Thickness, Plastic	1
4	Gland Cover	1
5	O-Ring, 12.1mm ID x 2.7mm Width, Rubber	1
6	Washer, 12.3mm ID x 17mm OD x 1.5mm Thickness, Metal	1
7	C-Clip, Metal	1
8	Screw, Slotted, M3 x 0.5mm, 6mm Length	3
9	Hot Limit Safety Stop Plate	1
10	Hot Limit Safety Stop Alignment Collar	1
11	Cartridge Retaining Collar, 17mm Hex	1
12	O-Ring, 25mm ID x 1.8mm Width, Rubber	1
13	O-Ring, 16mm ID x 1.8mm Width, Rubber	1
14	Cartridge, Shut-off Valve, CW Close	1
15	Spout	1
16	O-Ring, 30mm ID x 1.5mm Width, Rubber	1
17	1 <sup>3</sup> / <sub>4</sub> " Hex Collar	1
18	Spout Escutcheon	1
19	Washer, 45mm ID x 51mm OD x 2mm Thickness, Rubber	1
20	Washer, 34mm ID x 50mm OD x 2mm Thickness, Rubber	1
21	Mounting Bracket	1
22	Threaded Rod	2
23	Lock Nut	2
24	Flexible Supply Hose, M10 x 3/8", 14" Length	2
25	Aerator, 2.2gpm	1
26	Aerator Service Key	1
27	Drain Stopper, Push Touch	1
28	Drain Stopper Seal, Rubber	1
29	Drain Screw, 5/32" [4mm] Hex Key	1
30	Upper Drain Body	1
31	Foam Washer	1
32	O-Ring, 50mm ID x 5mm Width, Rubber	1
33	Lower Drain Body	1
34	Washer, 30mm ID x 38mm OD x 2mm Thickness, Rubber	1
35	Tailpiece, 1/4", Metal	1
36	Tailpiece Nut, 44mm Hex, 12mm Height	1
37	Calibration Tool (Not Shown On Exploded Part Page)	1

These guidelines have been prepared for the professional contractor to aid in the installation of:  
**HENRY LOW PROFILE ONE HOLE DECK MOUNTED LAVATORY FAUCET WITH METAL CROSS HANDLE (HNLS40).**

All dimensions are based on origin specification and are subject to change and variation.  
Please consult your Design Associate for current specifications.

**WATERWORKS**