



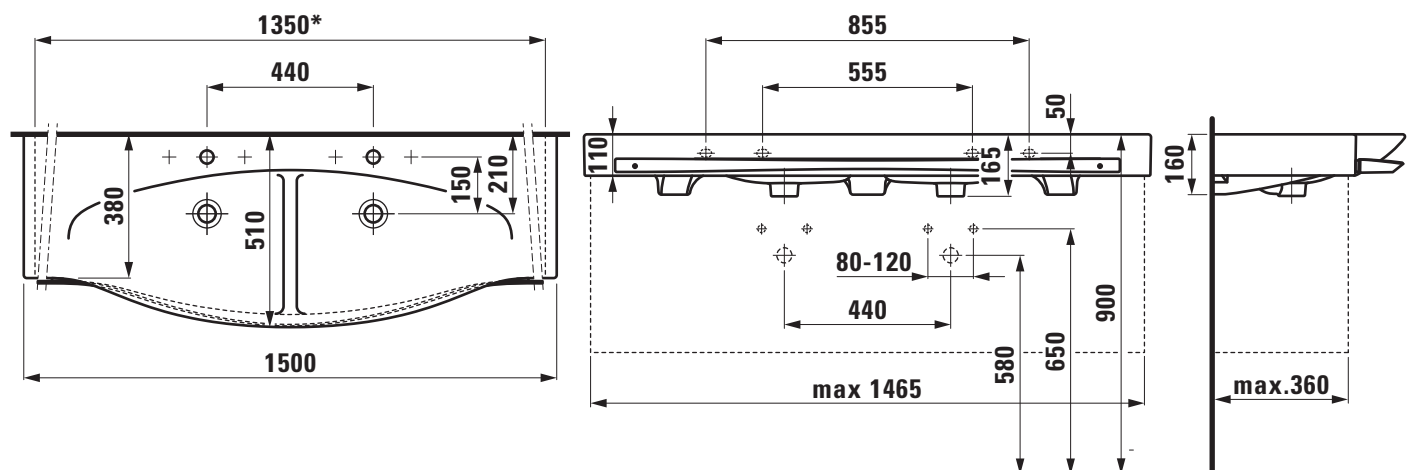
**TECHNICAL DATA**

Order no.	81470.6
Certified to	EN 14688
Dimensions	1500 x 380/510 mm
Inside dimensions of the basin	565 x 365 mm
Specification	Always to be fixed to the wall. Cut one-sided to 1350 mm incl. towel rail order no. 8170.5 Charge 104 – per basin 1 centre tap hole, with overflow
Special specification	Charge 108 – per basin 3 tap holes, with overflow Charge 136 – per basin 3 tap holes, distance 8 inches, with overflow
Weight	34,0 kg
Mounting acc. excl.	2x Mounting set M10 x 140 mm, order no. 89988.2
Otherwise	When ordering the cut version use the order form for cutting
Colours	see colour table

**SPECIFICATION TEXT**

Cutable double countertop basin Laufen-PALACE, sanitary ceramic EN 14688, dimensions 1500 x 380/510 mm, symmetric per basin 1 centre tap hole  
Special feature: overflow channel glazed, cutable to 1350 mm, integrated shelves, with towel rail  
Further options / accessories: 3 tap holes, 3 tap holes distance 8 inches with overflow, furniture  
Order no. 81470.6

**TECHNICAL DRAWINGS / S 1 : 20**



\* = minimum measure for cutting