

HENRY

Henry Wall Mounted Lavatory Faucet with Cross Handles

HNLS60



SHOWN IN HENRY WALL MOUNTED LAVATORY FAUCET WITH CROSS HANDLES| HNLS60

TECHNICAL DETAILS

ADA Compliance: Yes
Fittings Hole Diameter: 1 3/8"
Flow Restriction Options: 1.0 , 1.2 , 1.5 , 1.75, 2.2
Handle Spread Maximum: 8"
Handle Spread Minimum: 8"
Inlet Connection Size: 1/2"
Inlet Connection Type: Female NPT
Suggested Application: Bath
Water Pressure Maximum: 85.0 psi
Water Pressure Minimum: 20.0 psi
Water Pressure Recommended: 45.0 psi

INSPIRATION

Influenced by the connection of industry and art Henry easily transitions between modern, traditional, utilitarian and classic settings.

CODES & STANDARDS

Code # HNLS60X: Complies with NSF 61/NSF 372 and ADA. Certified with NSF, CEC, DOE, State of MA, and WRAS.

PRODUCT FEATURES

Includes European push touch style drain.

Meets or exceeds the Weighted Average Lead Requirements of 0.25%.

Standard flow rate is 2.2gpm (8.3 L/min) and State of California requires 1.2gpm(4.5 L/min). Also available in other flow options. Contact a sales associate for details.

CERTIFICATIONS

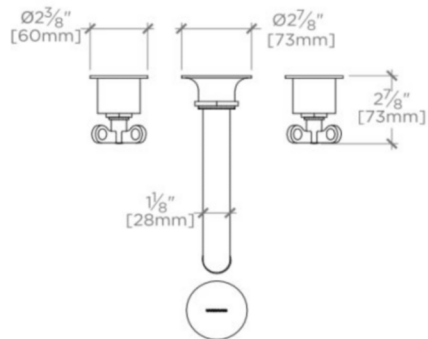


WATERWORKS

HENRY

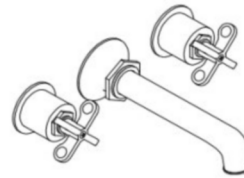
HNLS60

Henry Wall Mounted Lavatory Faucet with Cross Handles



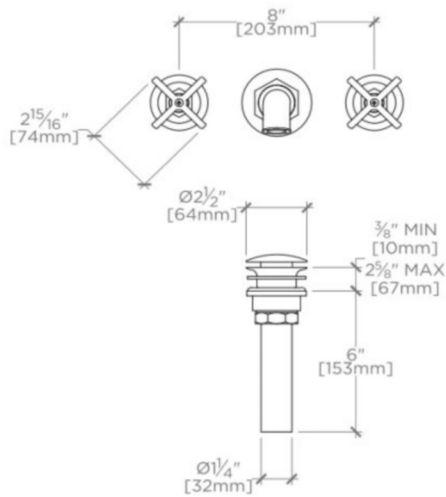
TOP VIEW

SCALE: $1\frac{1}{2}"=1'-0"$



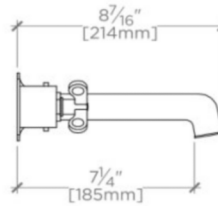
ISO VIEW

SCALE: $1\frac{1}{2}"=1'-0"$



FRONT VIEW

SCALE: $1\frac{1}{2}"=1'-0"$



SIDE VIEW

SCALE: $1\frac{1}{2}"=1'-0"$

