

HENRY

Henry Wall / Ceiling Flush Mount

HNLT01



SHOWN IN HENRY WALL / CEILING FLUSH MOUNT | HNLT01

TECHNICAL DETAILS

Ambient / Task: Ambient
Bulb Base Size: E26
Escutcheon Primary Material: Brass
Bulb Type: A19 Silver Bowl
Depth / Width: 9 9/16"
Height: 5 1/8"
Installation Type: Wall or ceiling mounted
Interior / Exterior Application: Interior Only
Junction Box Orientation: Any
Length: 9 9/16"
Light Direction: Down or out from the light fixture depending on the orientation when mounted.
Number of Bulbs: One
Orientation: Any
Primary Material: Brass
Safety Warnings: Do not exceed max wattage (75)
Shade Material: Metal and Glass
Shade Shape: Round
Suggested Application: All Applications
Voltage: 120V
Wet / Dry: Damp or Dry

INSPIRATION

Influenced by the connection of industry and art Henry easily transitions between modern, traditional, utilitarian and classic settings.

CODES & STANDARDS

UL

PRODUCT FEATURES

Proprietary design
Brass with glass-lined shade
Offered wired for 120V and 240V (CE)
Light may be wall or ceiling mounted
Uses (1) 75W Max Type A19 Silver Bowl, E26 Base Bulb

CERTIFICATIONS



PRODUCT (NOTES)

Replacement pendant glass shade Style #908894. Replacement sconce shade Style #211006. Replacement sconce glass shade Style #998725

HENRY

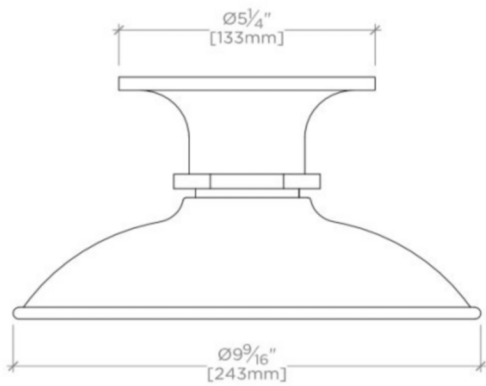
Henry Wall / Ceiling Flush Mount

HNLT01



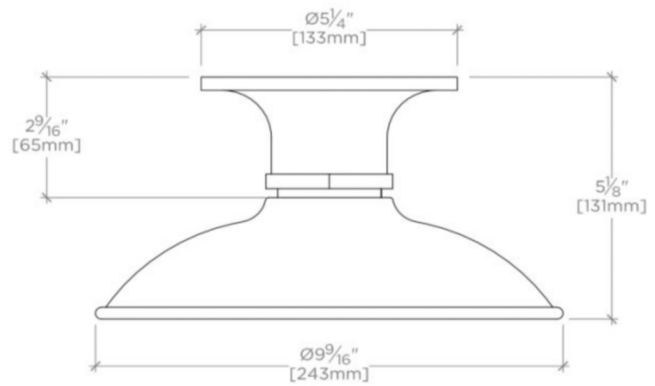
CEILING VIEW

SCALE: 3"=1'-0"



FRONT VIEW

SCALE: 3"=1'-0"



SIDE VIEW

SCALE: 3"=1'-0"