

Collection

INDUSTRIA

Article

ID394

Description

Two pieces washbasin mixer

Box Dimensions

360 x 220 x 150 mm

Weight

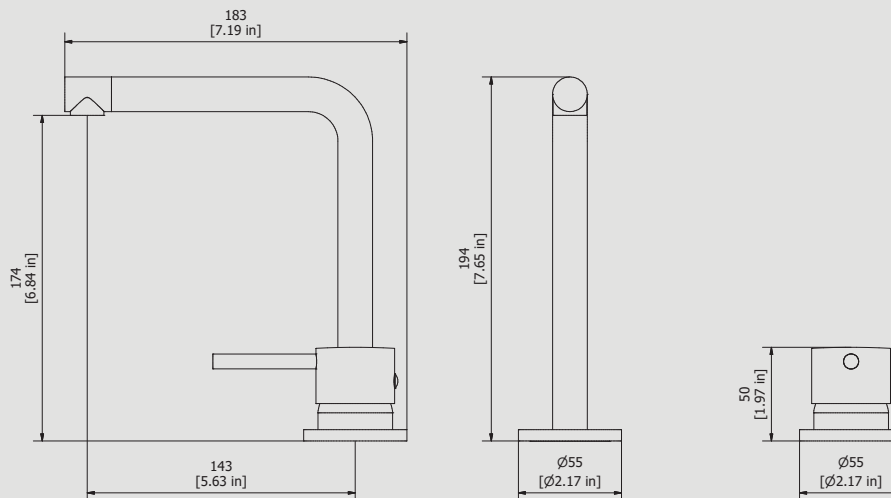
2.3 kg

Finishes

- **CC**
CHROME
- **CF**
BLACK CHROME
- **OO**
GOLD
- **BB**
ANTIQUE BRONZE
- **SS**
BRUSHED NICKEL
- **CS**
BRUSHED BLACK CHROME
- **BO**
MATT WHITE
- **NP**
MATT BLACK
- **IS**
BRUSHED PALE GOLD
- **OS**
BRUSHED GOLD
- **II**
PALE GOLD
- **RR**
ANTIQUE COPPER
- **RS**
ROSE GOLD
- **ON**
NATURAL BRASS
- **SR**
BRUSHED ROSE GOLD
- **PL**
PLATINUM



Dimensions



Cartridge

G1/2" ceramic headwork

Hoses

Inox hoses G1/2" female 300 mms long

Aerator

M16.5x1

Flow Rate (+/-10%)

1 BAR	2 BAR	3 BAR
4.5 l/min	5 l/min	5 l/min

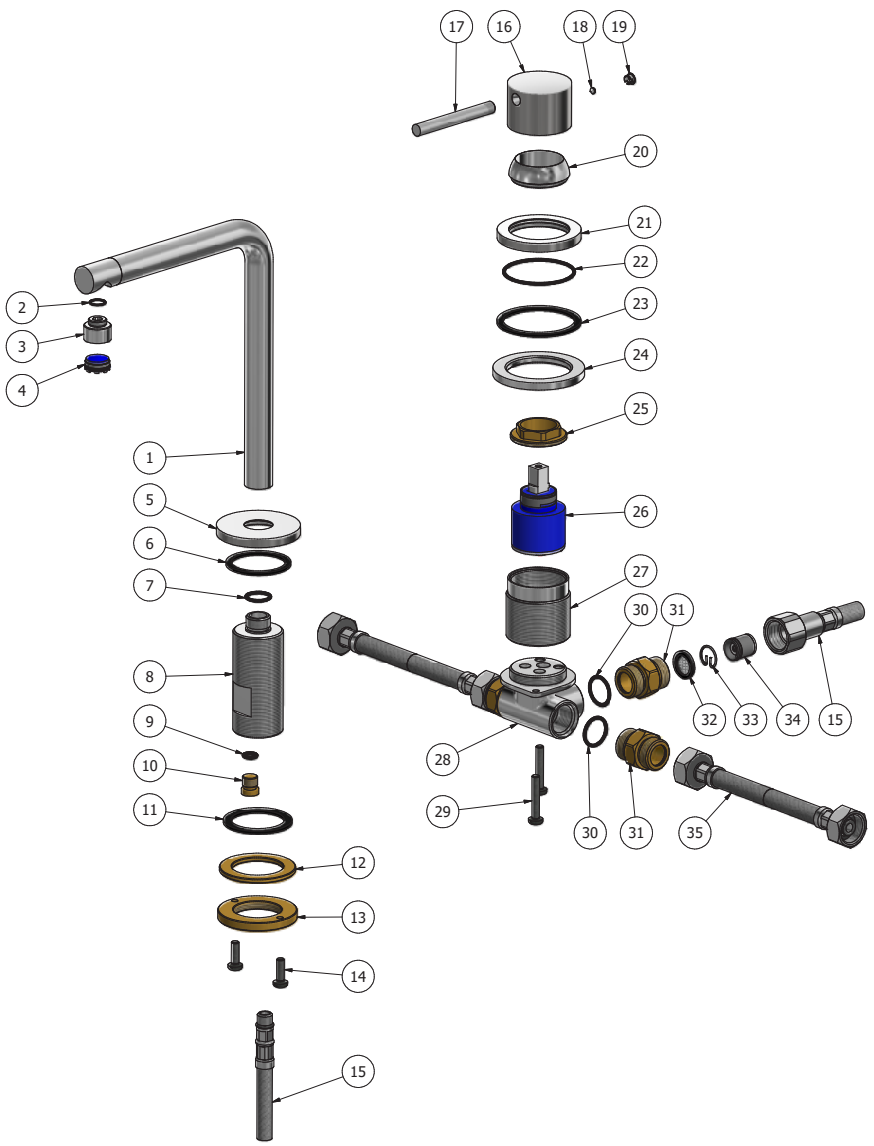
Production

Main body is a single hot stamped pieces

Material

BRASS
According to CuZn42 (CW510L)
Max Lead content: 0.2%

Parts list			
ELEM	CODE	DESCRIPTION	QT
1	AC0012505	Welded spout Ø18.5 H189 L164	1
2	AQ0009416	OR 9x1 NBR 70 SH	1
3	AC0012456	Insert for aerator Ø17.9 M12x1 M16.5x1 H14	1
4	AQ0014890	Perlator cachè TT	1
5	AC0012916	Base Ø55 H6 M33x1.5 knurled	1
6	AQ0008012	Plane seal Ø42.5x35.5x2	1
7	AQ0009818	OR 14x1.78 NBR 70 SH	1
8	AC0012449	Threaded stem M33x1.5 M16x1 H80	1
9	AQ0001330	OR 6.75x1.78 NBR 70 SH	1
10	AS0010770	Plug M10x1 H12	1
11	AQ0008013	Rubber packing 45x35x2	1
12	AS0010659	Brass ring Ø50x35.5x3	1
13	AS0010658	Ring nut with screwed holes Ø52 M33x1.5 H6	1
14	AQ0010358	Inox screw M5x16 ISO 7045	2
15	AQ0010273	Inox hose M10x1 G1/2" F L400	1
16	AC0012840	Handle Ø42 H30 knurled	1
17	AC0007091	Straight rod Ø8 L67	1
18	AQ0013221	Grubscrew M4x3 cone point	1
19	AQ0006650	Plug cover Ø7	1
20	AQ0003630	Cartridge ring nut cover M37x1.5	1
21	AC0012853	Fixing ring Ø55 M42x1.5 knurled	1
22	AQ0010584	OR 44.17x1.78 NBR 70 SH	1
23	AQ0011028	Flat gasket Ø55 Ø47 H2	1
24	AC0011661	Support ring Ø60 Ø42.2 H5	1
25	AQ0001040	Cartridge ring nut M37x1.5 H9	1
26	AQ0004095	Ceramic cartridge Ø35 9x9 (K35A)	1
27	AC0011662	Ring M42x1.5 M37x1.5 Ø40 H40.7	1
28	AQCT10369	Recessed shower mixer body Ø35 DZR	1
29	AQ0009153	Inox screw M5x30 ISO 7045	2
30	AQ0004630	OR 17.16x1.78 NBR 70 SH	3
31	AS0010301	Reduction G1/2" M G1/2" M with valve seat	3
32	AQ0010360	Rubber packing 1/2" H2 with filter	1
33	AQ0009678	Elastic ring AISI 302	1
34	AQ0010983	Flow reduction valve 5 LT Ø14 (31.4150.0)	1
35	AQ0006540	Inox hose AG1/2" F G1/2" F L300	2



WARRANTY

All IB Rubinetterie SpA products are warranted for 10 years from the date of purchase, for the following cases:

- Defects of casting, porosity and chrome plating.
- Operating defects caused by incorrect fabrication.

The warranty provides for repair or replacement of products with fabrication defects recognized by our technical office. There is no other type of compensation anche the merchandise must be returned FOB our warehouse. The warranty only cover surface defects (scatches, dings, etc.) on fitting that have not been installed and used, returned in its original packaging with all components. O-ring, gasket seals and components subject to wear proportional to use are warranted for 2 years.

The warranty is void in the following cases:

Error installing and putting the product into service.

Deterioration of finisched surfaces due to use of cleaning products containing acids or abrasive substances. Deterioration of surface with finishes other than chrome plating. Their durability is, in fact, dependent on the user's care and gentleness of use.

Deterioration of the fitting due incorrect installation.

Improper repairs and maintenance performed without the company's prior authorization.

The warranty from IB Rubinetterie SpA is not renewable.

Cleaning

We recommended cleaning the finish surfaces with water and soap, using a soft cloth.

Do not use detergents that cointain hydrochloric acid or abrasive substances.

