

## HENRY

Henry Wall Mounted Single Arm Sconce with Glass Shade

HNLT03



SHOWN IN HENRY WALL MOUNTED SINGLE ARM SCONCE WITH GLASS SHADE| HNLT03

### TECHNICAL DETAILS

Ambient / Task: Ambient  
Bulb Base Size: E26  
Escutcheon Primary Material: Brass  
Bulb Type: Edison  
Depth / Width: 7 7/8"  
Height: 15 1/2"  
Installation Type: Wall Mounted  
Interior / Exterior Application: Interior Only  
Junction Box Orientation: Any  
Length: 6 11/16"  
Light Direction: Down or out from the light fixture depending on the orientation when mounted.  
Number of Bulbs: One  
Primary Material: Brass  
Safety Warnings: Do not exceed max wattage (75).  
Shade Finish: Clear  
Shade Material: Glass  
Shade Shape: Cone  
Suggested Application: All Applications  
Voltage: 120V  
Wet / Dry: Damp or Dry

### INSPIRATION

Influenced by the connection of industry and art Henry easily transitions between modern, traditional, utilitarian and classic settings.

### CODES & STANDARDS

UL

### PRODUCT FEATURES

Proprietary design  
Brass with hand-worked glass shade  
cUL Listed  
Sconce may be hung with shade turned up or down  
Uses (1) 75W Max Type Edison Filament, E26 Base Bulb, not included

### CERTIFICATIONS



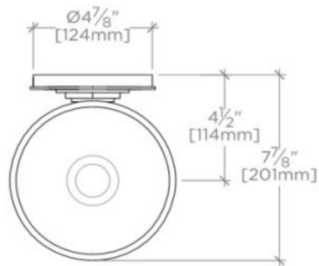
### PRODUCT (NOTES)

Replacement pendant glass shade Style #908894. Replacement sconce shade Style #211006. Replacement sconce glass shade Style #998725

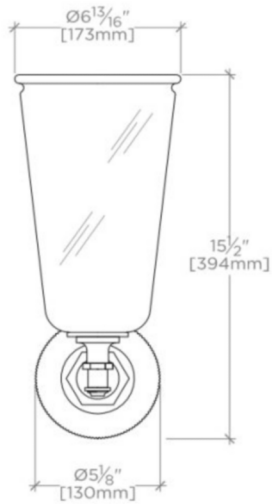
## HENRY

## HNLT03

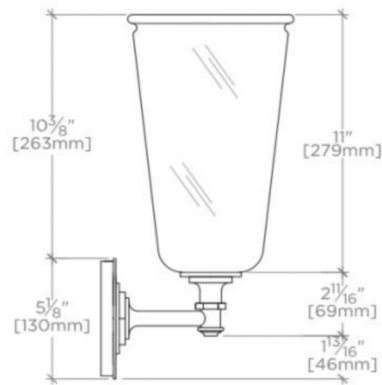
Henry Wall Mounted Single Arm Sconce with Glass Shade



TOP VIEW SCALE: 1/2"=1'-0"



FRONT VIEW SCALE: 1/2"=1'-0"



SIDE VIEW SCALE: 1/2"=1'-0"