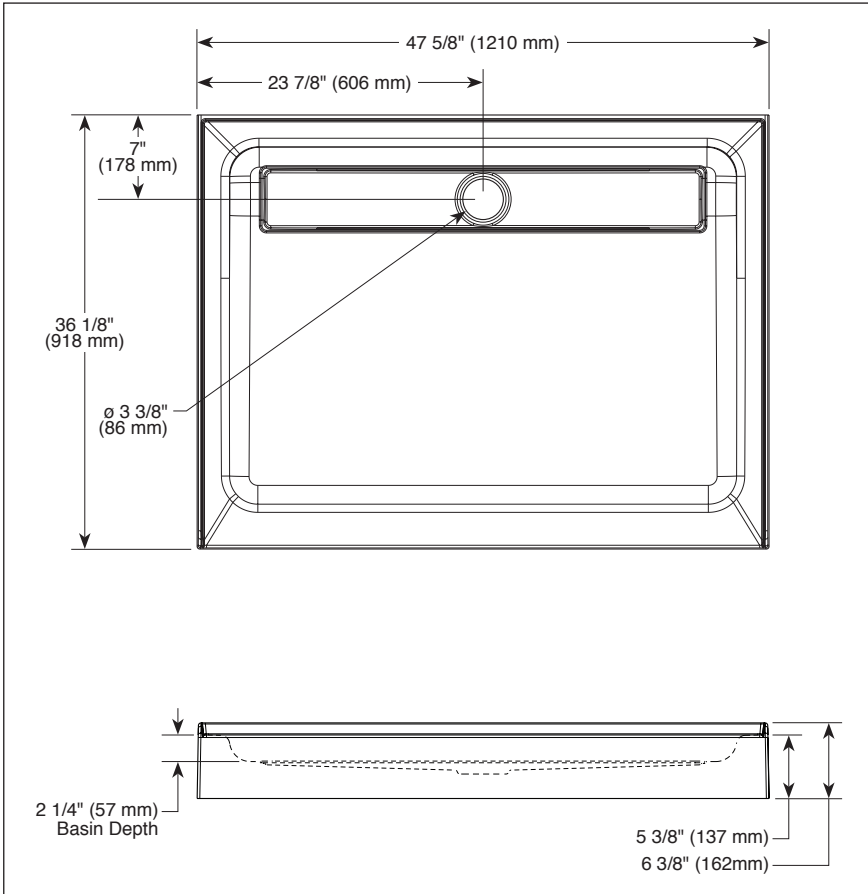


B710912-4836-WH

Submitted Model No.: _____

Specific Features: _____



48" X 36" SHOWER BASE

- Designed to Fit Delta 48" Shower Door and Delta 36" Side Glass Panel
- High-Gloss Acrylic-Capped ABS with Polyurethane Reinforcement
- Stainless Steel Trench Drain Cover Included
- Direct-to-Stud Installation
- 5-3/8" Tall Base
- Can Install with Tile Applications
- Shower Drain Included
- 10 Year Limited Residential Warranty
- 1 Year Limited Commercial Warranty

COLOR/FINISH:

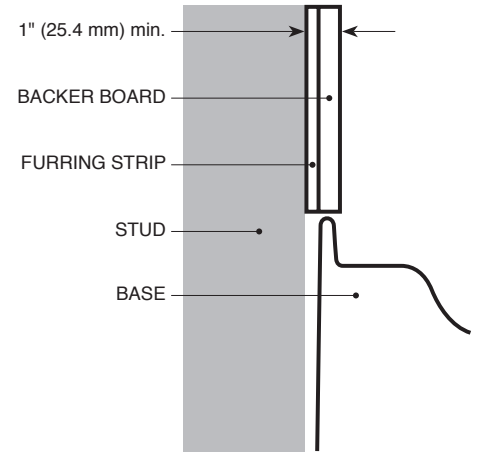
- White

COMPLIES WITH:

- CSA B45.5 / IAPMO Z124

1" minimum thickness of furring/backer board combination required for side flange clearance.

Se requiere una combinación de enrasado/tabla de respaldo de un mínimo de 1" de espacio para la brida al costado.



55 E 111th Street, Indianapolis, Indiana 46280
 350 South Edgeware Road, St. Thomas, ON N5P 4L1
 © 2016 Masco Corporation of Indiana