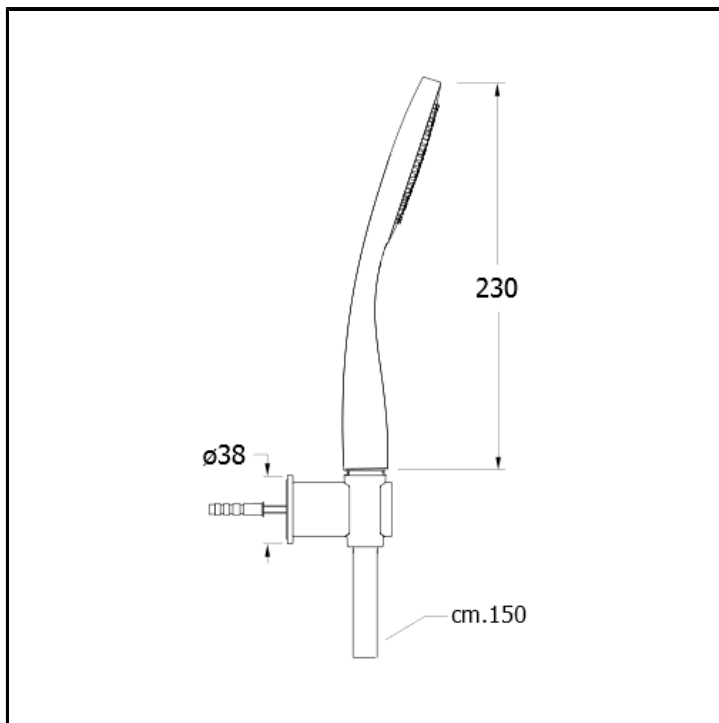


# CRIPD641

Hand shower holder with anti-lime comfort hand shower and LONG LIFE flexible hose



## FINITURE

 Chrome

## CHARACTERISTICS

- 

## FEATURES FROM TECHNOLOGIES

- 

## INSTALLATION

- Wall

## TPOLOGY

- 
- 

## ENVIRONMENT

- Bathroom