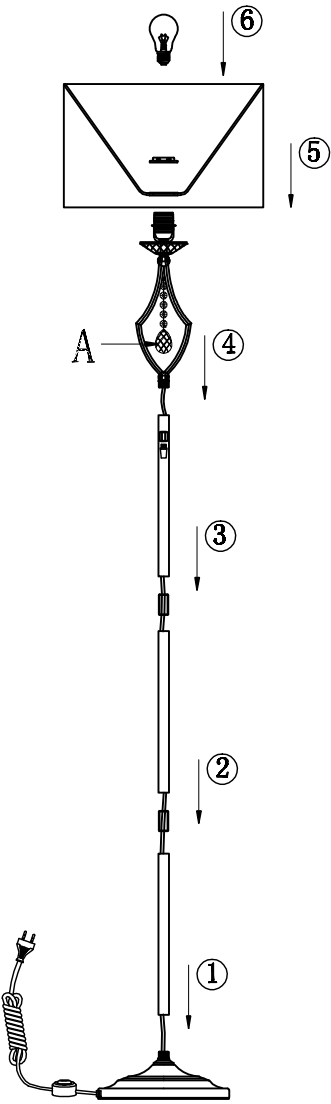


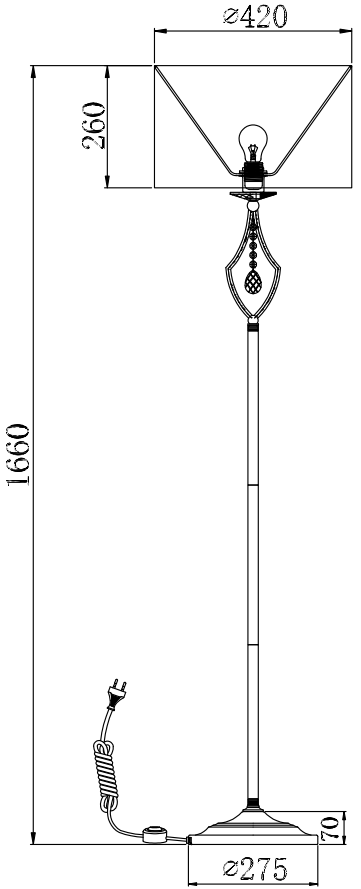
# Instruction



Collection: Modern  
Series: Miraggio  
Model: MOD602-FL-01-N  
Mobile

A=1

**I** – Mobile



  
1 x E27 (40w)

**MAYTONI**  
DECORATIVE LIGHTING  
[www.maytoni.de](http://www.maytoni.de)