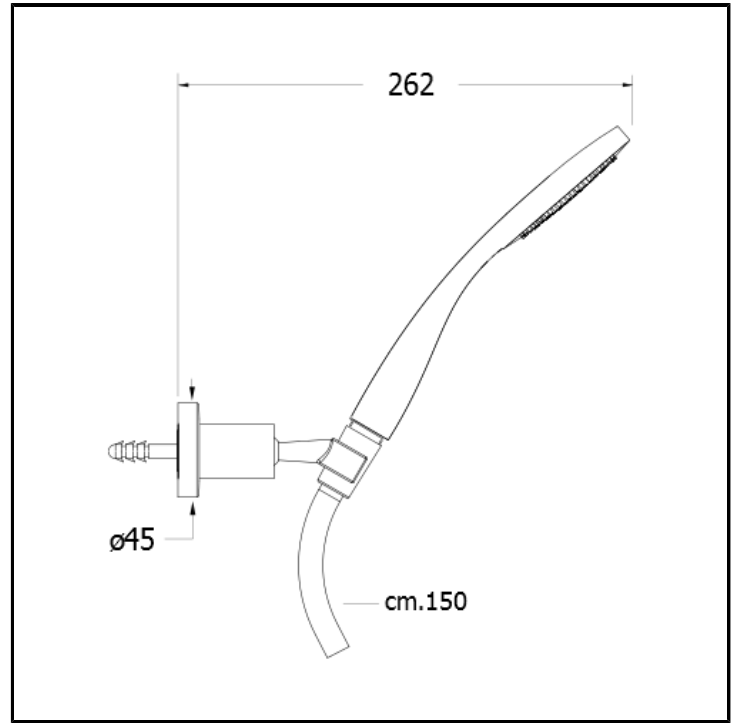


# CRIPD681

Adjustable hand shower holder with anti-lime hand shower and LONG LIFE flexible hose



## FINITURE



Chrome

## CHARACTERISTICS

- 

## FEATURES FROM TECHNOLOGIES

- 

## INSTALLATION

- Wall

## TPOLOGY

- 
- 

## ENVIRONMENT

- Bathroom