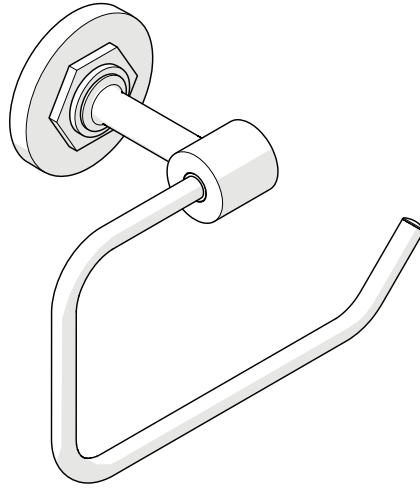


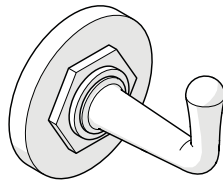


ESTB. 1978

WATERWORKS SERVICE PARTS



STYLE HNP01
Henry Wall Mounted Swing Arm Paper Holder



STYLE HNRH01
Henry Single Hook

WELCOME TO

WATERWORKS

For over three decades, Waterworks has transformed the bath through an absolute commitment to design authenticity, innovation and quality. A blend of scholarly appreciation and applied experience guarantees mechanical integrity, meticulous craftsmanship, and timeless designs.

**TO ORDER PARTS CALL
1 (800) 927-2120 (EXT 2)**

Order by part number and specify color, finish, or other options if required.

PRODUCT SUPPORT

Our Product Support team provides troubleshooting and technical problem resolution, including replacement parts and installation recommendations throughout the life of your product.

Product Support is available Monday through Friday, 8AM-6PM EST.

**LIMITED LIFETIME
WARRANTY**

Our warranty covers repair and replacement of Waterworks products if within the applicable coverage period and deemed defective by Waterworks. Waterworks will, at its option, repair or replace such products; this does not include installation costs, labor charges, or other incidental or consequential costs.

To obtain your complete warranty or inquire about warranty service, please visit us at www.waterworks.com or contact our Product Support Team.



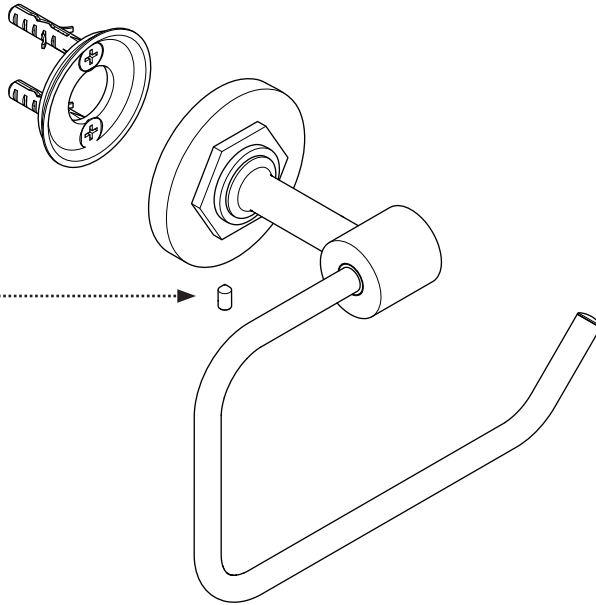
ESTB. 1978

WATERWORKS

MAIN KITS

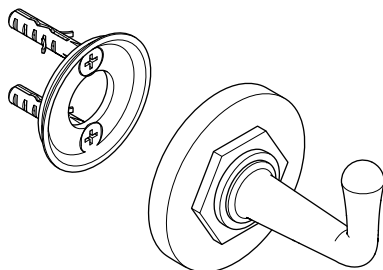
STYLES: HNP01, HNR01

103686
MOUNTING HARDWARE



103513
FASTENING SET SCREW

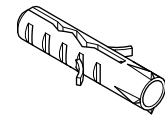
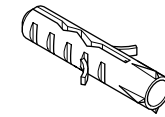
103686
MOUNTING HARDWARE



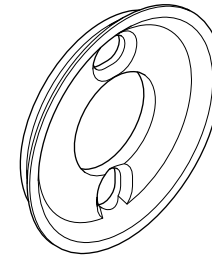
103513
FASTENING SET SCREW

*FINISH/COLOR MUST BE SPECIFIED WHEN ORDERING
++SUPPLIED AS A PAIR

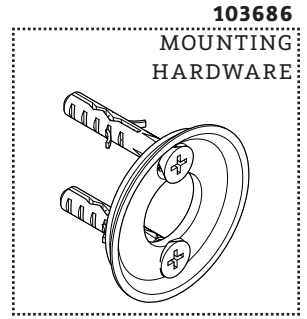
KIT COMPONENTS



ANCHOR

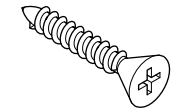


MOUNTING PLATE

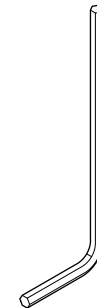
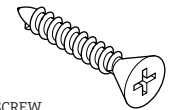


103686

MOUNTING
HARDWARE



SCREW



HEX KEY



ESTB. 1978

W A T E R W O R K S

SERVICE PARTS INDEX

<u>STYLE</u>	<u>DESCRIPTION</u>	<u>PG</u>
103513	FASTENING SET SCREW	2
103686	MOUNTING HARDWARE	3

STYLES: HNP01, HNR01

*FINISH/COLOR MUST BE SPECIFIED WHEN ORDERING
++SUPPLIED AS A PAIR

NOTES

DOCUMENT: SPHN19_REV01



ESTB. 1978

WATERWORKS

PRODUCT SUPPORT

60 BACKUS AVENUE
DANBURY, CT 06810

1 (800) 927-2120 (EXT 2)

WWW.WATERWORKS.COM