

NUVCTT000000 scarico traslato/adjustable flush system

codice
code



Vaso Nuvola a terra con scarico traslato
Nuvola floor standing Wc with adjustable flush system

biancolucido/shiny white

NUVCTT000000BI

cotone/cotton

NUVCTT000000CT

CM 55x35xh42

plt italy pz.12 - plt export pcs.20

kg 26,5

Tecnologie/technologies:



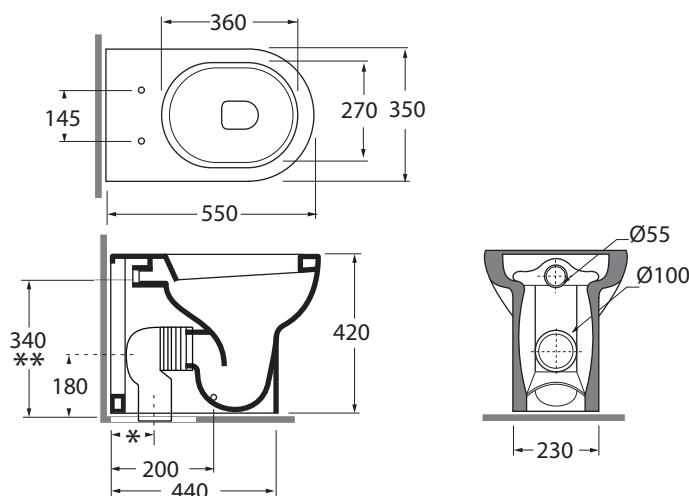
scarico traslato



watersaving

**	RDP
	mm 355 o mm 325

*	CVT	CVTK	CVTR
	180mm	da 60mm a 150 mm	da 160mm a 220 mm



scala/scale 1:20 dimensioni/dimensions in mm

COLORS 1250°

CT

cotone
cotton

Complementi/complements:

Codice
code



Sedile termoisolante frizionato per vaso 55cm a sgancio rapido
Wrapover thermosetting soft close cover-seat for cm55 with quick release

bianco lucido/ shiny white

NUV 1818/F

cotone/cotton

NUV 1818 M/F



Sedile termoisolante avvolgente con chiusura frizionata
Wrapover thermosetting soft close

bianco lucido/ shiny white

NUV 1800/F

cotone/cotton

NUV 1800 M/F



Sedile termoisolante avvolgente per vaso
Wrapover thermosetting cover-seat

bianco lucido/ shiny white

NUV 1800



Curva tecnica per wc TRASLATO con distanza parete
* (solo per questa collezione da 60 a 150 mm)
Technical bend for adjustable flush system wc with wall
distance ranging from 60 mm to 130 mm
(*only for this collection)

CVTK



Curva tecnica per wc TRASLATO con distanza parete
* (solo per questa collezione da 160 a 220 mm)
Technical bend for adjustable flush system wc
with wall distance ranging from 160 mm to 200 mm
(*only for this collection)

CVTR



Raccordo eccentrico per entrata acqua
* (solo per questa collezione H380 o H350mm)
Eccentric joint for mm H380 or H350mm
waterinlet (*only for this collection)

RDP



Curva tecnica per vaso normale e monoblocco
Technical bend for standing and close coupled wc

CVT

TECHNICAL SHEET n°: 01	DESIGNER: ANGELETTI RUZZA	CODE: NUVCTP046000	Azzurra sanitari in ceramica S.p.a. via Civita Castellana snc 01030 Castel S.Elia (VT) - ITALY Tel. +39.0761 518155 Fax. +39.0761 514560	
SHEET FORMAT: A4	ISO	REVISION: 02	SCALE: 1:20	DATE: 29/07/2019
REGULATIONS: CE EN 997 / EN33 / Dop-997 *				
All the measurements respect the tolerances provided by the "AZZURRA QUALITY GUIDELINES".				



* Regulations here shown are exclusively referred to ceramic items