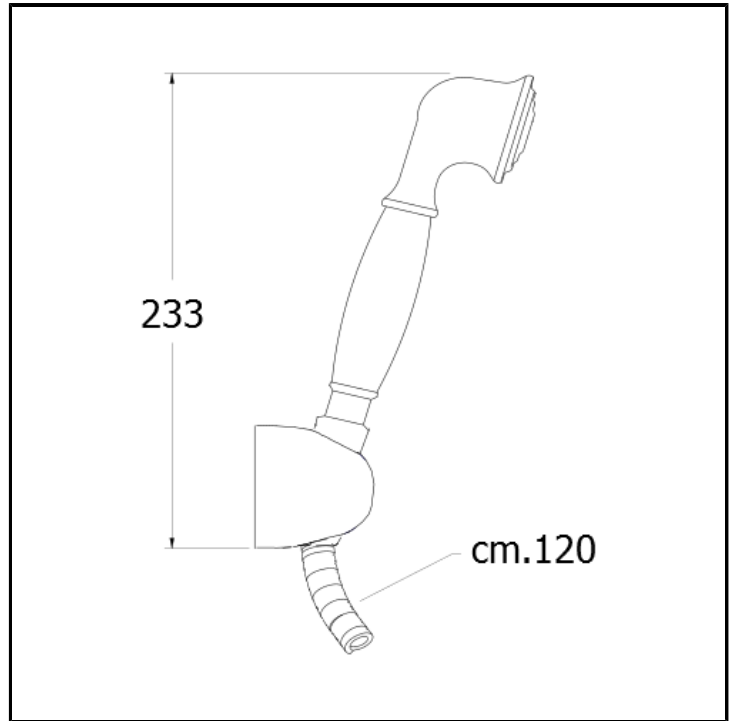


# CRIPD659

Hand shower holder with anti-lime hand shower and flexible hose



## FINITURE

 Chrome

## CHARACTERISTICS

- 

## FEATURES FROM TECHNOLOGIES

- 

## INSTALLATION

- Wall

## TPOLOGY

- 

- 

## ENVIRONMENT

- Bathroom