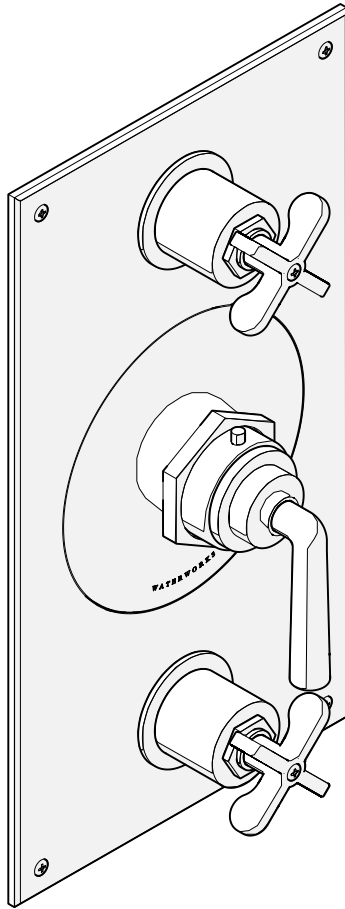


# HENRY

Thermostatic with Shutoff Trims

# INSTALLATION GUIDELINES

Metal Lever Handle Thermostatic with Metal Cross Handle Shutoff Trims  
Style No. HNTH30  
Code No. HNSV30



### SPECIFICATIONS:

Control Valve Rough-In Depth: 2-1/8" MIN - 3-1/8" MAX  
Hot Limit Safety Stop: Yes

### REQUIRED PLUMBING DETAILS:

Henry Thermostatic Valve  
STYLE No. GUTH47  
CODE No. GUSV47R

### IMPORTANT:

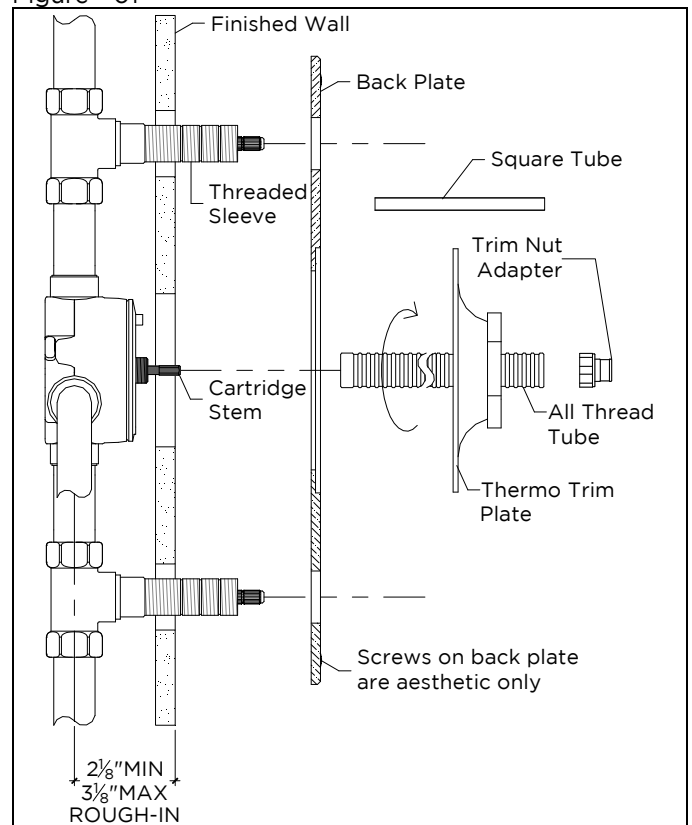
- To ensure this product is installed properly, you must read and follow these guidelines.
- The owner/user of this product must keep this information for future reference.
- This product is intended to work with the Henry Thermostatic Valve which features anti-scald protection. The risk of scalding exists until the installer has properly calibrated/adjusted the temperature setting during final trim installation.

- Be sure your installation conforms to federal state, and local codes. In the State of Massachusetts, all installations must comply with the rules and regulations set forth within 248 CMR.
- This product must be installed by a professional licensed contractor and must be onsite prior to rough-in, this allows the installer to visualize the installation.
- This product and the required valve (GUTH47) **CANNOT** be installed horizontally. This product must be installed with all the handles aligned vertically as shown in the image to the left.
- Use only a strap wrench or protected/smooth-jaw wrench on any finished surface.
- DO NOT use putty on fittings.

### TRIM INSTALLATION :

- See Figure - 01 for steps 1 & 2
1. Remove the tile guards from the valve.
  2. Unthread the trim nut adapter from the all thread tube, remove the square tube, then thread the all thread tube onto the cartridge stem.

Figure - 01



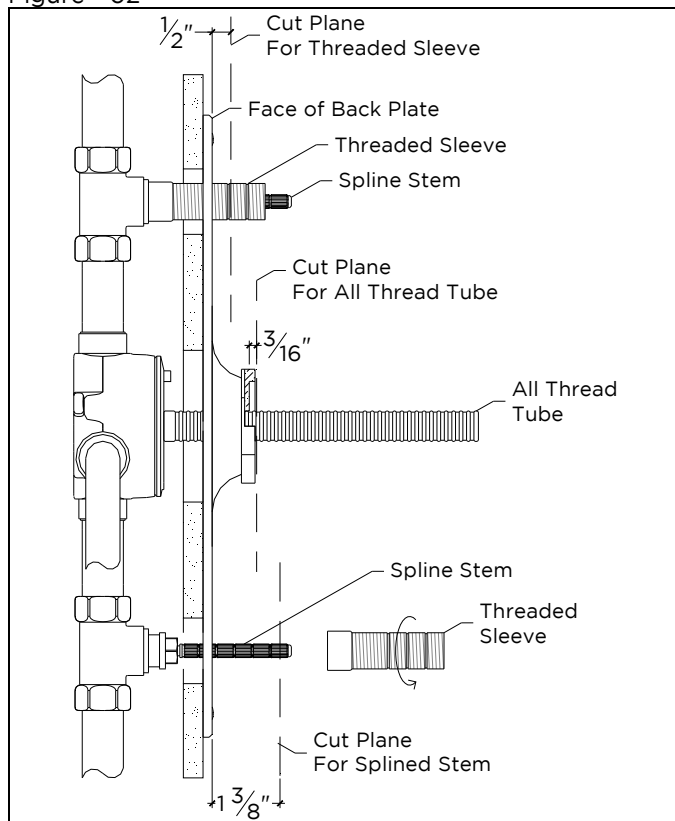
These guidelines have been prepared for the professional contractor to aid in the installation of:  
HENRY METAL LEVER HANDLE WITH THERMOSTATIC WITH METAL CROSS HANDLE SHUTOFF TRIMS (STYLE# HNTH30)

All dimensions are based on original specification and are subject to change and variation.  
Please consult your Design Associate for current specifications.  
SEE SERVICE PART DOCUMENT FOR PART ORDERING, AVAILABLE ON WATERWORKS.COM

# WATERWORKS

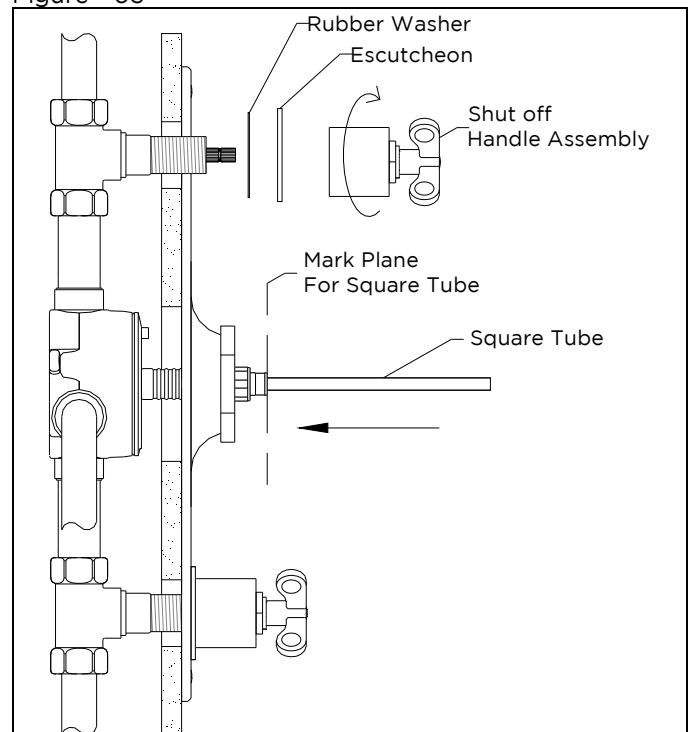
3. Hold the back plate up to the finished wall and slide the thermo trim plate over the all thread tube. Make sure the thermo trim plate is centered on the back plate and the threaded sleeves on the shut-off valves pass through the holes on the back plate.
  - See Figure - 02 for steps 4 - 8
4. While holding the back plate and thermo trim plate against the finished wall, mark the all thread tube at a point  $\frac{3}{16}$ " beyond where it protrudes from the trim plate. Make a mark on the threaded sleeves that is  $\frac{1}{2}$ " from the front face of the back plate.
5. Remove the threaded sleeves from the shut-off valves and make marks on the splined stems that are  $1\frac{3}{8}$ " from the front face of the back plate.
6. Remove the trim plate, the back plate, the all thread tube and the threaded sleeves from the valve. Cut the all thread tube and threaded sleeves at the marks made in Step 4. DO NOT cut the ends that have the internal threads.
7. Cut the splined stems at the marks made in Step 5.
8. Re-attach the all thread tube and threaded sleeves then hold the back plate against the finished wall and slide the trim plate is centered and fits properly into the opening in the back plate.

Figure - 02



- See Figure - 03 for steps 9 - 12
9. Tightly thread the trim nut onto the all thread tube. This will hold the trim plate to the back plate against the wall.
10. Slide the escutcheons, with rubber washers behind them, over the 2 cut threaded sleeves. Tighten the shut-off handle assemblies on the threaded sleeves, making sure the escutcheon is centered and the handle is in the correct orientation.
11. Fully insert the square tube into the trim nut, then by feel, make sure it slides over the stem and stops against the valve cover plate. When seated properly onto the stem, the square tube will have rotational resistance.
12. Mark the square tube at the point where it passes through the face of the trim nut. Remove the square tube and cut it  $\frac{1}{8}$ " behind the mark that was just made. Re-insert the tube back into the trim nut making sure it is slightly recessed into the nut.

Figure - 03

**TEMPERATURE CALIBRATION:**

- See Figure - 04 for Steps 13 - 17
- The risk of scalding exists until the installer has properly calibrated the temperature setting.
13. Turn on the water supply and one of the shut-off valves to run water through the valve and insert a bladed screw driver into the square tube.

These guidelines have been prepared for the professional contractor to aid in the installation of:  
HENRY METAL LEVER HANDLE WITH THERMOSTATIC WITH METAL CROSS HANDLE SHUTOFF TRIMS (STYLE# HNT30)

All dimensions are based on original specification and are subject to change and variation.

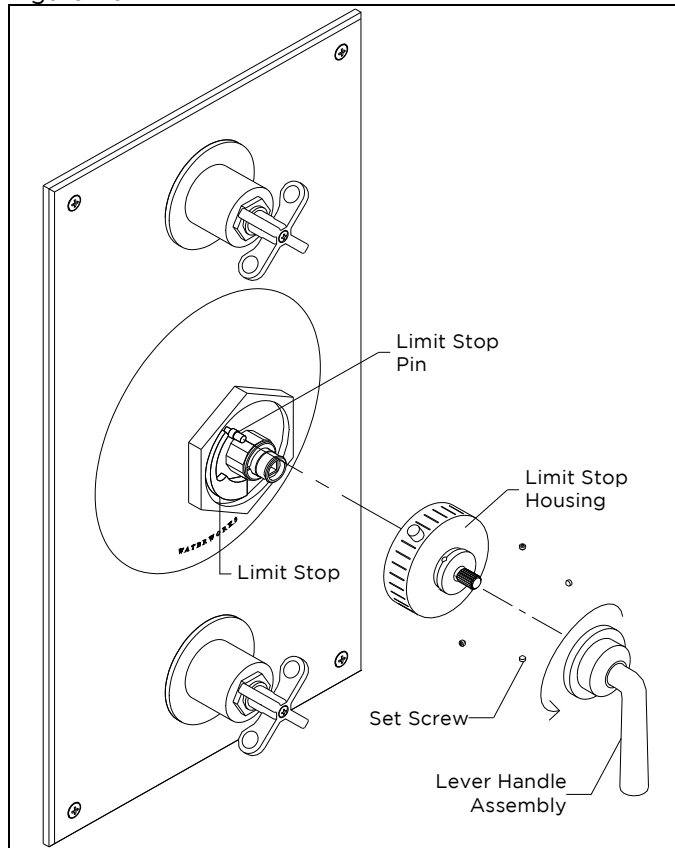
Please consult your Design Associate for current specifications.

SEE SERVICE PART DOCUMENT FOR PART ORDERING, AVAILABLE ON WATERWORKS.COM

WATERWORKS

14. Slowly rotate the square tube clockwise to attain full cold, then rotate it counterclockwise to attain full hot. Verify a full range of temperature exists. Note: It is approximately 2 complete rotations from full cold to full hot.
15. With water running, rotate the square tube to adjust the temperature to the maximum desired bathing temperature, verified with a thermometer. Turn the water off and make sure not to change this temperature.
16. Unthread the lever handle assembly from the limit stop housing and loosen the set screws on the housing.
17. Insert the limit stop assembly onto the trim nut, making sure the limit stop pin makes contact with the limit stop on the trim plate, then tighten the set screws.

Figure - 04

**INSPECT THE INSTALLATION:**

18. Turn the limit stop assembly clockwise, turn the water on and confirm the limit stop functions properly by turning it counterclockwise at which point it should stop.
  19. Verify the temperature to be the maximum temperature set in Step 15. If it is not the correct temperature, repeat the calibration procedures.
  20. To get a hotter temperature, press and hold the limit stop button then rotate the limit stop until it stops. It is NOT recommended to exceed the safety limit stop of 110 degrees.
  21. Re-attach the lever handle assembly to the limit stop assembly.
- If further assistance is required, please contact Product Support at 1-800-927-2120 (8am-6pm EST).
  - See service part document for parts ordering, available on WATERWORKS.COM.

These guidelines have been prepared for the professional contractor to aid in the installation of:  
**HENRY METAL LEVER HANDLE WITH THERMOSTATIC WITH METAL CROSS HANDLE SHUTOFF TRIMS (STYLE# HNTH30)**

All dimensions are based on original specification and are subject to change and variation.  
 Please consult your Design Associate for current specifications.

**SEE SERVICE PART DOCUMENT FOR PART ORDERING, AVAILABLE ON WATERWORKS.COM**

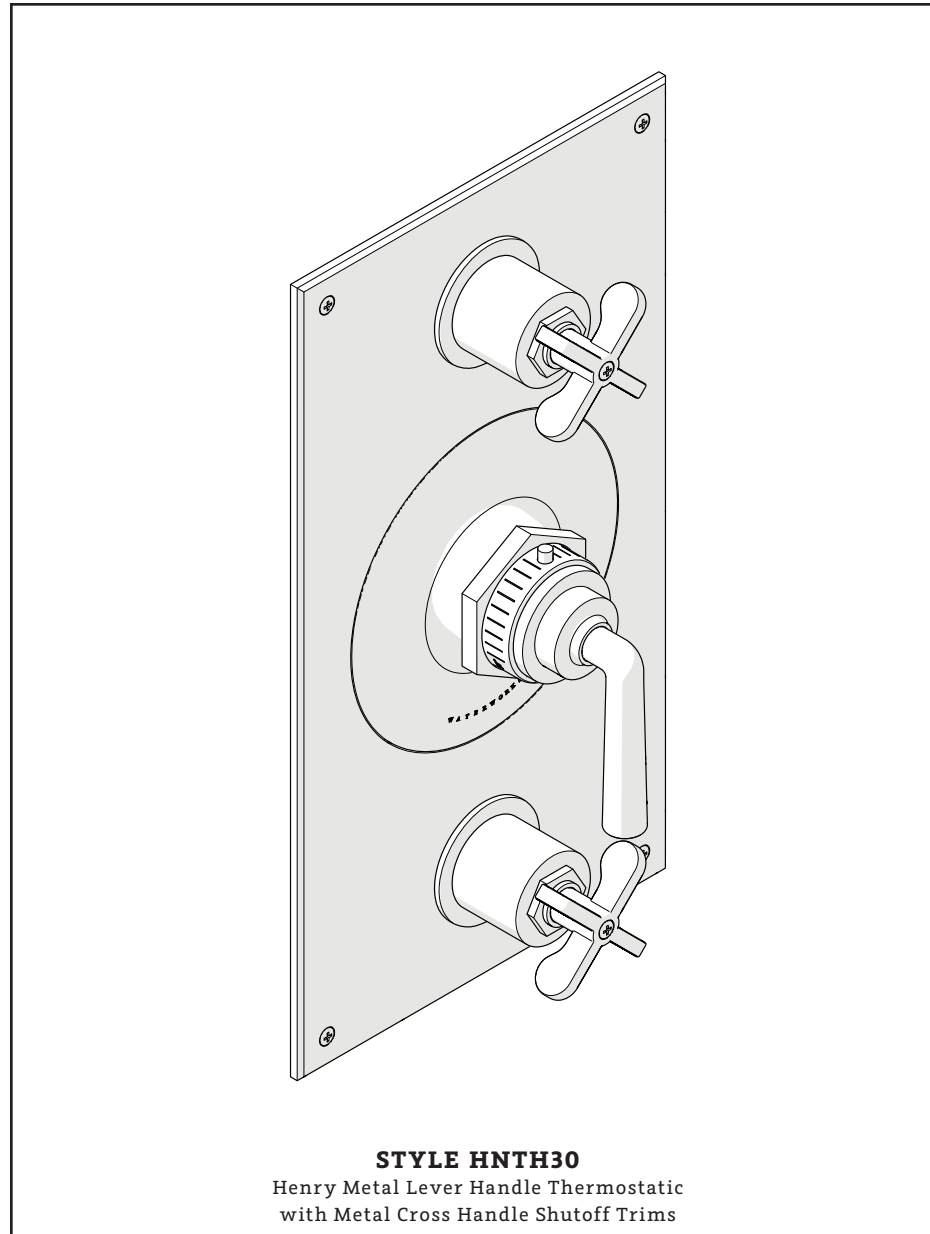
WATERWORKS



ESTB. 1978

# WATERWORKS

## SERVICE PARTS



### **STYLE HNTH30**

Henry Metal Lever Handle Thermostatic  
with Metal Cross Handle Shutoff Trims

---

WELCOME TO

# WATERWORKS

For over three decades, Waterworks has transformed the bath through an absolute commitment to design authenticity, innovation and quality. A blend of scholarly appreciation and applied experience guarantees mechanical integrity, meticulous craftsmanship, and timeless designs.

---

**TO ORDER PARTS CALL  
1 (800) 927-2120 (EXT 2)**

Order by part number and specify color, finish, or other options if required.

**PRODUCT SUPPORT**

Our Product Support team provides troubleshooting and technical problem resolution, including replacement parts and installation recommendations throughout the life of your product.

Product Support is available Monday through Friday, 8AM-6PM EST.

**LIMITED LIFETIME  
WARRANTY**

Our warranty covers repair and replacement of Waterworks products if within the applicable coverage period and deemed defective by Waterworks. Waterworks will, at its option, repair or replace such products; this does not include installation costs, labor charges, or other incidental or consequential costs.

To obtain your complete warranty or inquire about warranty service, please visit us at [www.waterworks.com](http://www.waterworks.com) or contact our Product Support Team.



ESTB. 1978

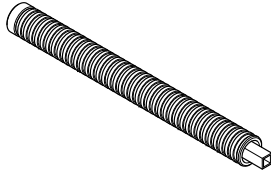
WATERWORKS

**MAIN KITS**

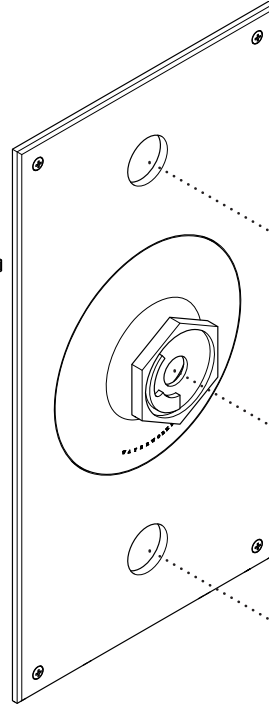
**STYLES: HNTH30**

\*FINISH/COLOR MUST BE SPECIFIED WHEN ORDERING  
++SUPPLIED AS A PAIR

**812191**  
TRIM CONNECTOR



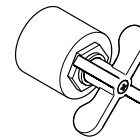
**103765\***  
FACEPLATE TRIM



**103764\***  
ESCUTCHEON



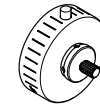
**103717\***  
CROSS HANDLE



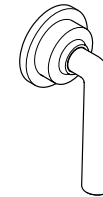
**594565**  
TRIM NUT



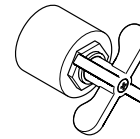
**103760\***  
LIMIT STOP



**103762\***  
LEVER HANDLE



**103717\***  
CROSS HANDLE



**103764\***  
ESCUTCHEON



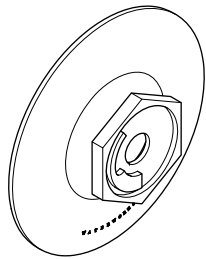
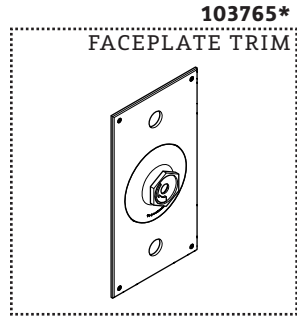
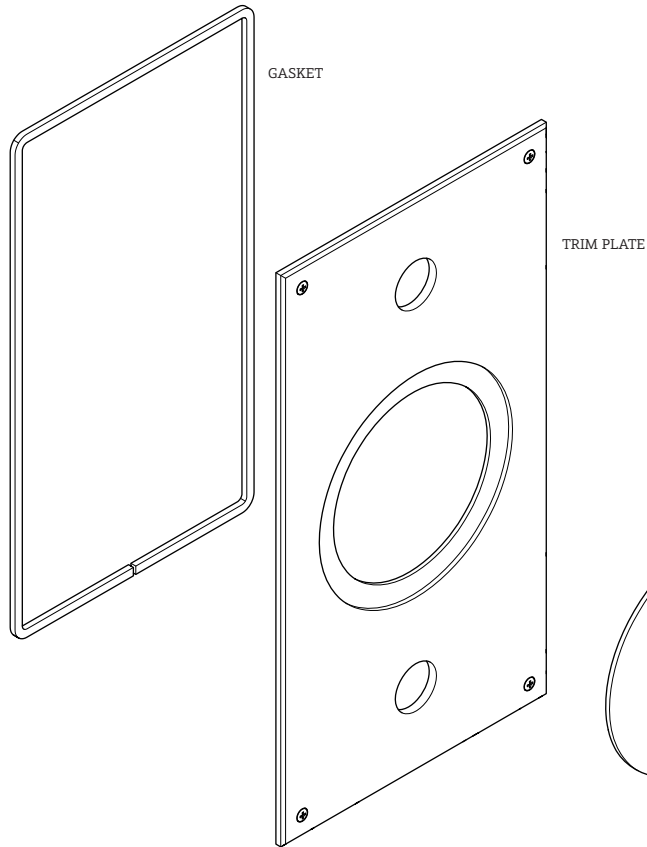


ESTB. 1978

WATERWORKS

**KIT COMPONENTS**

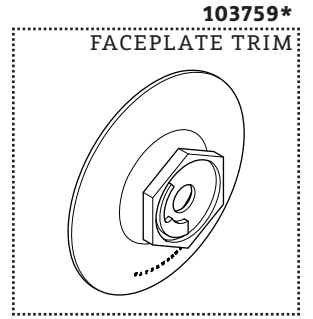
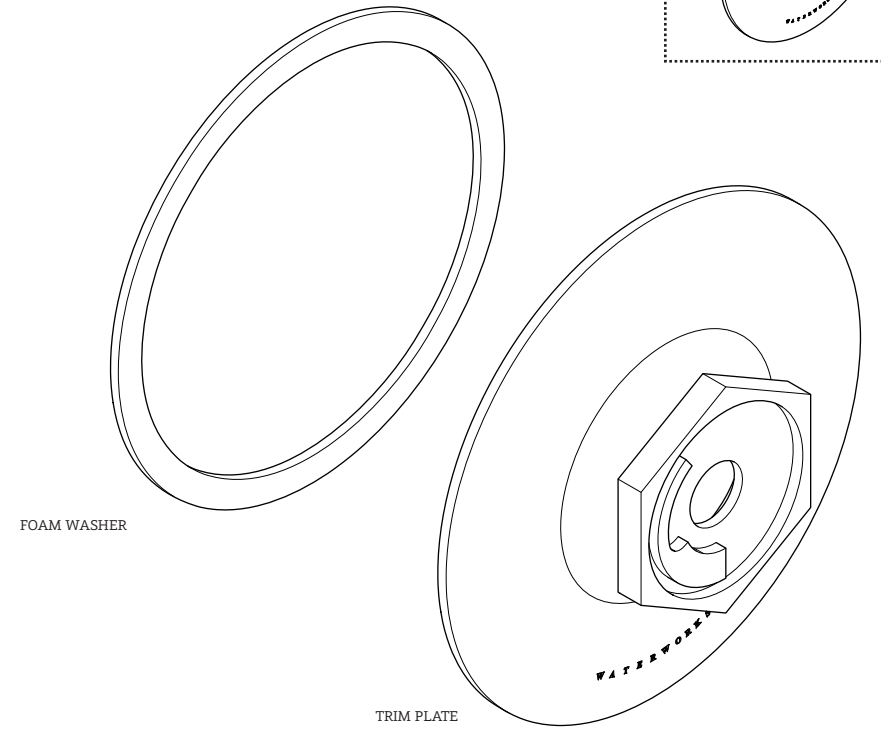
**STYLES: HNTH30**



**103759\***  
FACEPLATE TRIM

\*FINISH/COLOR MUST BE SPECIFIED WHEN ORDERING  
++SUPPLIED AS A PAIR

**KIT COMPONENTS**





ESTB. 1978

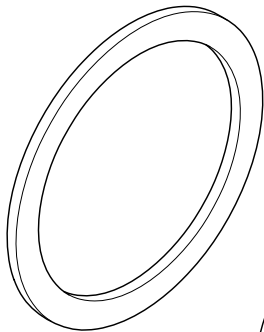
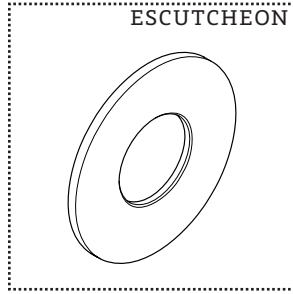
WATERWORKS

## KIT COMPONENTS

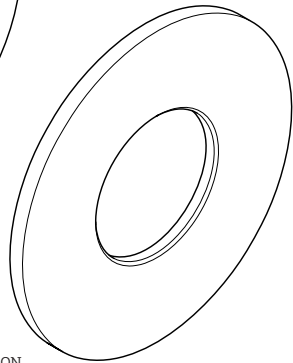
STYLES: HNTH30

103764\*

ESCUTCHEON



RUBBER WASHER



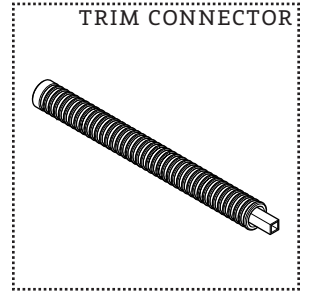
ESCUTCHEON

\*FINISH/COLOR MUST BE SPECIFIED WHEN ORDERING  
++SUPPLIED AS A PAIR

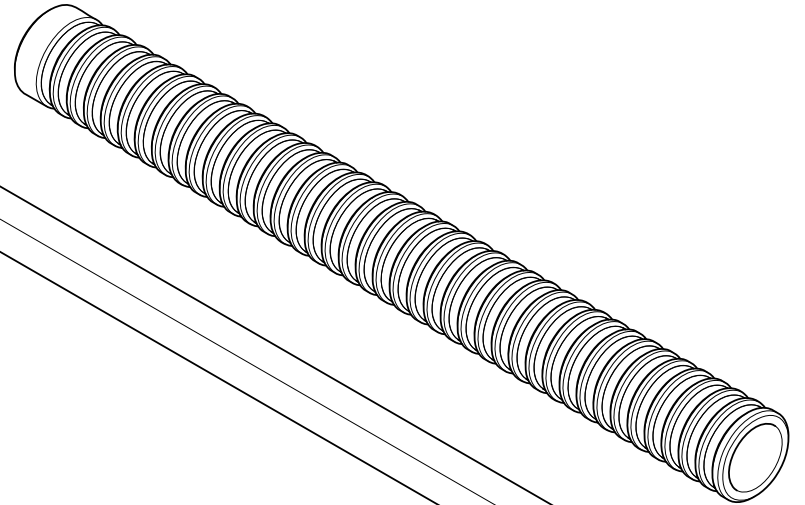
## KIT COMPONENTS

812191

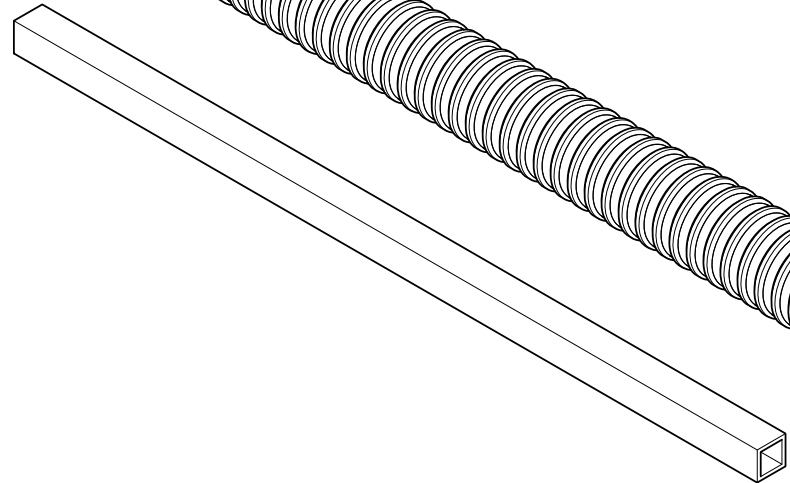
TRIM CONNECTOR



ALL THREAD TUBE



SQUARE TUBE





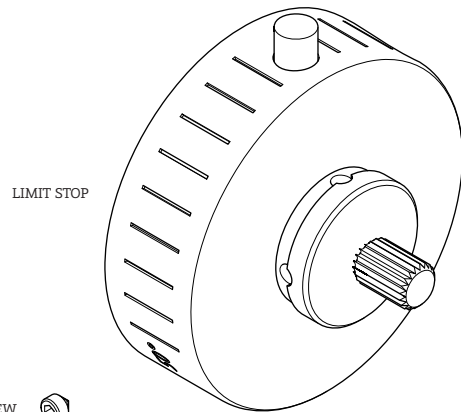
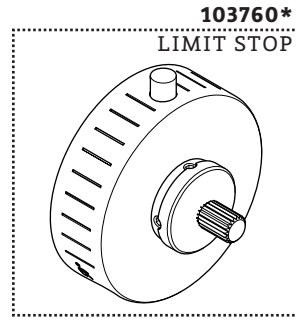


ESTB. 1978

WATERWORKS

### KIT COMPONENTS

**STYLES: HNTH30**



\*FINISH/COLOR MUST BE SPECIFIED WHEN ORDERING  
++SUPPLIED AS A PAIR

### SERVICE PARTS INDEX

<u>STYLE</u>	<u>DESCRIPTION</u>	<u>PG</u>
103717*	CROSS HANDLE	3
103764*	ESCUTCHEON	6
103759*	FACEPLATE TRIM	5
103765*	FACEPLATE TRIM	4
103746	FASTENING SET SCREW	8
103762*	LEVER HANDLE	3
103760*	LIMIT STOP	8
812191	TRIM CONNECTOR	7
594565	TRIM NUT	3



ESTB. 1978

WATERWORKS

**PRODUCT SUPPORT**

60 BACKUS AVENUE

DANBURY, CT 06810

1 (800) 927-2120 (EXT 2)

[WWW.WATERWORKS.COM](http://WWW.WATERWORKS.COM)