

Material

- Metal construction.

Installation

- Wall-mount installation with slip-fit connection and NPT threads.

Recommended Products/Accessories

K-23723 Faucet cleaner



Codes/Standards

ASME A112.18.1/CSA B125.1

KOHLER® Faucet Lifetime Limited Warranty

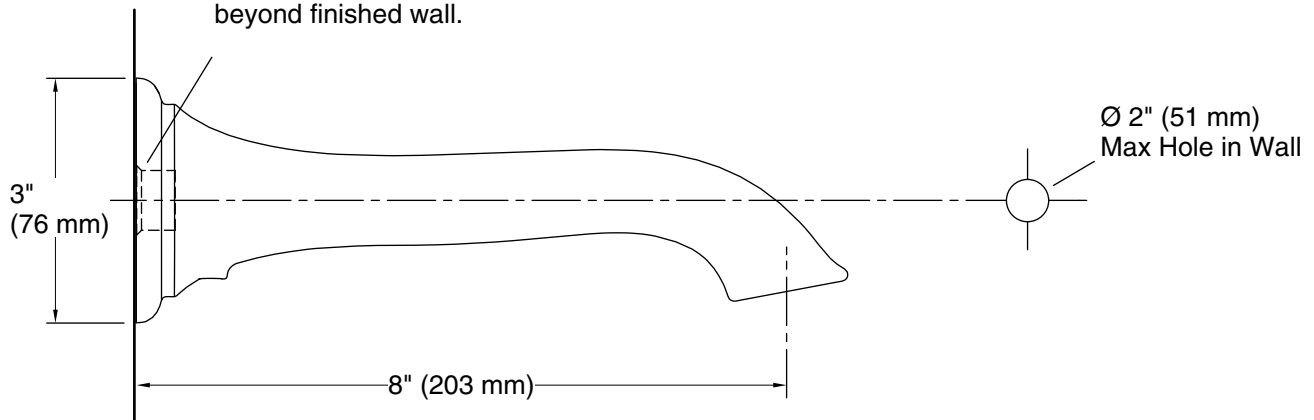
See website for detailed warranty information.

Available Colors/Finishes

Color tiles intended for reference only.

Color	Code	Description
	CP	Polished Chrome
	SN	Vibrant® Polished Nickel
	BN	Vibrant® Brushed Nickel
	BV	Vibrant® Brushed Bronze
	2BZ	Oil-Rubbed Bronze
	VNT	Vintage Nickel

For slip-fit spout, 5/8" OD tube
must extend 2-1/2" (64 mm)
beyond finished wall.
For threaded spout, 1/2" NPT pipe
must extend 1-3/4" (44 mm)
beyond finished wall.



Technical Information

All product dimensions are nominal.

Notes

Install this product according to the installation guide.