

Features

- Performance showering packages offer increased functionality and simplify the ordering process.
- Single lever handle provides on/off activation and temperature setting with a single operation.
- Multifunction showerhead offers wide coverage, therapeutic massage, and soft aerated spray settings.
- Multifunction handshower offers wide soft coverage, soft pulse, and soft aerated spray settings.
- Includes handshower, showerhead, shower arm with diverter, shower hose, sidebar kit, and Rite-Temp® valve trim.
- Coordinates with Bancroft faucets and accessories.

Material

- KOHLER finishes resist corrosion and tarnishing.

Installation

- Wall-mount.

Recommended Replacements

- This product is replaced by 22178.

Required Products/Accessories

K-304/K-P304 Series Rite-Temp® Valves

or

K-8304/K-P8304 Series Rite-Temp® Valve & Cartridge Kits

or

K-8300/K-P8300 Series Rite-Temp® Valve Body Rough-ins

K-8305/K-P8305 Series Rite-Temp® Cartridges

or

K-2971-KS 3/4" Pressure-balancing Valve

Recommended Products/Accessories

K-23723 Faucet cleaner

Optional Products/Accessories

K-10350 Deep Rough-In Kit For K-8305 Cartridges

K-10351 Test Cap For K-8300 Series Valve Bodies

Included Components

Product consists of:

K-9514 60" Shower Hose

K-9511 Showerarm and Diverter

K-8524 30" Sidebar

K-10591 Multifunction Showerhead

T10584-4

K-349 Sidebar Trim Kit

1055527 Handshower Relaxing



Codes/Standards

ASME A112.18.1/CSA B125.1

DOE - Energy Policy Act 1992

KOHLER® Faucet Lifetime Limited Warranty

See website for detailed warranty information.

Available Colors/Finishes

Color tiles intended for reference only.

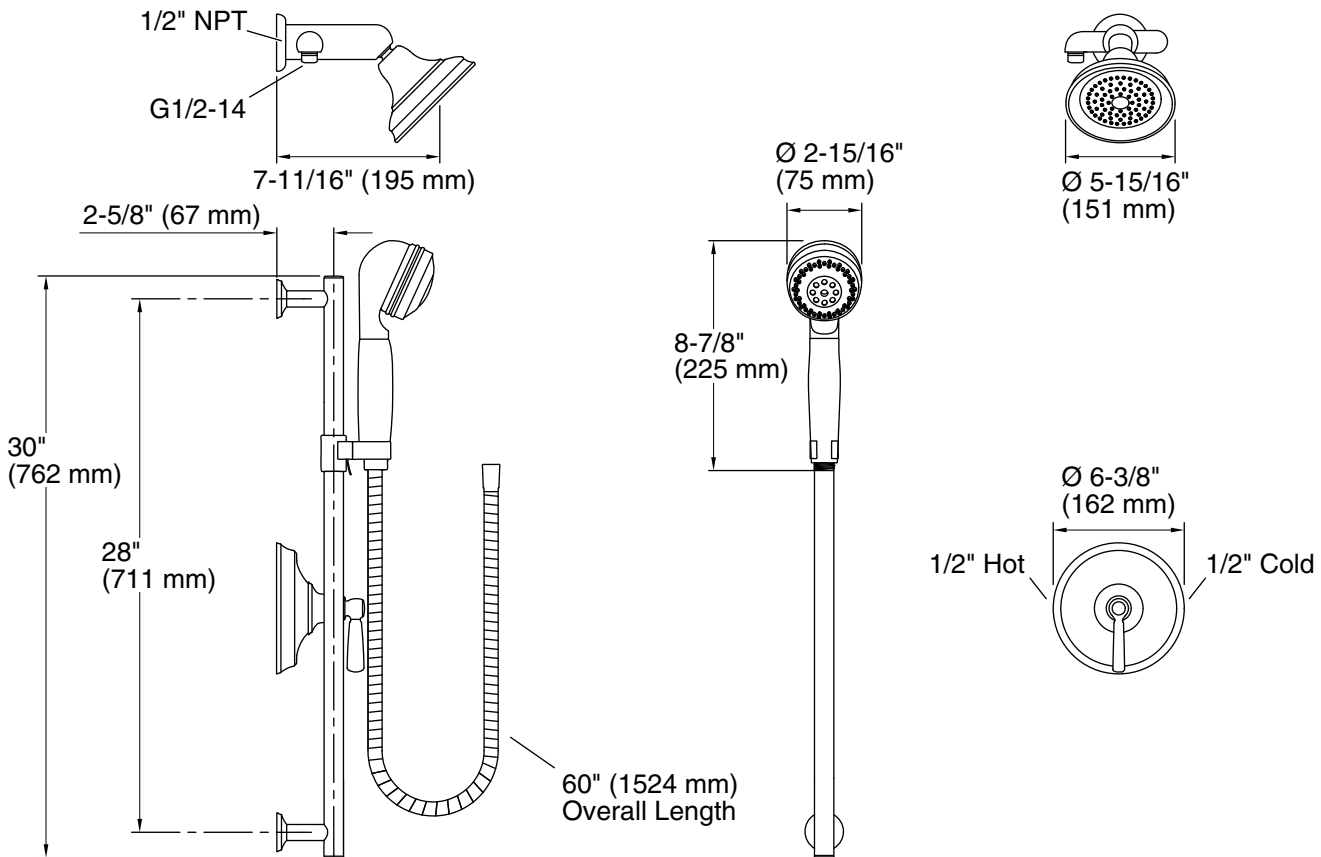
Color	Code	Description
-------	------	-------------



CP Polished Chrome



BN Vibrant® Brushed Nickel



Technical Information

All product dimensions are nominal.

Drain included: No

Handshower:

Rated maximum flow: 2.5 gal/min (9.5 l/min)

Pressure: 80 psi (5.5 bar)

Showerhead/Body Spray:

Rated maximum flow: 2.5 gal/min (9.5 l/min)

Pressure: 80 psi (5.5 bar)

Notes

Install this product according to the installation guide.

Avoid cross-flow conditions. Do not install shut-off device on either valve outlet.

Install straight pipe or tube drop of 7" (178 mm) to 18" (457 mm) with single elbow between valve and wall-mount spout.