

TOILET BRUSH SET AC761



113 x 391 x 121 mm

- Toilet brush set made of 6 or 3 mm thick, germ-reducing and easy-care stainless steel (AISI 304), visible surfaces bead-blasted.
- Square base plate, with three-point attachment set back behind and anti-theft locking screw at the bottom.
- Brush head replaceable.
- Cup removable. Internal stop bolt for optimum brush-position.
- Cup inner diameter 84 mm
Cup height 130 mm
- Mounting with three screws.
- Delivery includes fixing material.
- Weight, including single package: 2.0 kg

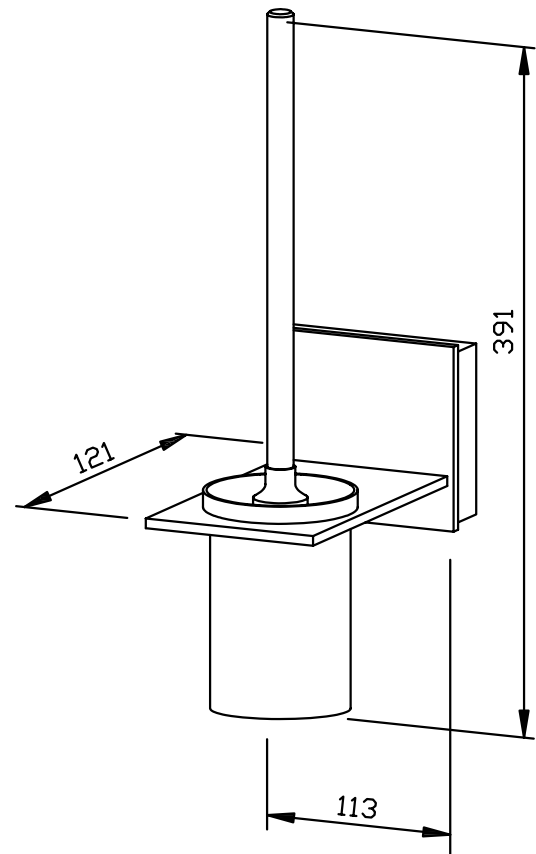


Suggested text for specifications:

Toilet brush set made of 6 or 3 mm thick, germ-reducing and easy-care stainless steel (AISI 304), visible surfaces bead-blasted, for surface mounting. Square base plate, with three-point attachment set back behind and anti-theft locking screw at the bottom. Brush head replaceable, cup removable with internal stop bolt for optimum brush-position. Delivery includes fixing material.

Dimensions: 113 x 391 x 121 mm

Article No. AC761



Available surface	ID No.
bead blasted	700 761

Ernst Wagner GmbH & Co. KG

Ernst-Abbe-Straße 21 · D-72770 Reutlingen · Tel.: +49712151539-0 · Fax: -20
info@wagner-ewar.de · www.wagner-ewar.de

WAGNER
EWAR