

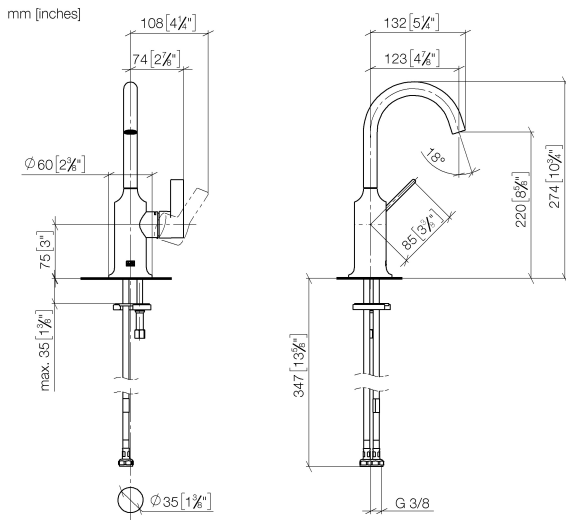
33 525 809



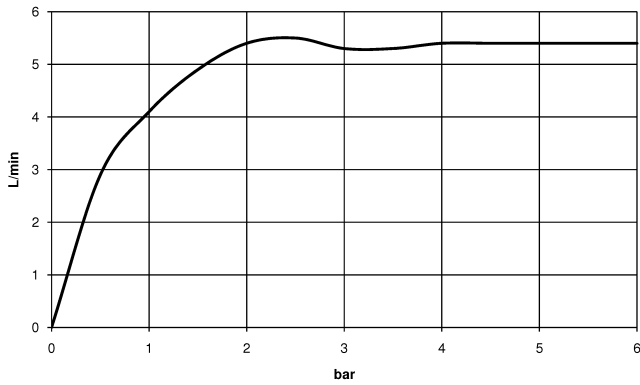
- 123mm projection
- pivotable spout 360°
- circular, air-enriched flow
- height of mixer 274 mm
- height up to aerator 220 mm
- hole diameter 35 mm
- 2x screw-in M 8 x 1 pressure hose, leak-tested
- max. flow 5.7 l/min
- lead-free
- This product can help a building meet the requirements of Green Building Rating Systems, e.g. LEED®, BREEAM®, DGNB
- WRAS 1810005

	Brushed Bronze	33 525 809-42
	Chrome	33 525 809-00
	Brushed Platinum	33 525 809-06
	Platinum	33 525 809-08
	Dark Chrome	33 525 809-19
	Brushed Durabronz (23kt Gold)	33 525 809-28
	Brushed Champagne (22kt Gold)	33 525 809-46
	Champagne (22kt Gold)	33 525 809-47
	Brushed Dark Platinum	33 525 809-99

33 525 809



Flow rate chart



Codes & Standards

DIN 4109

Executive Order
no. 1007

ISO 3822

Ü-Zeichen



VAIA Single-lever basin mixer without pop-up waste - Brushed Bronze

VAIA

33 525 809

Certificates

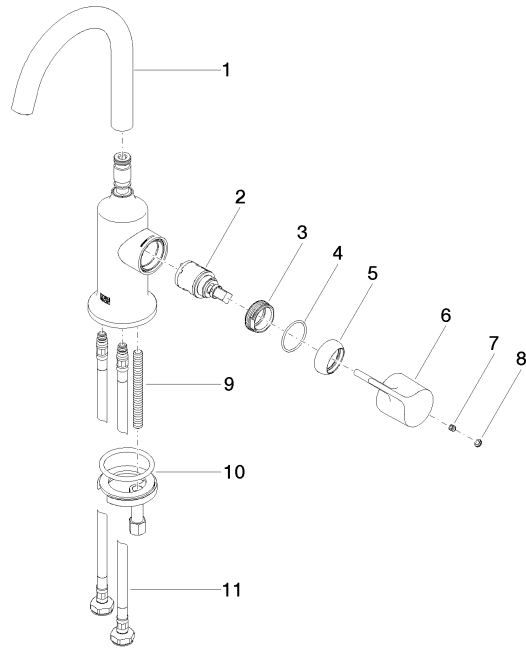
LGA_29

GDV_0400

33 525 809

Product version from 3/13/2017

Parts for other finishes can be found here: [Chrome](#)





VAIA Single-lever basin mixer without pop-up waste - Brushed Bronze

VAIA

33 525 809

Spare parts list

Product version from 3/13/2017

No.	Item Number	Name	Quantity used	Delivery time
	90 28 22 312 00-42	spout	12	30