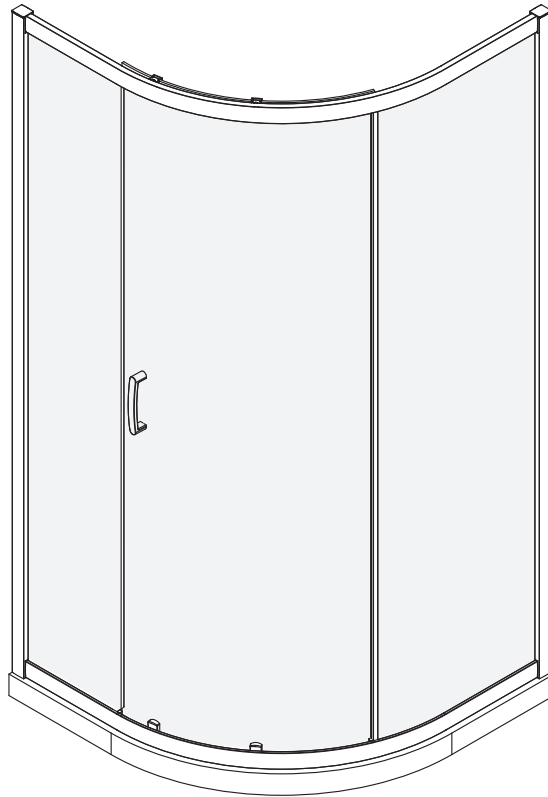


MERLYN



1 DOOR QUADRANT INSTALLATION GUIDE



Installation video

PATENT PENDING

IMPORTANT: Please read the complete instructions before commencing fitting.

Make sure the tray is 100% level in all directions.

Check that you have the tools required.

Check the installation site is compatible with the size of door supplied.

Check all the enclosure components are present.

Check the installation kit is complete.

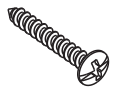
Do Not attempt to install the product unless you can tick all 4 boxes.

The wall plugs supplied with the installation kit are for use in solid walls. Hollow or 'stud partition' walls will require alternative fixings. Please consult a hardware supplier for the correct type. It may also be necessary to consult your tiling supplier about the correct method for drilling your tiles.

ATTENTION: TAKE EXTREME CARE WHEN HANDLING GLASS, WEAR PROTECTIVE EYEWEAR AND CLOTHING. DO NOT LEAVE THE GLASS ON HARD SURFACES AND AVOID CONTACT BETWEEN THE GLASS EDGES AND HARD SURFACES OR IMPACTS DURING THE INSTALLATION.

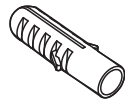
Fixing kit components

Wall screw



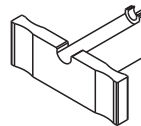
2SY51 x6

Wall plug



2SP12 x6

Installation tool



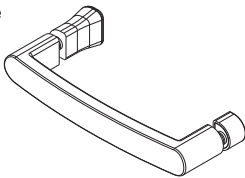
K023 x1

Hex key



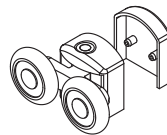
MG3MMALKEY x 1

Handle



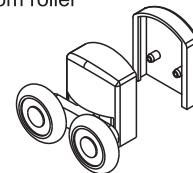
K024 x 1

Top roller



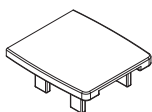
K048 x 2

Bottom roller



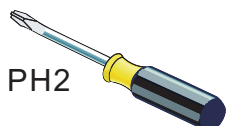
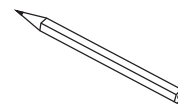
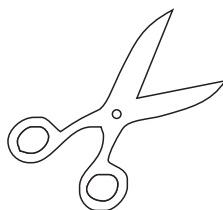
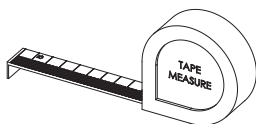
K049 x 2

Cover cap of wall profile

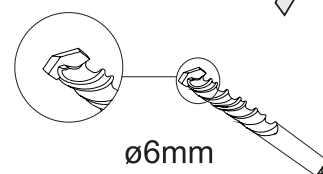
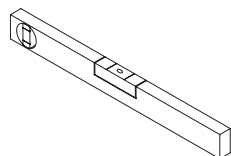


K010 x 2

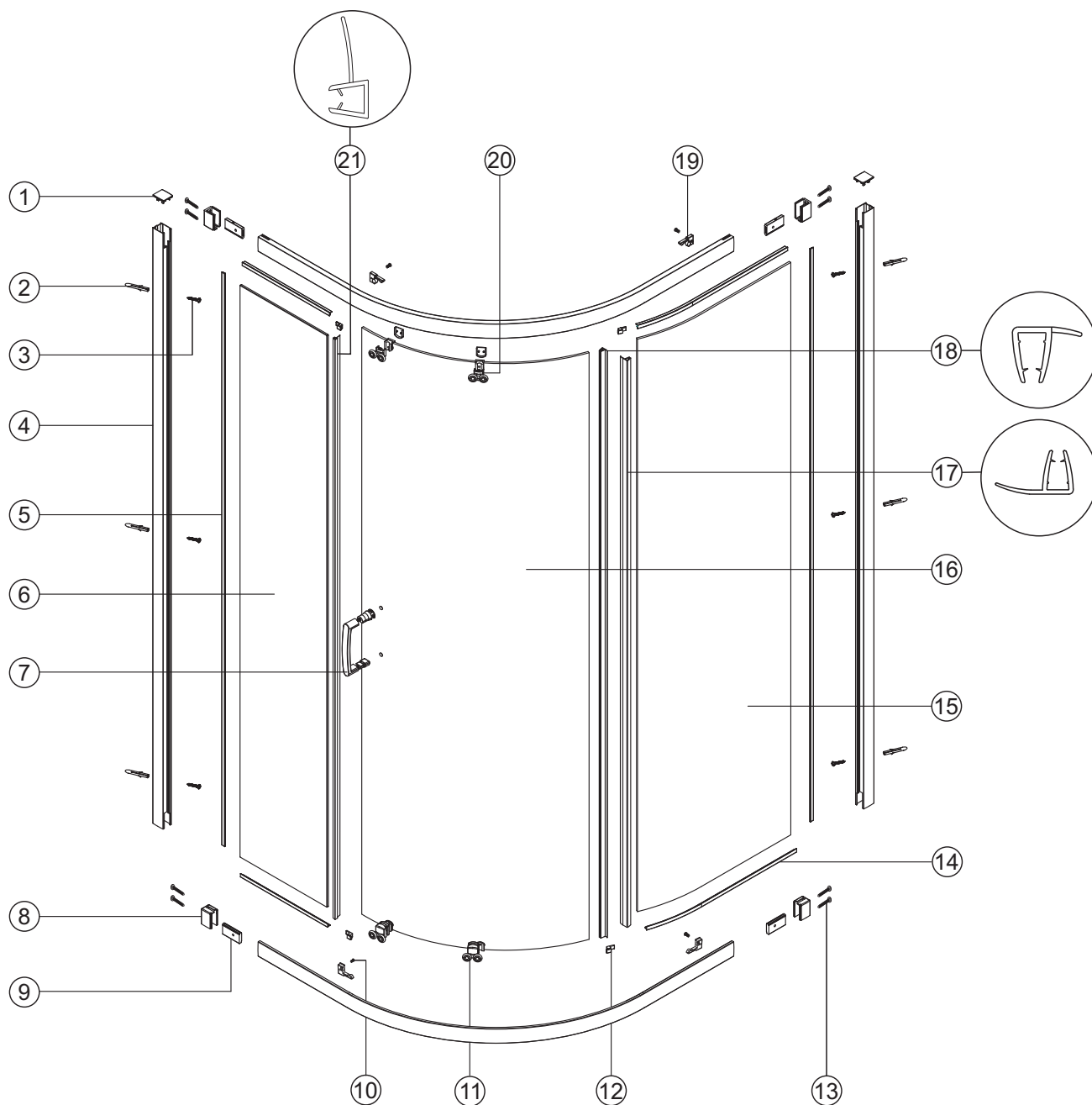
Tools required



PH2



ø6mm



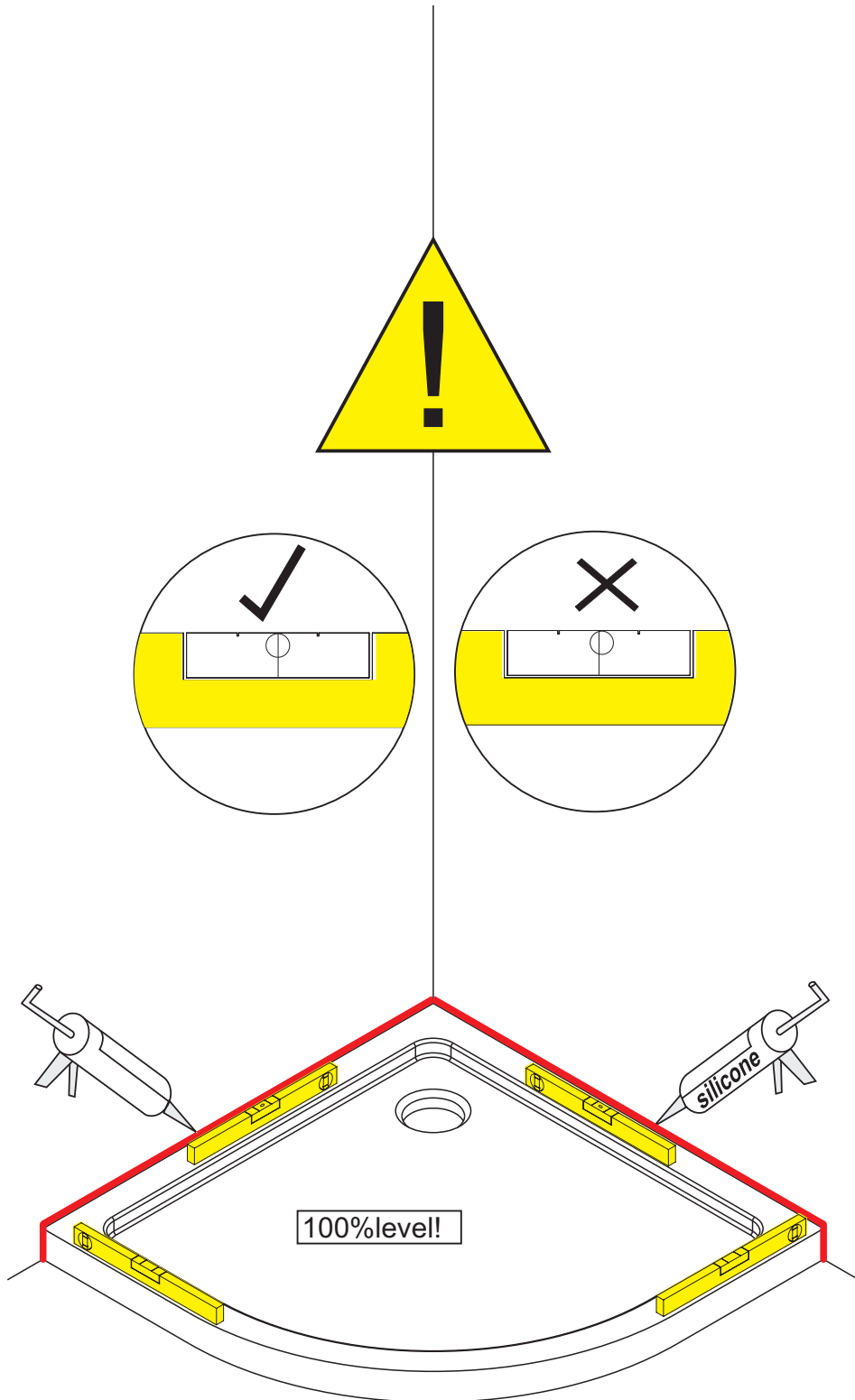
No.	Qty	Code
1	2	K010
2	6	2SP12
3	6	2SY51
4	2	K073
5	2	K165
6	1	A
7	1	K024
8	4	K001/002
9	4	K008/009
10	4	K158

No.	Qty	Code
11	2	K049
12	4	K143/K144
13	8	K145
14	4	K114
15	1	B
16	1	C
17	1	K122
18	1	K118
19	4	K005/006
20	2	K048

No.	Qty	Code
21	1	K137

1

Please ensure your tray is 100% level in all directions before fitting your enclosure.

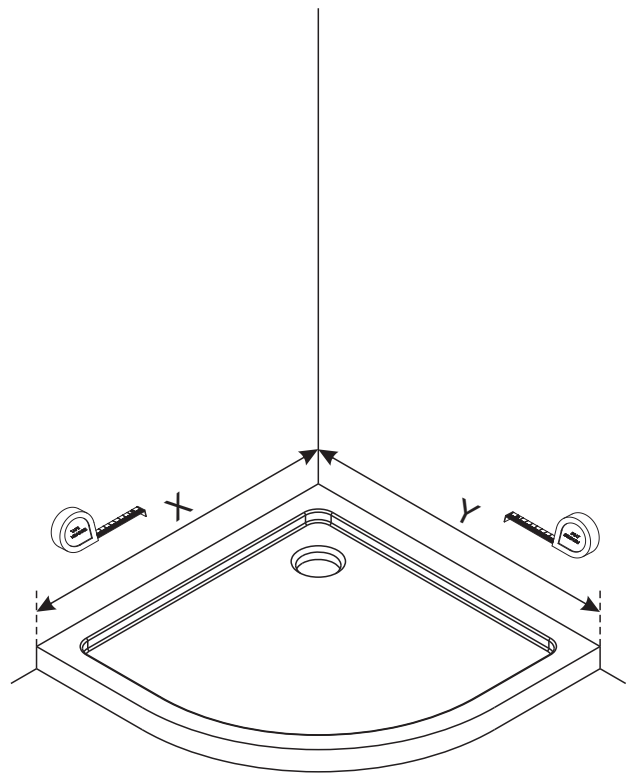


2

800x800 and 900x900 size have the same adjustment on each side.
 All other sizes are offset and can be fitted with the wider panel on either side depending on the handing of your tray. For offset sizes check which side the wider fixed panel is on and if needed swap X&Y.

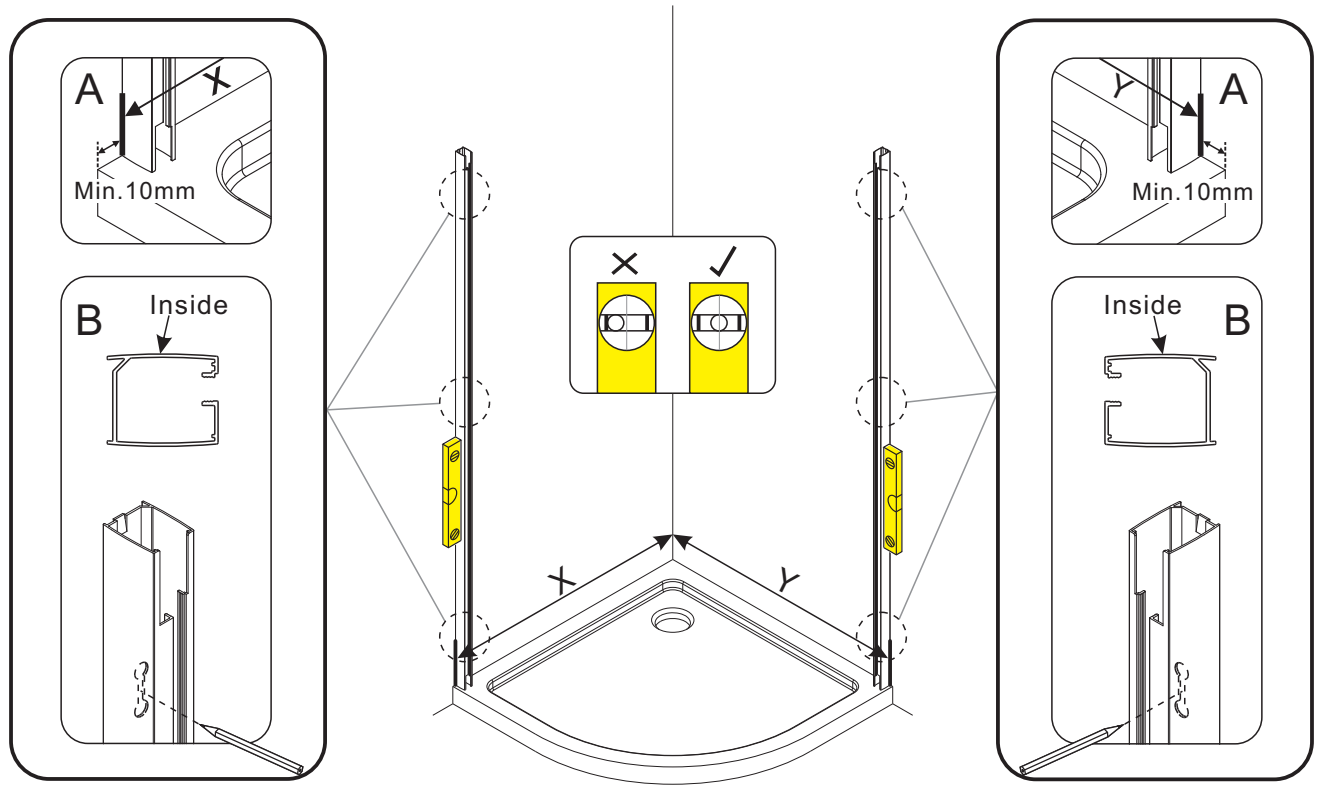
Sizes with equal adjustment both sides		
size	X	Y
800x800	770-790	770-790
900x900	870-890	870-890
1000x1000	970-990	970-990

Offset sizes		
size	X	Y
1000x800	970-990	770-790
1200x800	1170-1190	770-790
1200x900	1170-1190	870-890

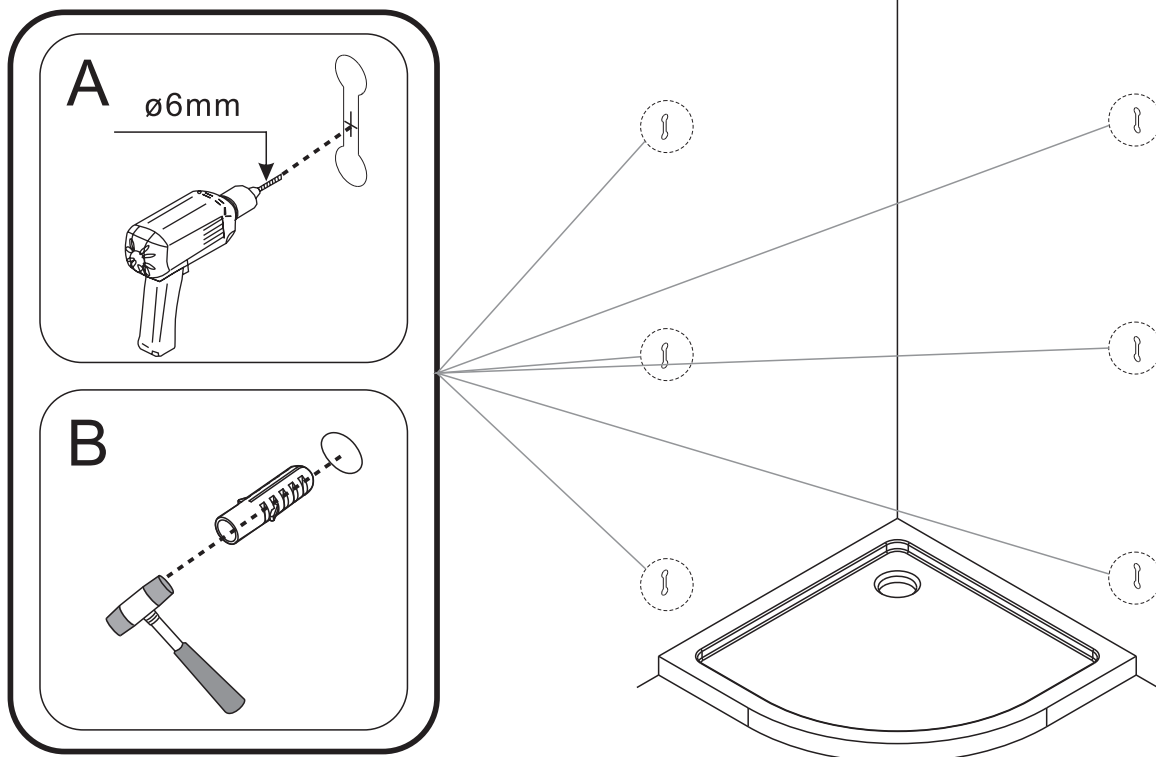


3

A. Mark the position of the outside of each wall profile within the adjustments in step 2.
 B. Before marking the fixing positions check the label on the back of the profile indicating the side of the profile to face inside !

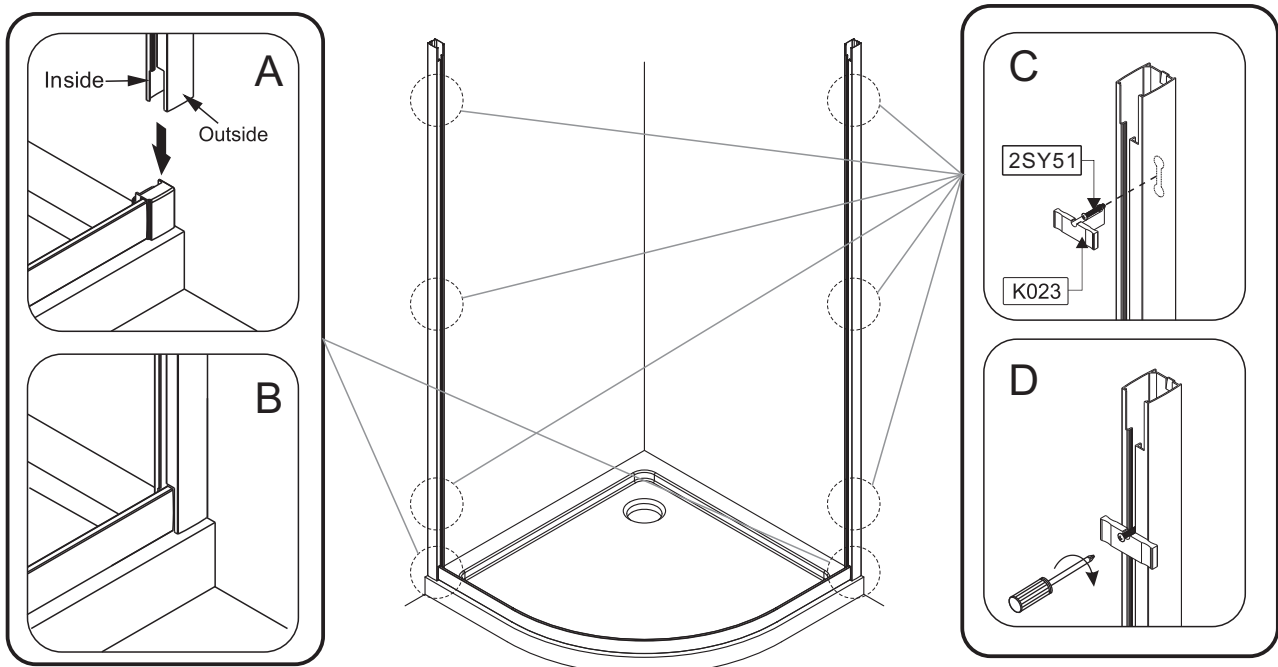


4

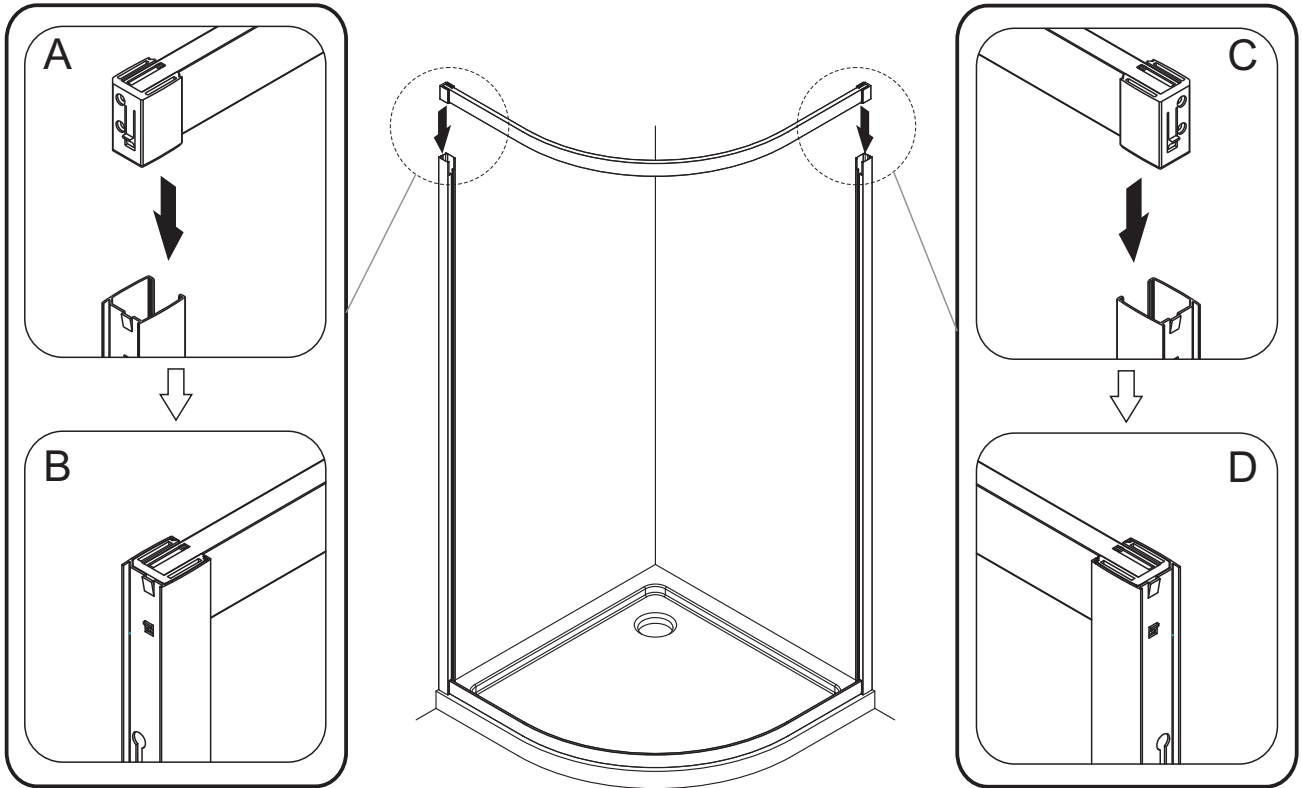


5

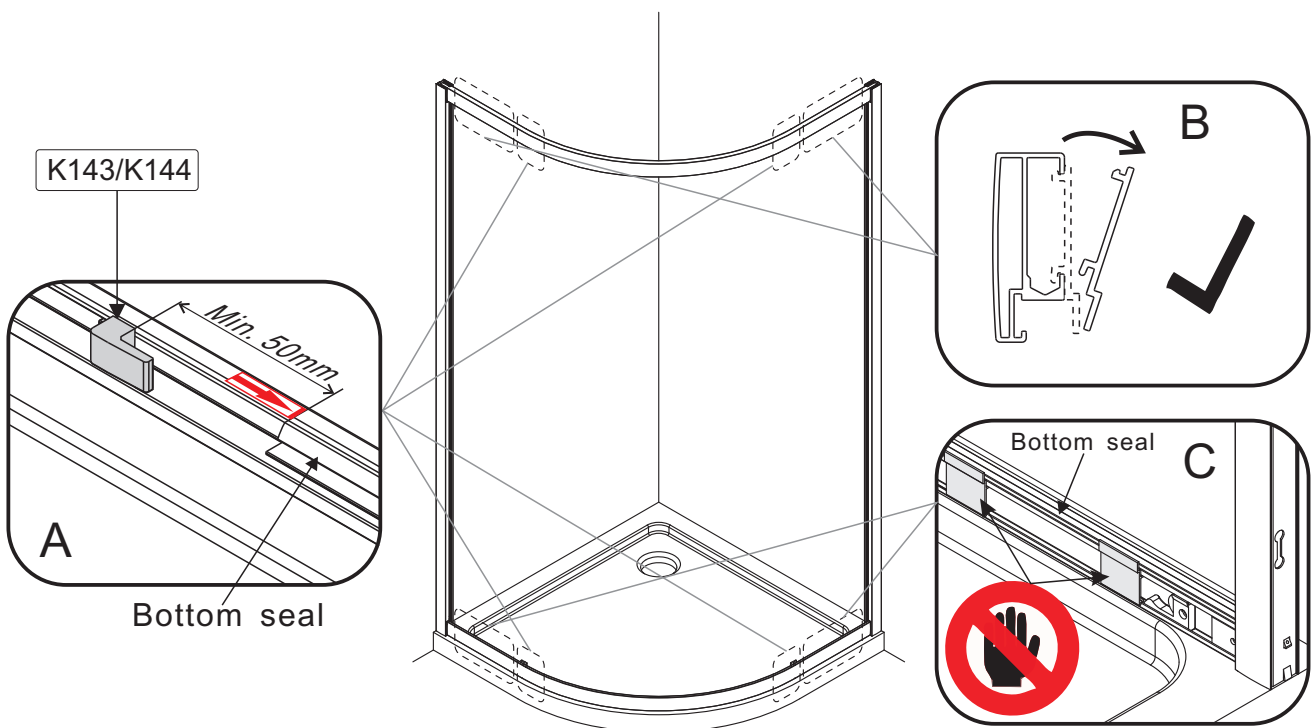
Build the product on the tray starting with the bottom profile.
 A&B. Slide the wall profile fully over the nylon bracket.
 C&D. Load the 4 x 30 screw onto the tool provided and fix the wall profiles top, middle and bottom.



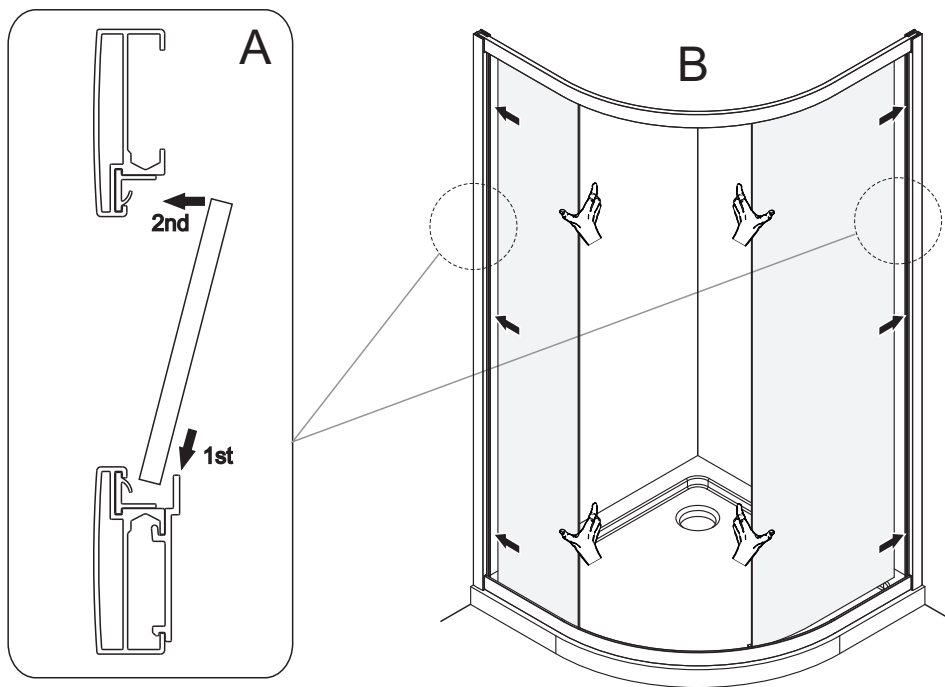
- 6 Slide the top frame fully into the ends of the wall profiles. Check the frame is locked in place and does not slide back out of the frame.



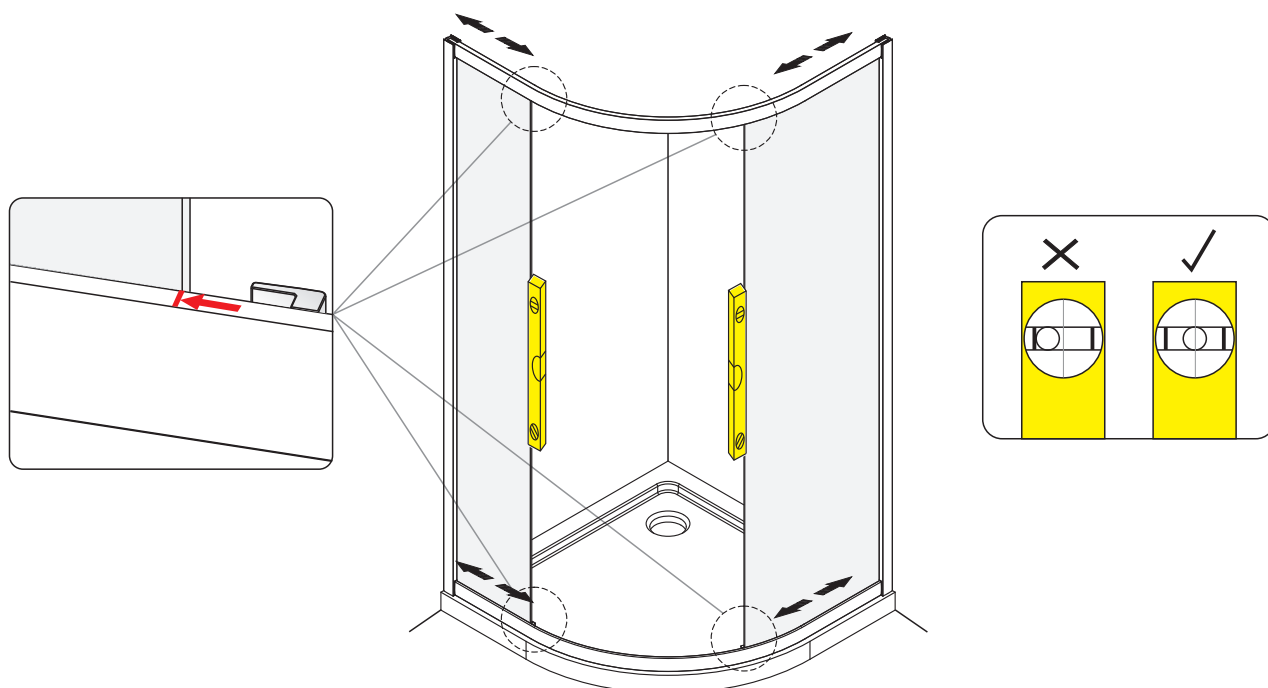
- 7 A. Slide the clip K143/K144 away from the seal on the top and bottom of the frame.
 B. Remove the PVC installation tool by releasing the side closest to the top first, then lift out from the frame.
 C. Leave the bottom PVC installation tool in place to aid the fitting of the fixed glass panel.
 Note: make sure the installation tools are positioned at each end of the bottom seal.



- 8 A. Standing inside the enclosure, place the bottom of the fixed panel on the frame at a slight angle. Then lean the panel forward into the top frame.
B. Slide the glass panel into the wall profile.

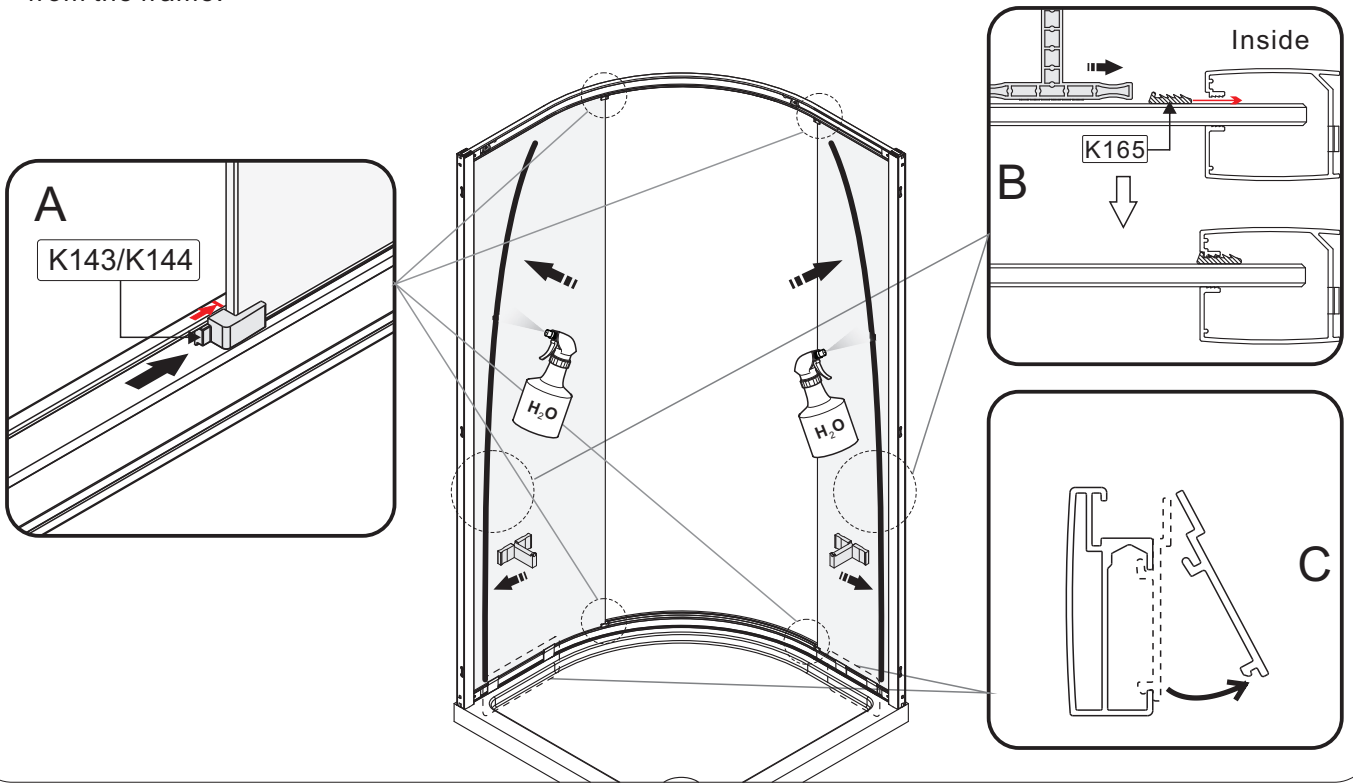


- 9 Adjust the top and bottom profile to align the glass with the red line on the labels while ensuring the glass is plumb.



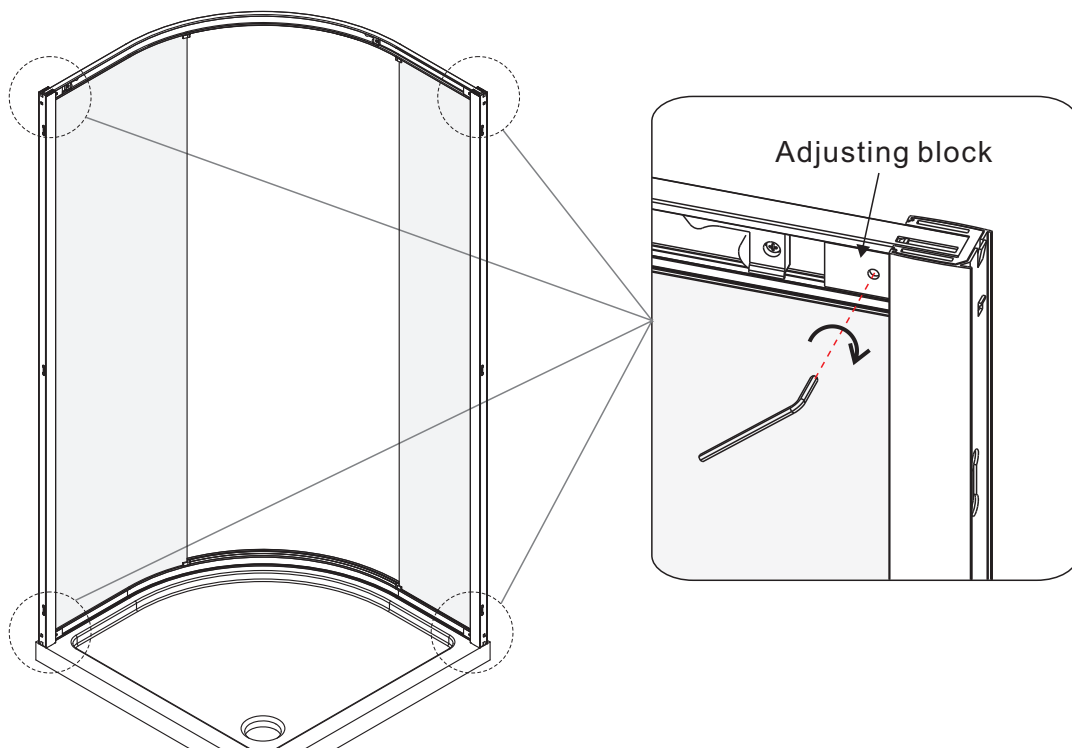
10

- A. Slide the clip over the fixed panel on both the top and bottom.
- B. Starting at the bottom use the tool provided to insert the wedge gasket between the glass and the profile. Keep the flat side to the glass and the ridged side to the profile.
Top Tip ! Dampen the seal with water to help slide into place.
- C. Remove the bottom PVC installation tool by releasing the side closest to the bottom first, then lift out from the frame.



11

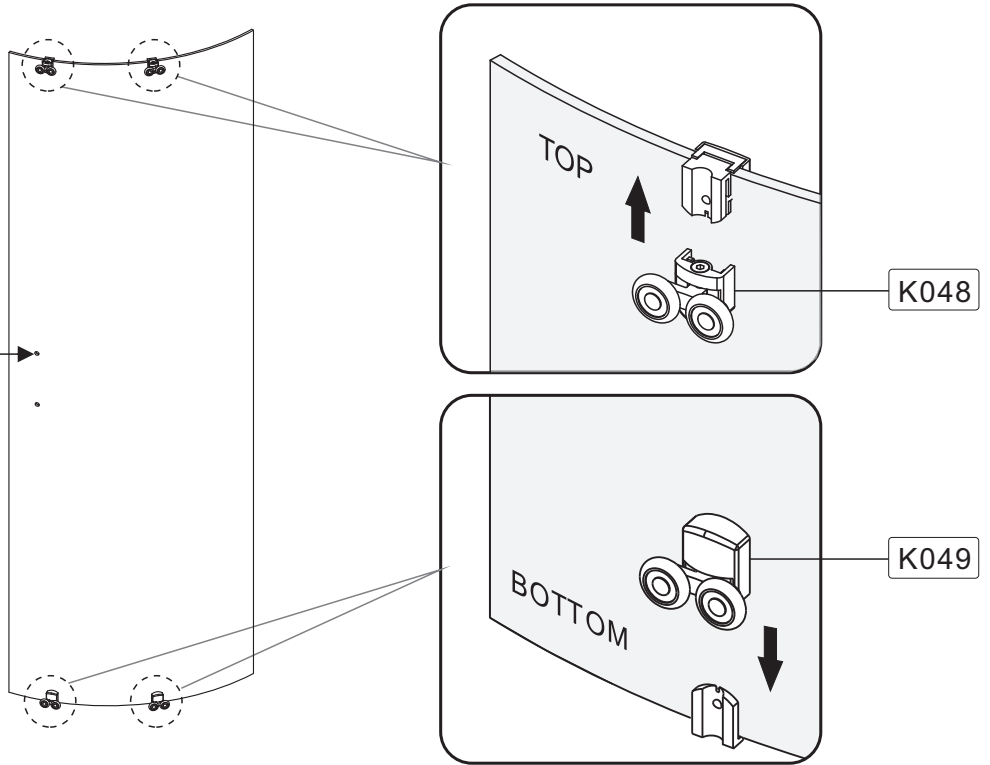
Tighten the grub screws until they are flush with the 'adjusting block'.



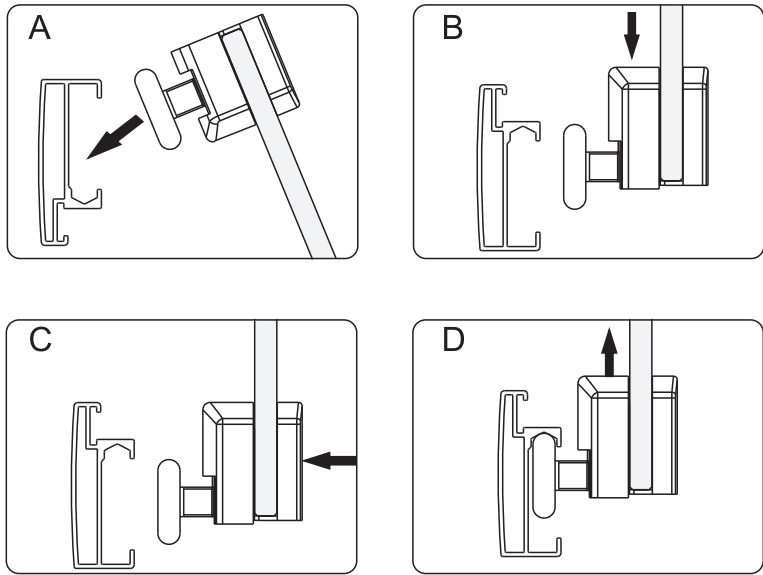
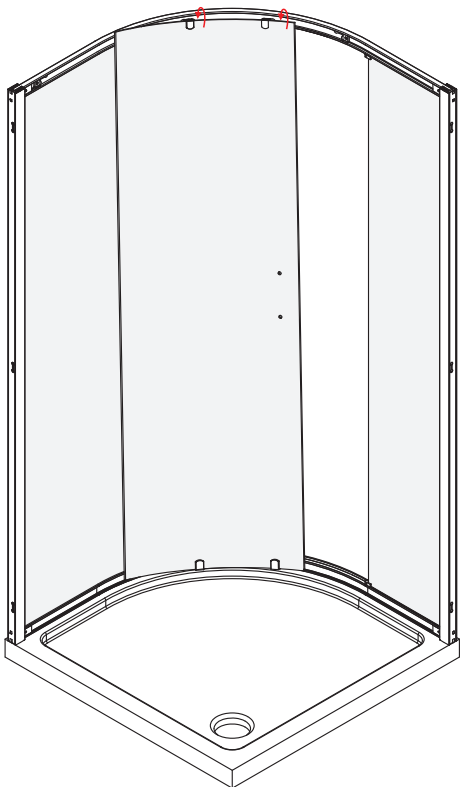
12

Slide the rollers labeled 'TOP' onto the top and the 'BOTTOM' onto the bottom housings.

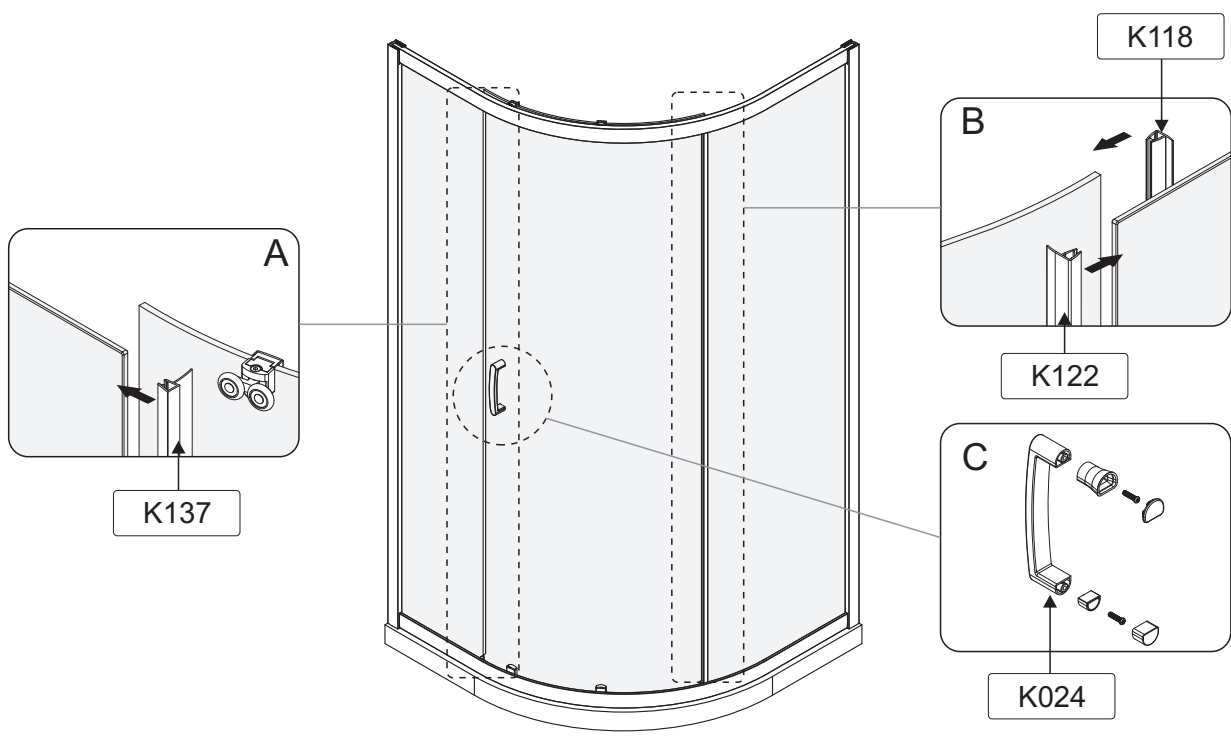
Handle hole position.
(Shown in right hand configuration)



13

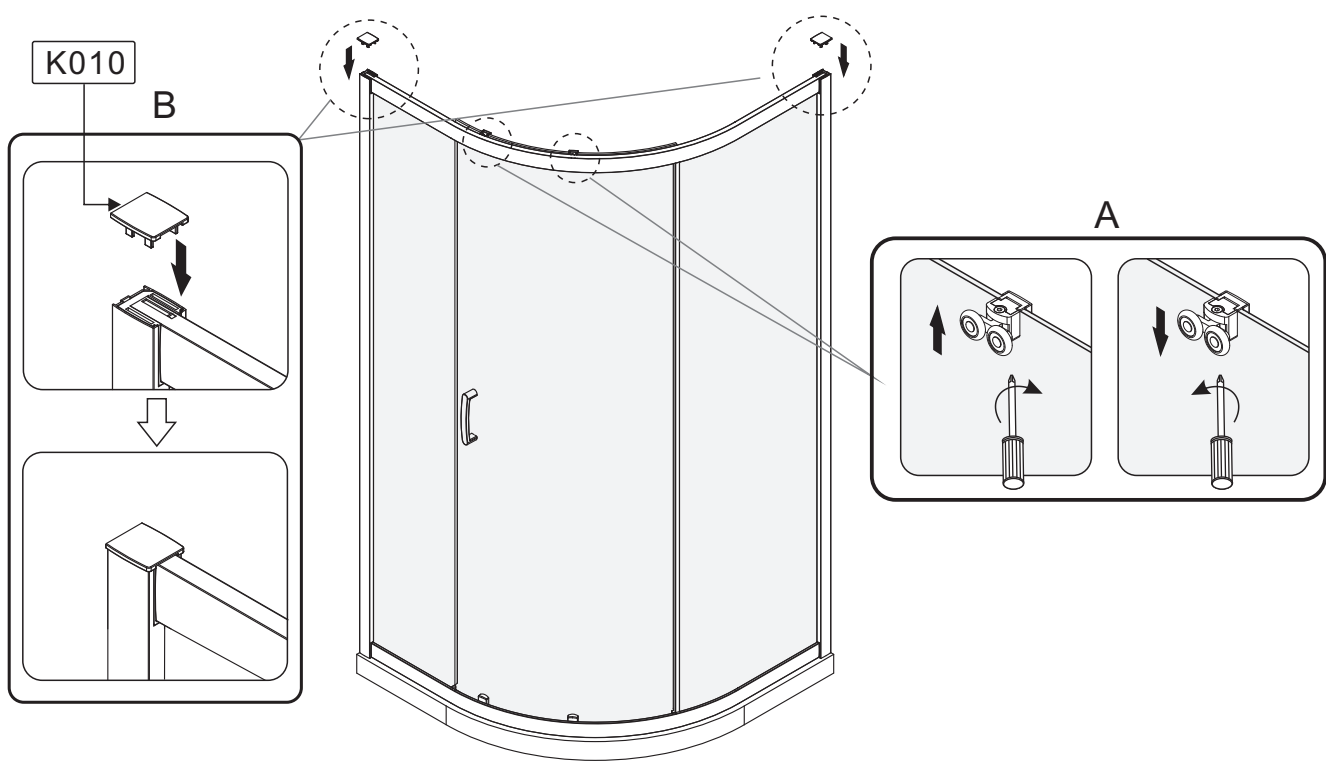


14



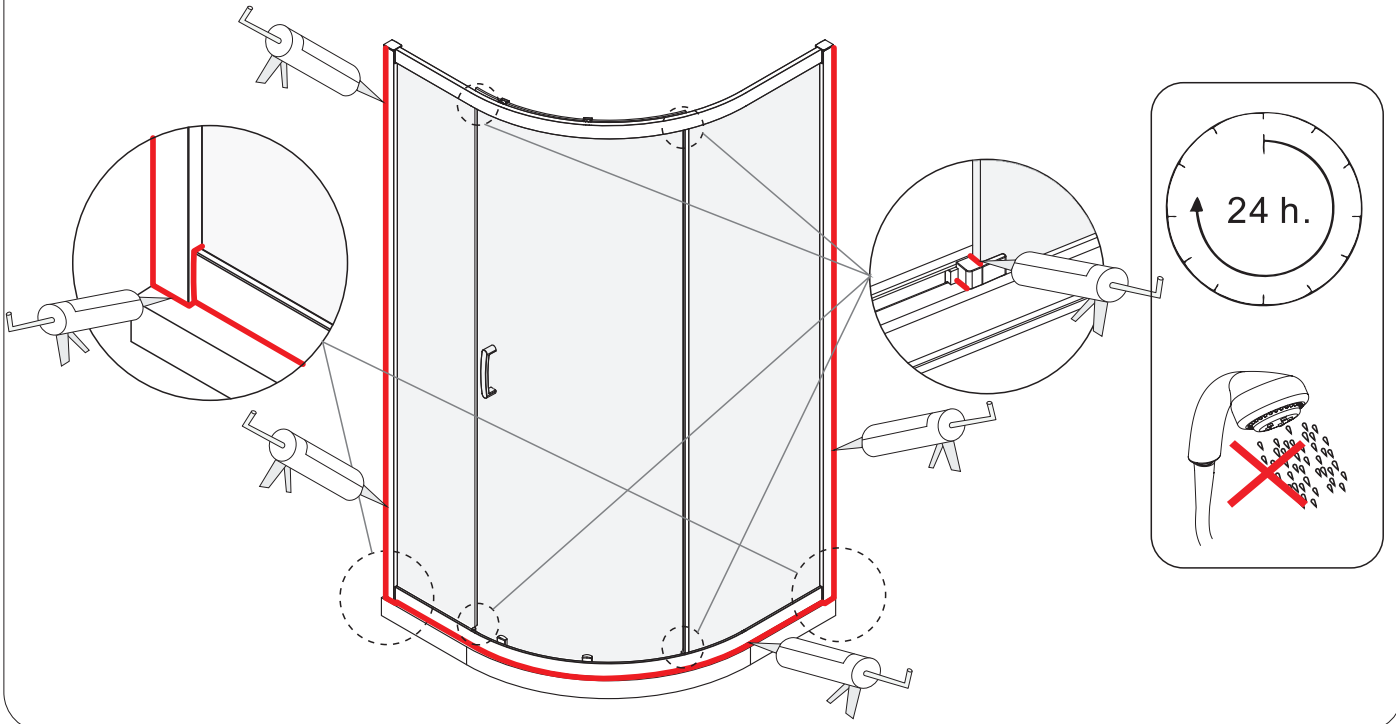
15


Adjust the rollers to ensure the the overlap of the moving and fixed panels is parallel.



16

Before sealing make sure all surfaces are clean, dry and free from any residue such as grout.
Use a quality silicone sealant and applicator gun to finish the door.
Seal between the wall and the wall profile.
Seal between the bottom of the fixed panel seal and the clip and at the base of the clip where it sits on the frame.
Seal between the bottom profile and the tray/tile.
DO NOT USE THE ENCLOSURE FOR 24 HOURS



	
Merlyn Industries LTD (MER14)	
DOP:CEKA1.1	
19	
EN 14428	
Shower enclosures with aluminium profiles and safety glass	
Cleanability	:Pass
Impact resistance/ shatter properties	:Pass
Durability	:Pass

To download the Declaration of Performance (DOP) for this product please use the link below.

<https://merlynshowering.com/aftersales-support/dop-certs/>