

## HIGHGATE

## HGLS60

Highgate Low Profile Three Hole Wall Mounted Lavatory Faucet with Metal Cross Handles and Valve



SHOWN IN HIGHGATE LOW PROFILE THREE HOLE WALL MOUNTED LAVATORY FAUCET WITH METAL CROSS HANDLES AND

### TECHNICAL DETAILS

ADA Compliance: Yes  
 Control Valve Rough-in Depth Maximum: 4 3/8"  
 Control Valve Rough-in Depth Minimum: 1 7/8"  
 Drain Assembly Materials: Brass  
 Drain Depth Maximum: 2"  
 Drain Style: USA Lift & Turn  
 Escutcheon Primary Material: Brass  
 Fittings Hole Diameter: 1 3/8"  
 Flow Restriction Options: 1.0 , 1.2 , 1.5 , 1.75, 2.2  
 Handle Spread Maximum: 8"  
 Handle Spread Minimum: 8"  
 Handle Turn Angle: Quarter Turn  
 Drain Depth Minimum: 1 1/2"  
 Height: 3"  
 Inlet Connection Size: 1/2"  
 Inlet Connection Type: Female NPT  
 Inlet Supply Spread Maximum: 8"  
 Inlet Supply Spread Minimum: 8"  
 Length: 10 3/8"  
 Number of Holes: Three Hole  
 Primary Material: Brass  
 Restricted Maximum Flow Rate: 1.2 gpm  
 Valve Material: Brass, Ceramic  
 Water Pressure Maximum: 80.0 psi  
 Water Pressure Minimum: 20.0 psi  
 Water Pressure Recommended: 45.0 psi

### INSPIRATION

Our take on old English style: simple, functional shapes, detailed with white porcelain indices and hexagonal accents for a timeless feel.

### CODES & STANDARDS

Code # HGLS60: CEC

### PRODUCT FEATURES

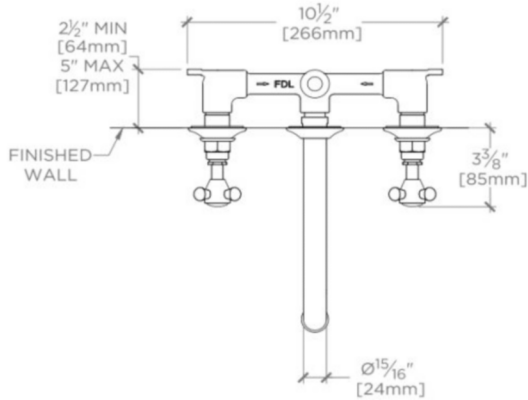
Low profile faucet with stepped handle bases, cast of brass  
 This item is stocked in Chrome, Nickel and Unlacquered Brass finishes  
 Cross handles feature hot and cold markings on white porcelain indices  
 Standard flow rate is 1.2gpm (4.5 L/min) and meets State of California requirements. Also available in other flow options. Contact a sales associate for details.

# WATERWORKS

## HIGHGATE

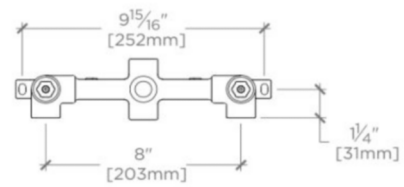
## HGLS60

Highgate Low Profile Three Hole Wall Mounted Lavatory Faucet with Metal Cross Handles and Valve



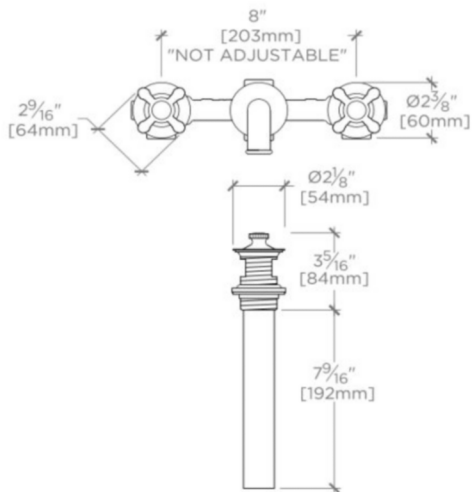
TOP VIEW

SCALE: 1/2"=1'-0"



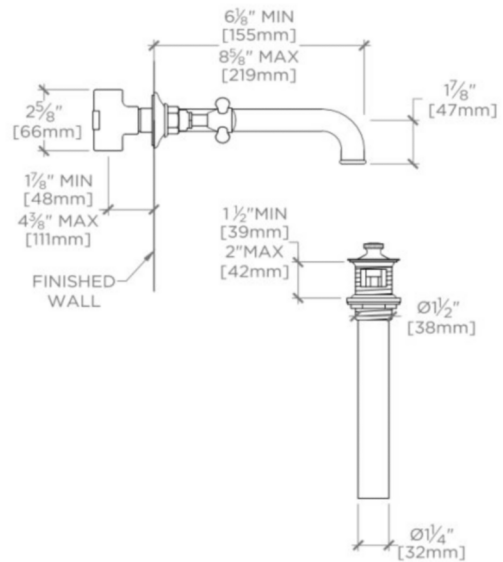
VALVE FRONT VIEW

SCALE: 1/2"=1'-0"



FRONT VIEW

SCALE: 1/2"=1'-0"



SIDE VIEW

SCALE: 1/2"=1'-0"