

HIGHGATE

HGLS70

Highgate Low Profile Three Hole Wall Mounted Lavatory Faucet with White Porcelain Lever Handles and Valve



SHOWN IN HIGHGATE LOW PROFILE THREE HOLE WALL MOUNTED LAVATORY FAUCET WITH WHITE PORCELAIN LEVER

TECHNICAL DETAILS

ADA Compliance: Yes
Control Valve Rough-in Depth Maximum: 4 3/8"
Control Valve Rough-in Depth Minimum: 1 7/8"
Drain Assembly Materials: Brass
Drain Depth Maximum: 2"
Drain Style: USA Lift & Turn
Escutcheon Primary Material: Brass
Fittings Hole Diameter: 1 3/8"
Flow Restriction Options: 1.0 , 1.2 , 1.5 , 1.75, 2.2
Handle Spread Maximum: 8"
Handle Spread Minimum: 8"
Handle Turn Angle: Quarter Turn
Drain Depth Minimum: 1 1/2"
Height: 3"
Inlet Connection Size: 1/2"
Inlet Connection Type: Female NPT
Inlet Supply Spread Maximum: 8"
Inlet Supply Spread Minimum: 8"
Length: 14 1/16"
Number of Holes: Three Hole
Primary Material: Brass
Restricted Maximum Flow Rate: 1.2 gpm
Valve Material: Brass, Ceramic
Water Pressure Maximum: 80.0 psi
Water Pressure Minimum: 20.0 psi
Water Pressure Recommended: 45.0 psi

INSPIRATION

Our take on old English style: simple, functional shapes, detailed with white porcelain indices and hexagonal accents for a timeless feel.

CODES & STANDARDS

Code # HGLS70: CEC

PRODUCT FEATURES

Low profile faucet with stepped handle bases, cast of brass

This item is stocked in Chrome, Nickel and Unlacquered Brass finishes

Lever handles

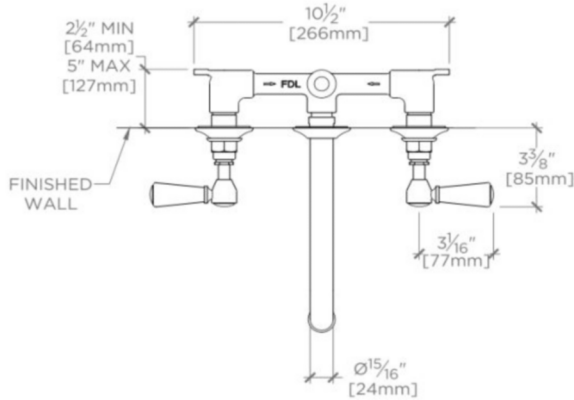
Standard flow rate is 1.2gpm (4.5 L/min) and meets State of California requirements. Also available in other flow options. Contact a sales associate for details.

WATERWORKS

HIGHGATE

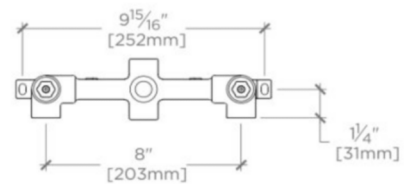
HGLS70

Highgate Low Profile Three Hole Wall Mounted Lavatory Faucet with White Porcelain Lever Handles and Valve



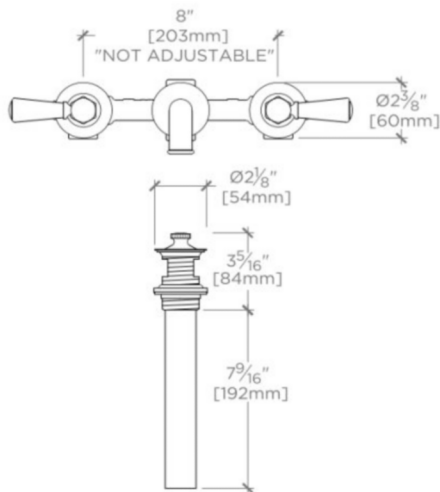
TOP VIEW

SCALE: 1 1/2"=1'-0"



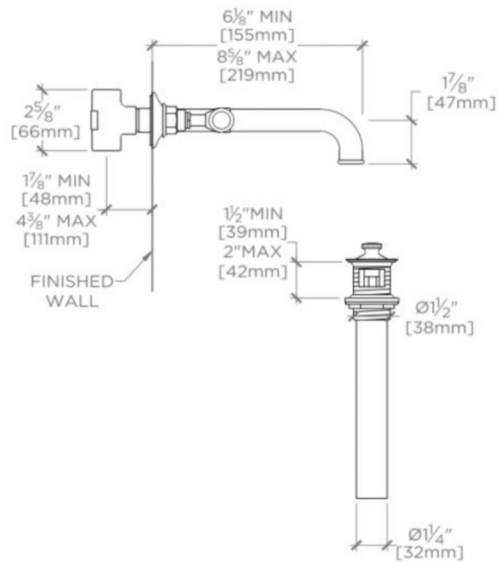
VALVE FRONT VIEW

SCALE: 1 1/2"=1'-0"



FRONT VIEW

SCALE: 1 1/2"=1'-0"



SIDE VIEW

SCALE: 1 1/2"=1'-0"