

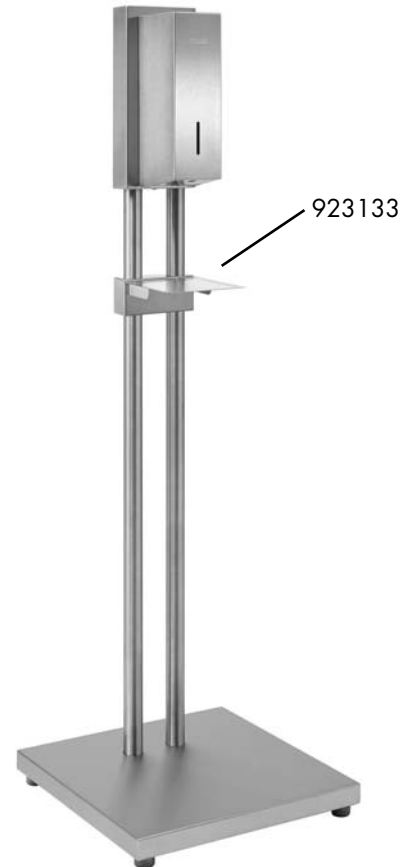
# HYGIENE STATION STAND MODEL WITH SENSOR-DISINFECTANT DISPENSER WP102E-7S



380 x 1350 x 380 mm

950 ml tank

- Hygiene station consisting of a sensor-disinfectant dispenser and a floor-stand in robust, germ-reducing and easy-care stainless steel.
- Visible surfaces satin finished and brushed. Further available surfaces: see below.
- Sensor-disinfectant dispenser in stainless steel (AISI316L); all corners fully welded.
  - With EWAR® eModule touch-free operated disinfectant pump with 950 ml tank.
  - Designed for standard disinfectants for hands.
  - Inspection slot to indicate fill level.
  - Accessible for refilling through lockable, hinged housing.
  - Keyed alike cylinder lock in corrosion-resistant zinc die-casting.
  - eModule battery-powered with two 1.5 V Baby/LR14 batteries.
  - Wear parts can be replaced as modules.
  - Delivery includes batteries.
- Floor-stand in stainless steel (AISI304)
  - Base plate with rubber feet.
  - Intended for free floor installation.
- Weight, including single package: 10.2 kg

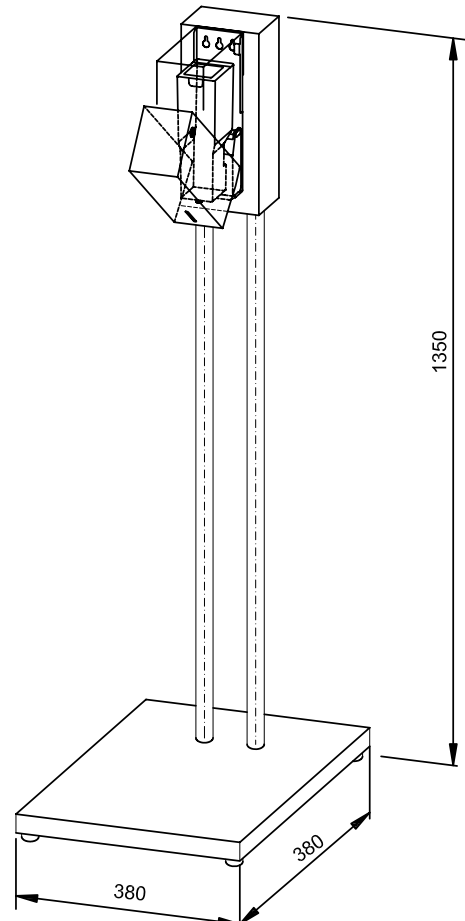


## Suggested text for specifications:

Hygiene station consisting of a sensor-disinfectant dispenser and a floor-stand in stainless steel, visible surfaces satin finished and brushed. Sensor-disinfectant dispenser in stainless steel (AISI316L); all corners fully welded. With touch-free operated disinfectant pump with 950 ml tank. Designed for standard disinfectants for hands. Inspection slot to indicate fill level. Accessible for refilling through lockable, hinged housing. Keyed alike cylinder lock in corrosion-resistant zinc die-casting. Delivery includes batteries. Floor-stand in stainless steel (AISI304) with rubber feet. Intended for free floor installation.

Dimensions: 380 x 1350 x 380 mm

Article No. WP102e-7S



Options	ID No.
Receptacle for WP floor stand	923 133
Available surfaces	ID No.
satin finished (standard)	727 370
(coloured) plastic powder-coating	728 370

## Ernst Wagner GmbH & Co. KG

Ernst-Abbe-Straße 21 · D-72770 Reutlingen · Tel.: +49712151539-0 · Fax: -20  
info@wagner-ewar.de · www.wagner-ewar.de

WAGNER  
EWAR