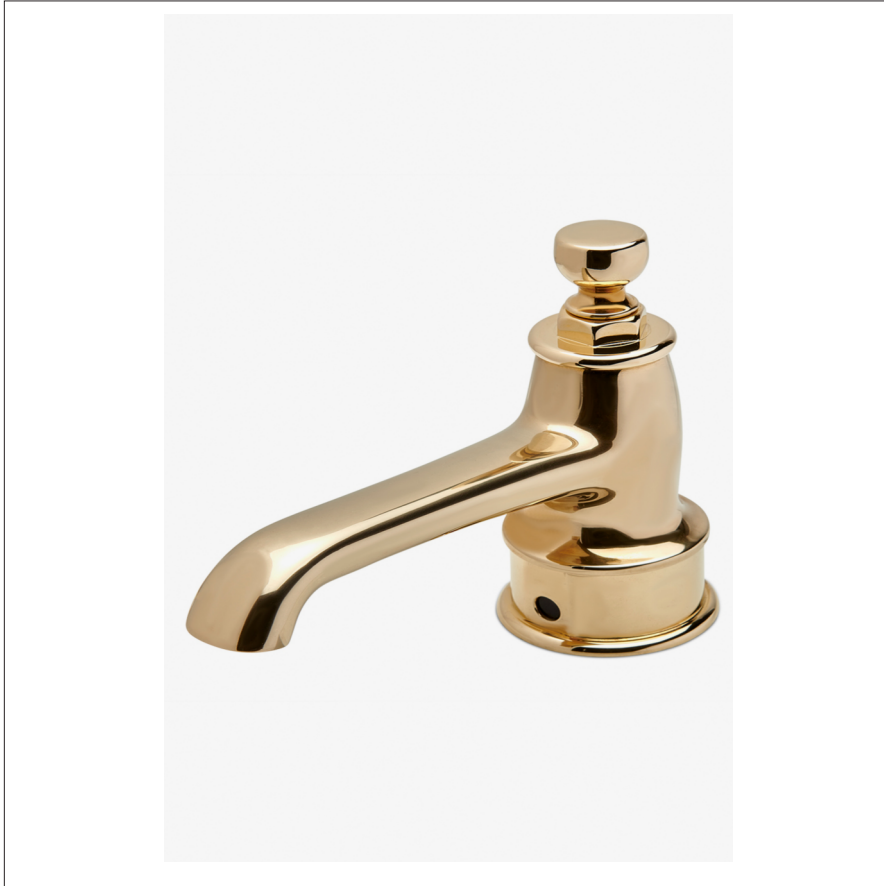


HIGHGATE

Highgate Touchless Lavatory Faucet

HGLST1



FILEDESCRIPTION

TECHNICAL DETAILS

Deck Thickness Maximum: 2 3/16"
Deck Thickness Minimum: 3/16"
Fittings Hole Diameter: 1 3/8"
Inlet Connection Size: 1/2"
Inlet Connection Type: Straight Male Threads
Inlet Supply Spread Maximum: 1 1/8"
Inlet Supply Spread Minimum: 1 1/8"
Number of Holes: One Hole
Primary Material: Brass
Restricted Maximum Flow Rate: 1.2 gpm
Water Pressure Maximum: 85.0 psi
Water Pressure Minimum: 20.0 psi
Water Pressure Recommended: 45.0 psi

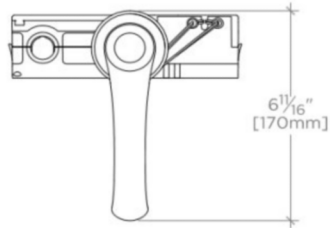
INSPIRATION

Our take on old English style: simple, functional shapes, detailed with white porcelain indices and hexagonal accents for a timeless feel.

HIGHGATE

Highgate Touchless Lavatory Faucet

HGLST1



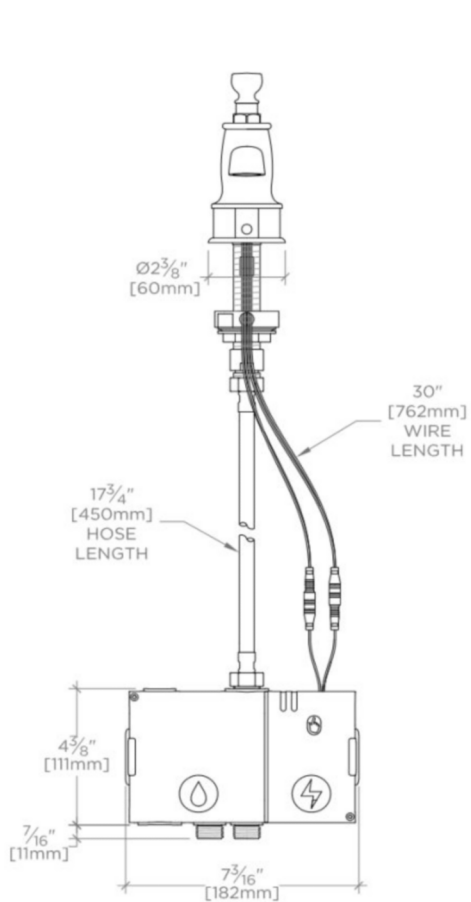
TOP VIEW

SCALE: 2"=1'-0"



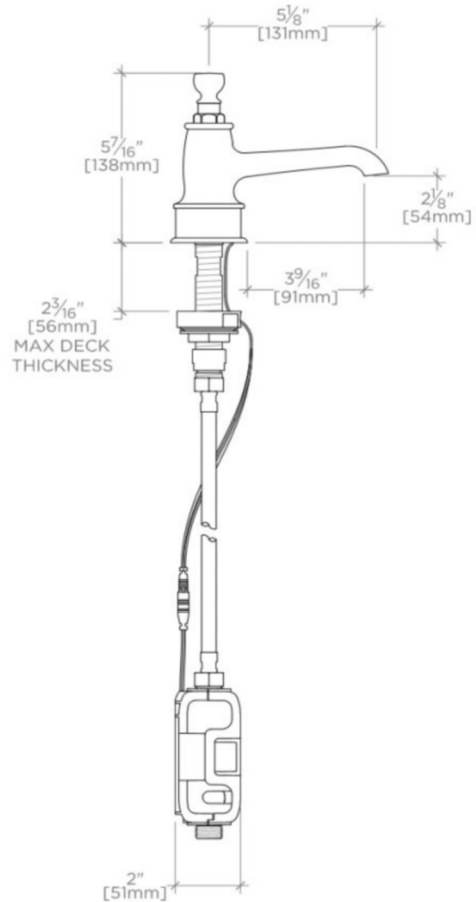
SIDE VIEW

SCALE: 2"=1'-0"



FRONT VIEW

SCALE: 2"=1'-0"



SIDE VIEW

SCALE: 2"=1'-0"