

SENSOR PAPER ROLL DISPENSER WP1510



350 x 448 x 220 mm

Mains-operated

- Sensor paper roll dispenser, mains-operated, in robust, germ-reducing and easy-care stainless steel (AISI 304).
- All-stainless steel housing; all corners fully welded, visible surfaces satin finished and brushed with tapered glossy surface at the bottom. Further available surfaces: see below.
- With touch-free operated, capacitive sensor technology, sensor distance approx. 3.5 cm. Paper length and idle time adjustable. Mains-operated 230 V / 50 Hz; power rating 7 Watt; mains cable on site. TÜV/GS certification applied for.
- Designed for one paper roll with dimensions: Width 215 mm, outer diameter max. 200 mm, inner diameter 37-40 mm or 48-50 mm.
- Inspection slot to indicate fill level, residual roll function allows a reserve roll to be inserted before residual roll is completely used up.
- Accessible for refilling through lockable door.
- Keyed alike cylinder lock in corrosion-resistant zinc die-casting.
- Wear parts and front panels can be replaced as modules.
- Installation dimensions: 352 x 450 x max. 180 mm
- Mounting: With four screws in wall opening through fixing holes in the side walls.
- Delivery includes fixing material and first fill with one paper roll.
- Weight, including single package: 10.0 kg

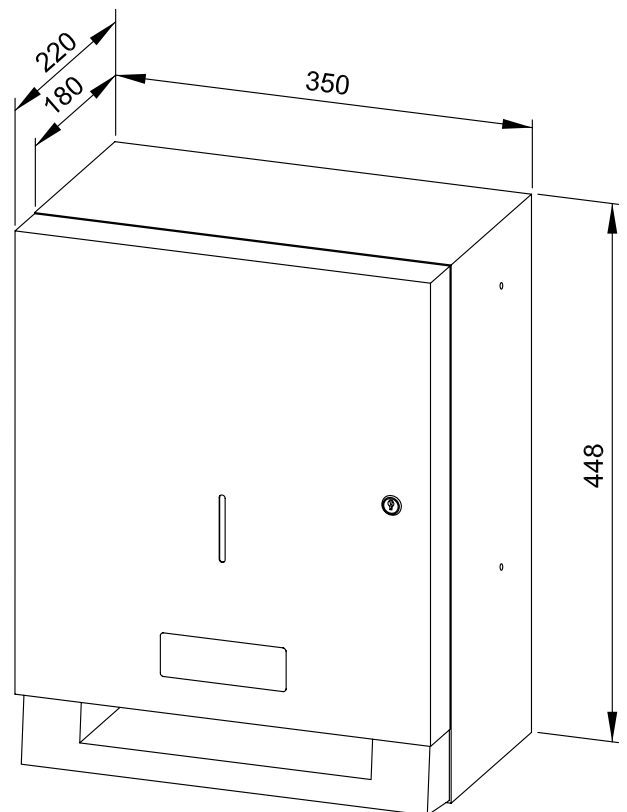


Suggested text for specifications:

Sensor paper roll dispenser, mains-operated, in stainless steel (AISI 304) for flush mounting. All-stainless steel housing; all corners fully welded, visible surfaces satin finished and brushed with tapered glossy surface at the bottom. With touch-free operated, capacitive sensor technology. Paper length and idle time adjustable. Mains-operated 230 V / 50 Hz; power rating 7 Watt; mains cable on site. Designed for one paper roll with dimensions: Width 215 mm, outer diameter max. 200 mm, inner diameter 37-40 mm or 48-50 mm. Inspection slot to indicate fill level. Accessible for refilling through lockable door. Residual roll function allows a reserve roll to be inserted before residual roll is completely used up. Keyed alike cylinder lock in corrosion-resistant zinc die-casting. Delivery includes fixing material and first fill with one paper roll.

Dimensions: 350 x 448 x 220 mm

Article No. WP1510



Available surfaces	ID No.
satin finished (standard)	727 465
highly polished	731 465
(coloured) plastic powder-coating	728 465

Ernst Wagner GmbH & Co. KG

Ernst-Abbe-Straße 21 · D-72770 Reutlingen · Tel.: +49712151539-0 · Fax: -20
info@wagner-ewar.de · www.wagner-ewar.de

WAGNER
EWAR