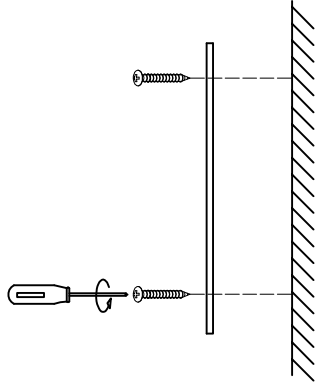
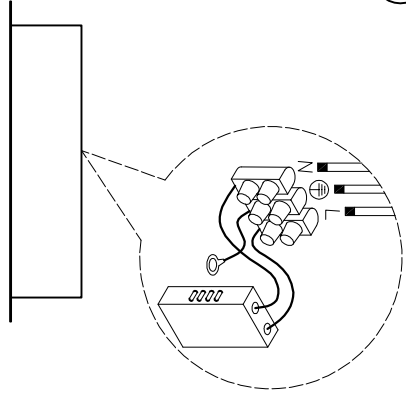


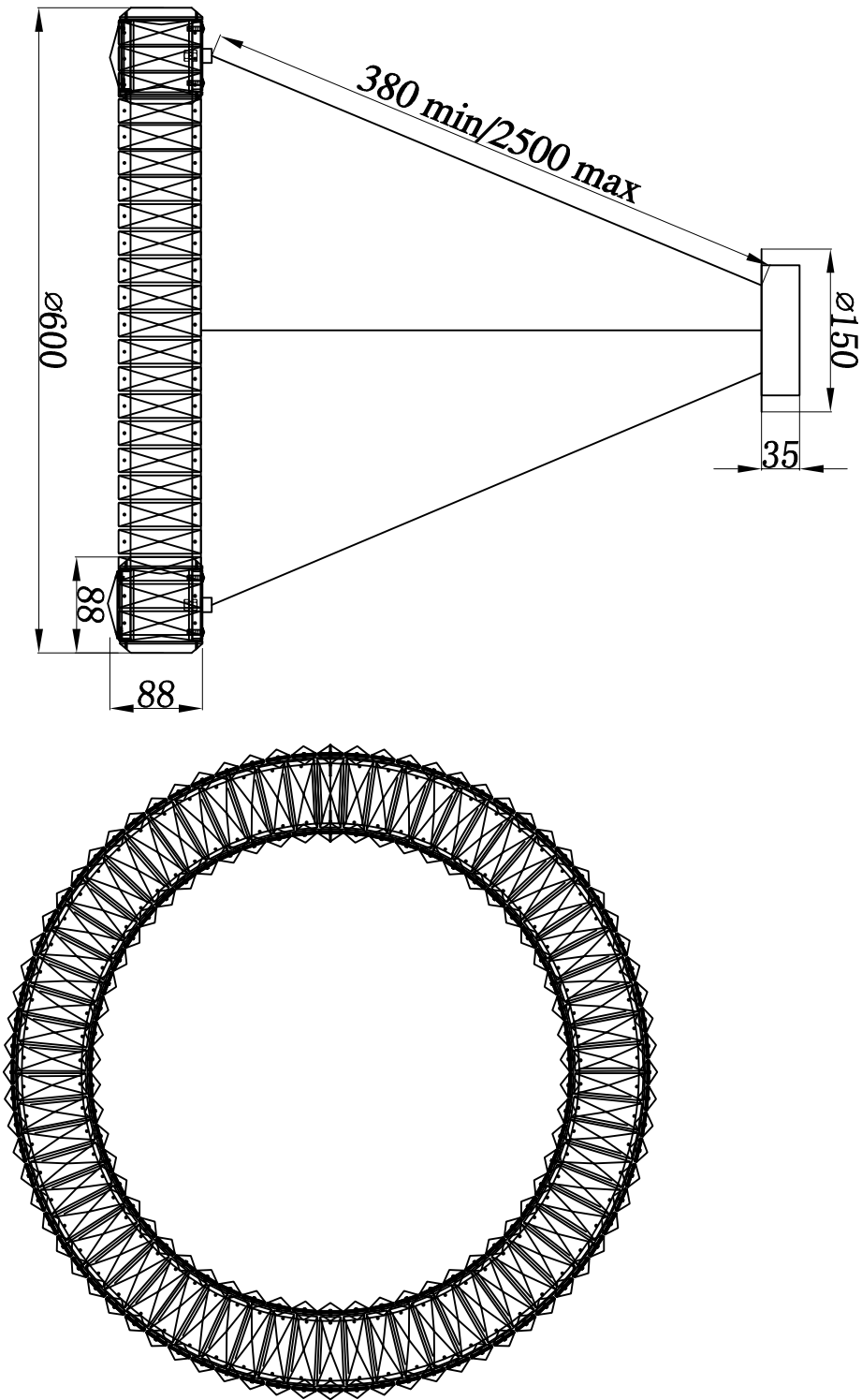
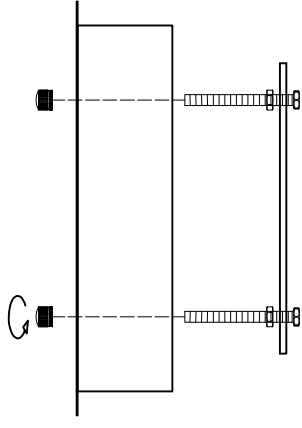
1



2



3



Model I : 8262/S