

HIGHGATE

HGSP10

Highgate Pressure Balance Shower Package with 2 3/4" Shower Head, Handshower and Diverter Lever Handle



SHOWN IN HIGHGATE PRESSURE BALANCE SHOWER PACKAGE WITH 2 3/4" SHOWER HEAD, HANDSHOWER AND DIVERTER

TECHNICAL DETAILS

Suggested Application: Bath
Water Pressure Maximum: 85.0 psi
Water Pressure Minimum: 20.0 psi
Water Pressure Recommended: 45.0 psi

INSPIRATION

Our take on old English style: simple, functional shapes, detailed with white porcelain indices and hexagonal accents for a timeless feel.

CODES & STANDARDS

See individual component styles for Code Compliance. HGSH01, UNSH38, HGPB10, GUPB81, HGHS01, UN2PG1, GUDV23, HGVC50

PRODUCT FEATURES

This shower package is composed of the following product styles: HGSH01, UNSH38, HGPB10, GUPB81, HGHS01, UN2PG1, GUDV23, HGVC50

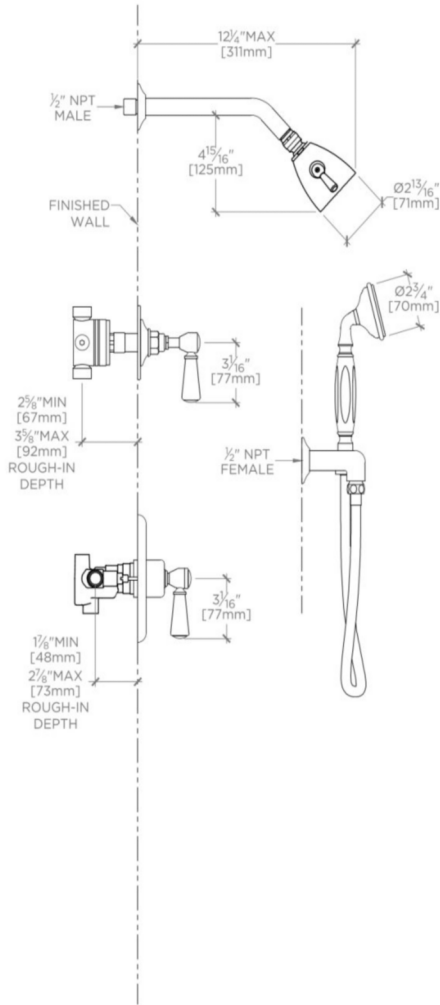


WATERWORKS

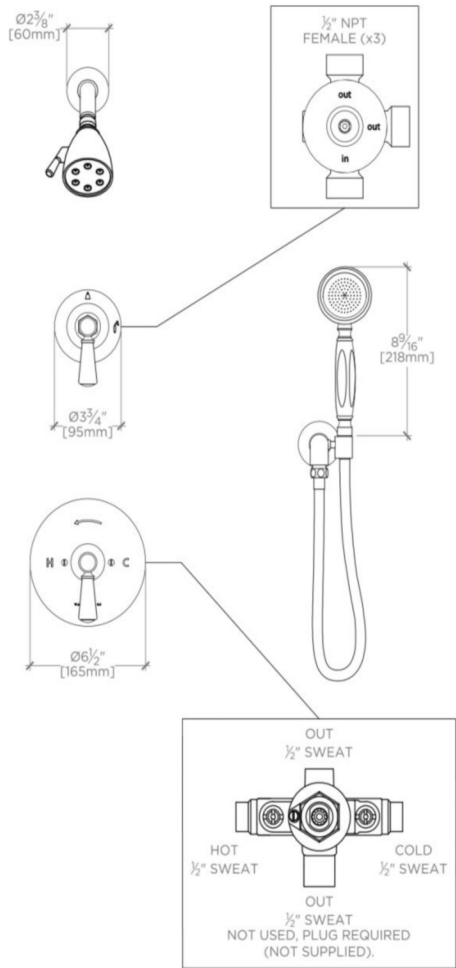
HIGHGATE

HGSP10

Highgate Pressure Balance Shower Package with 2 3/4" Shower Head, Handshower and Diverter Lever Handle



HGSP10 SIDE VIEW



HGSP10 FRONT VIEW

THIS DRAWING IS NOT INTENDED FOR USE AS A PIPING SCHEMATIC