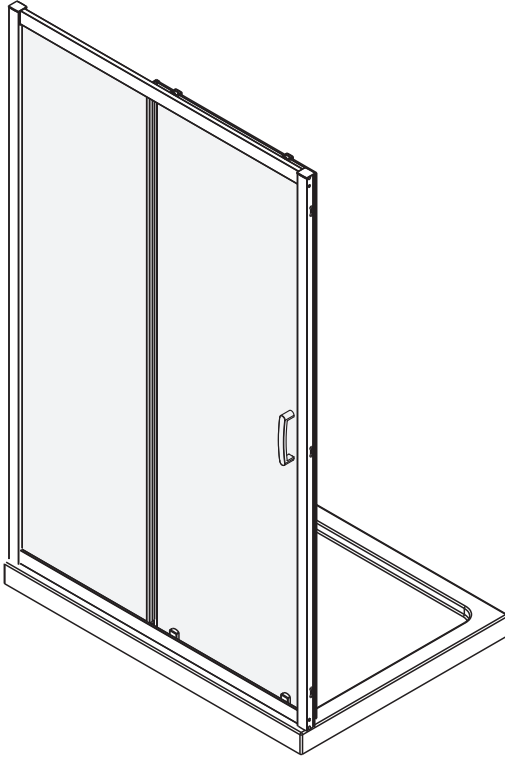


MERLYN

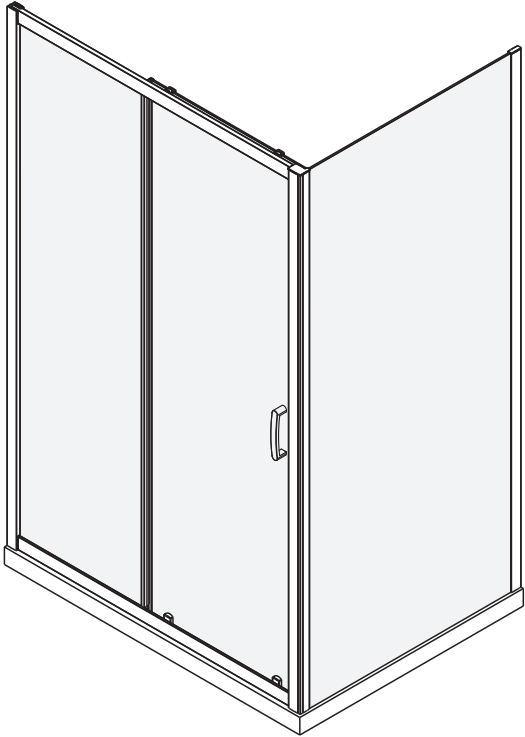


# SLIDING DOOR INSTALLATION GUIDE

Sliding door in recess  
Pages 1~11



Sliding door with Side Panel  
Pages 12 ~ 23



PATENT PENDING

**IMPORTANT:**Please read the complete instructions before commencing fitting.

Make sure the tray is 100% level in all directions.

Check that you have the tools required.

Check the installation site is compatible with the size of door supplied.

Check all the enclosure components are present.

Check the installation kit is complete.

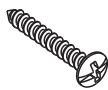
Do Not attempt to install the product unless you can tick all 4 boxes.

The wall plugs supplied with the installation kit are for use in solid walls. Hollow or 'stud partition' walls will require alternative fixings. Please consult a hardware supplier for the correct type. It may also be necessary to consult your tiling supplier about the correct method for drilling your tiles.

**ATTENTION: TAKE EXTREME CARE WHEN HANDLING GLASS, WEAR PROTECTIVE EYEWEAR AND CLOTHING. DO NOT LEAVE THE GLASS ON HARD SURFACES AND AVOID CONTACT BETWEEN THE GLASS EDGES AND HARD SURFACES OR IMPACTS DURING THE INSTALLATION.**

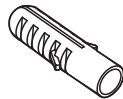
## Fixing kit components

Wall screw



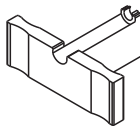
2SY51 x6

Wall plug



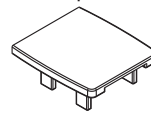
2SP12 x6

Installation tool



K023 x1

Cover cap of wall profile



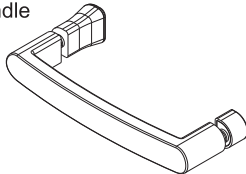
K010 x 2

Hex key



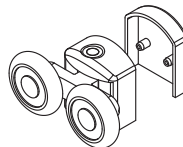
MG3MMALKEY x 1

Handle



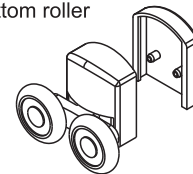
K024 x 1

Top roller



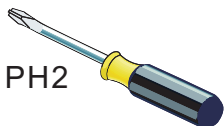
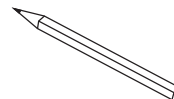
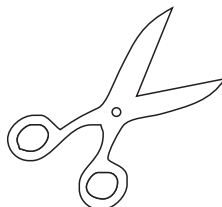
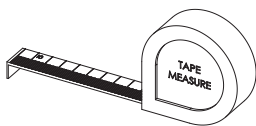
K048 x 2

Bottom roller

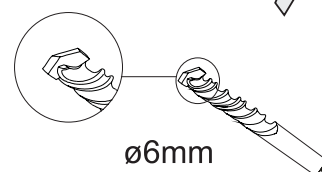
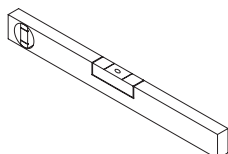


K049 x 2

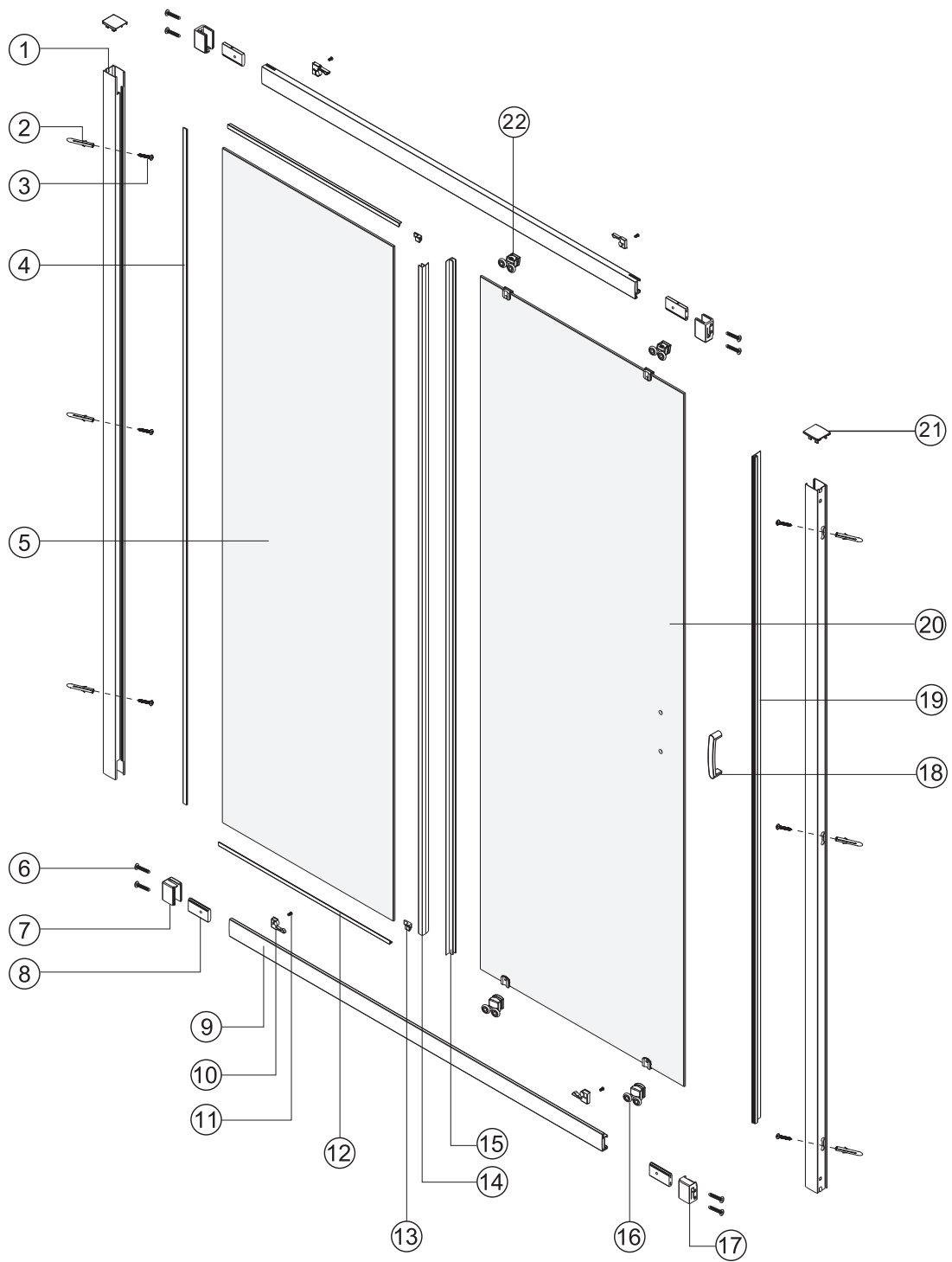
## Tools required



PH2



ø6mm



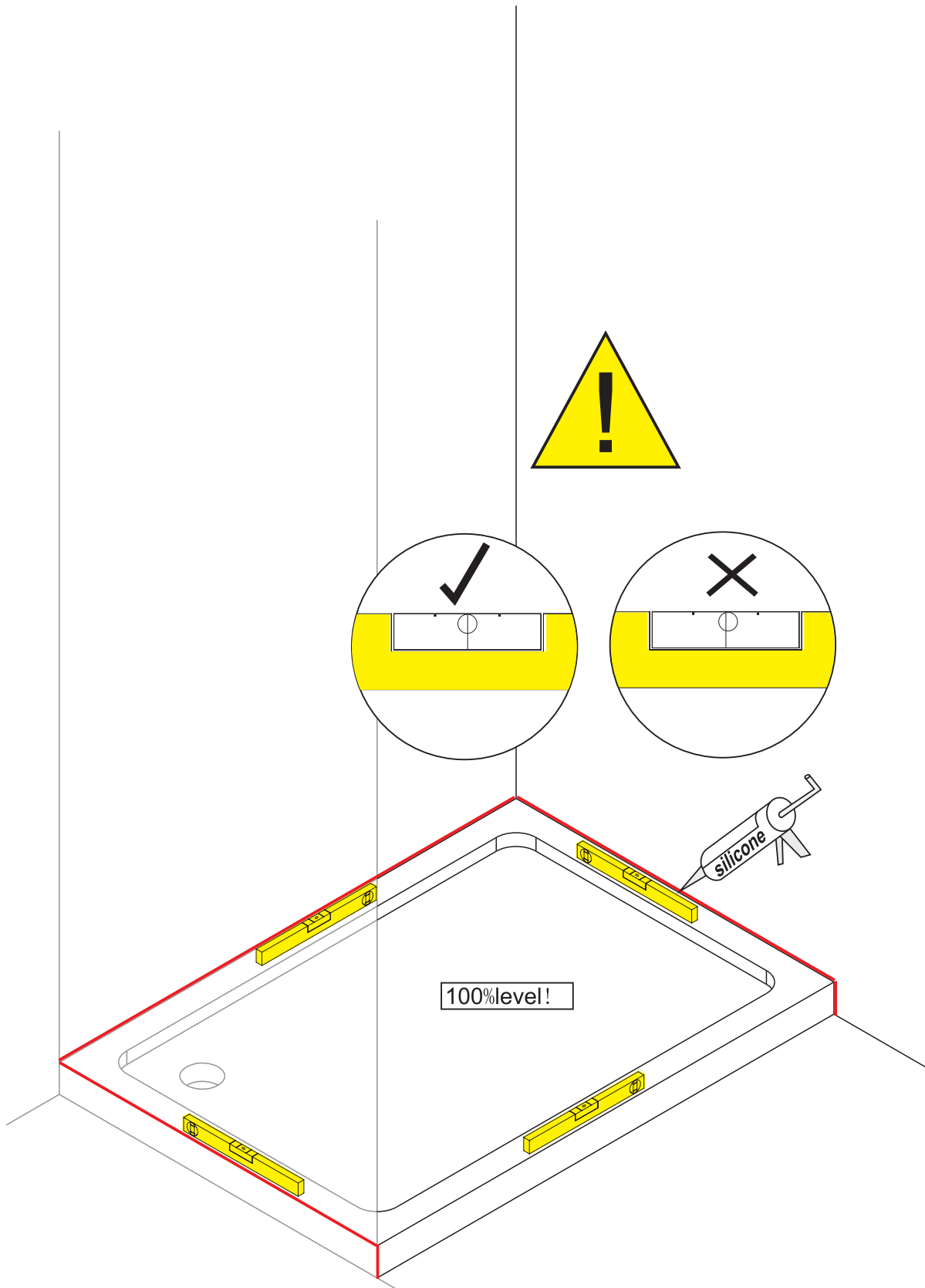
No.	Qty	Code
1	2	K073
2	6	2SP12
3	6	2SY51
4	1	K165
5	1	A
6	4	K145
7	2	K001/K002
8	4	K008/K009
9	2	K061-K067

No.	Qty	Code
10	4	K005/K006
11	4	K158
12	2	K114
13	2	K011/K012
14	1	K122
15	1	K118
16	2	K049
17	2	K003/K004
18	1	K024

No.	Qty	Code
19	1	K116
20	1	B
21	2	K010
22	2	K048

1

Please ensure your tray is 100% level in all directions before fitting your enclosure.



2

Before marking the fixing positions check the label on the back of the profile indicating the side of the profile to face inside !

**A** Min. 10mm

**B** Inside

Measure X to make sure it is within the adjustment range

size	X
1000	950-990
1100	1050-1090
1200	1150-1190
1400	1350-1390
1500	1450-1490
1600	1550-1590
1700	1650-1690

3

**A** ø6mm

**B**

4

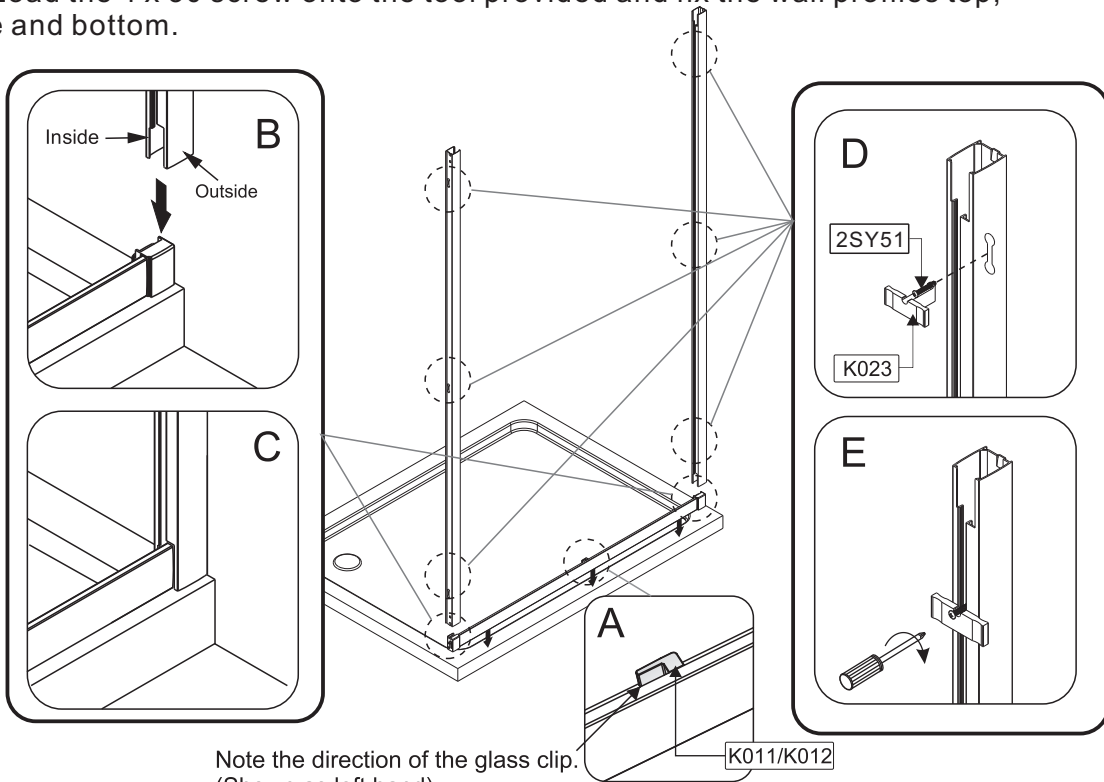
Build the product on the tray starting with the bottom profile.

NOTE: Product shown in left hand configuration from this point.

A. Note the direction of the glass clip.

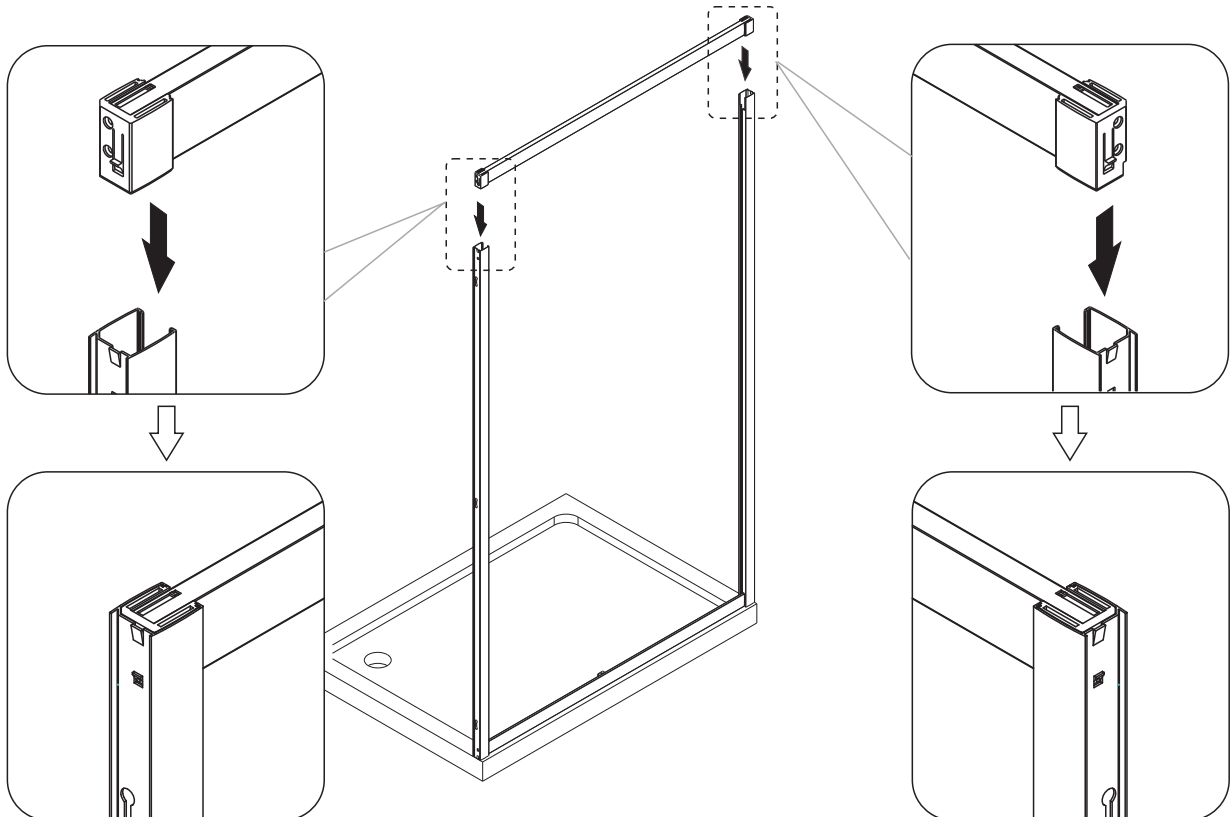
B&C. Slide the wall profile fully over the nylon bracket.

D&E. Load the 4 x 30 screw onto the tool provided and fix the wall profiles top, middle and bottom.



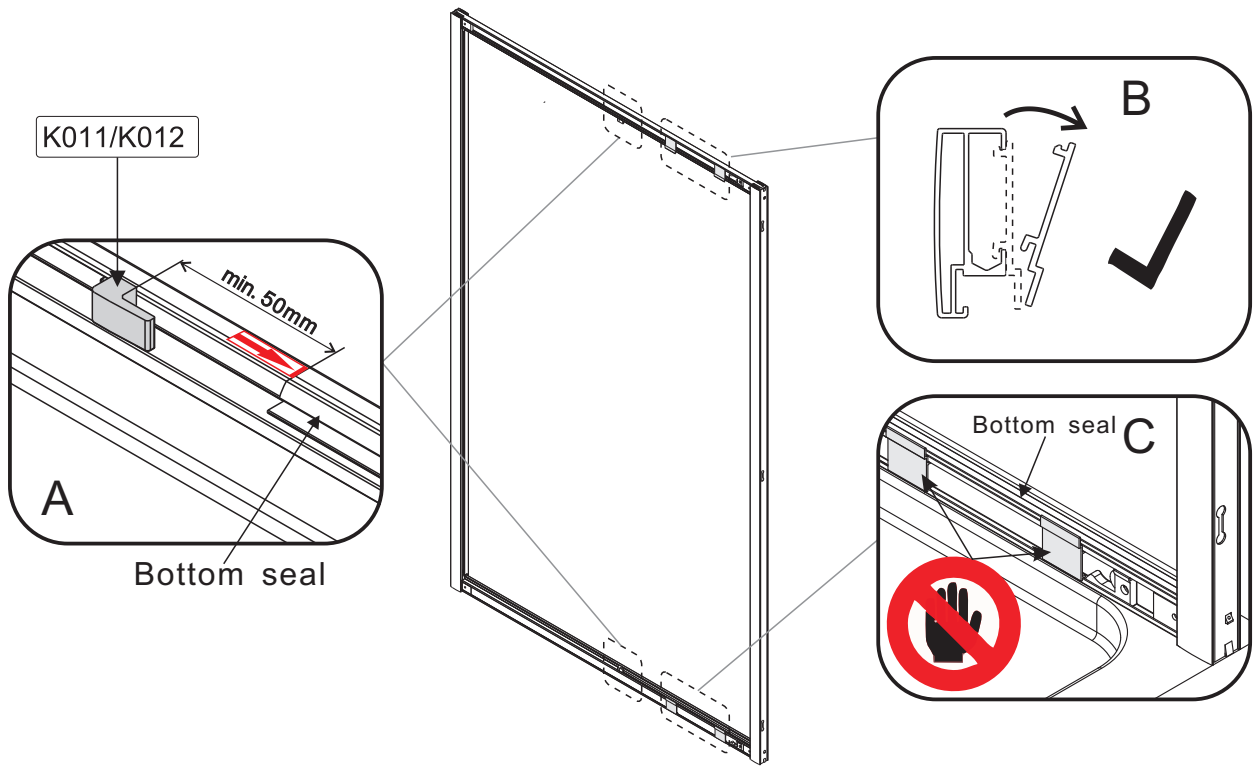
5

Slide the top frame fully into the ends of the wall profiles. Check the frame is locked in place and does not slide back out of the frame.



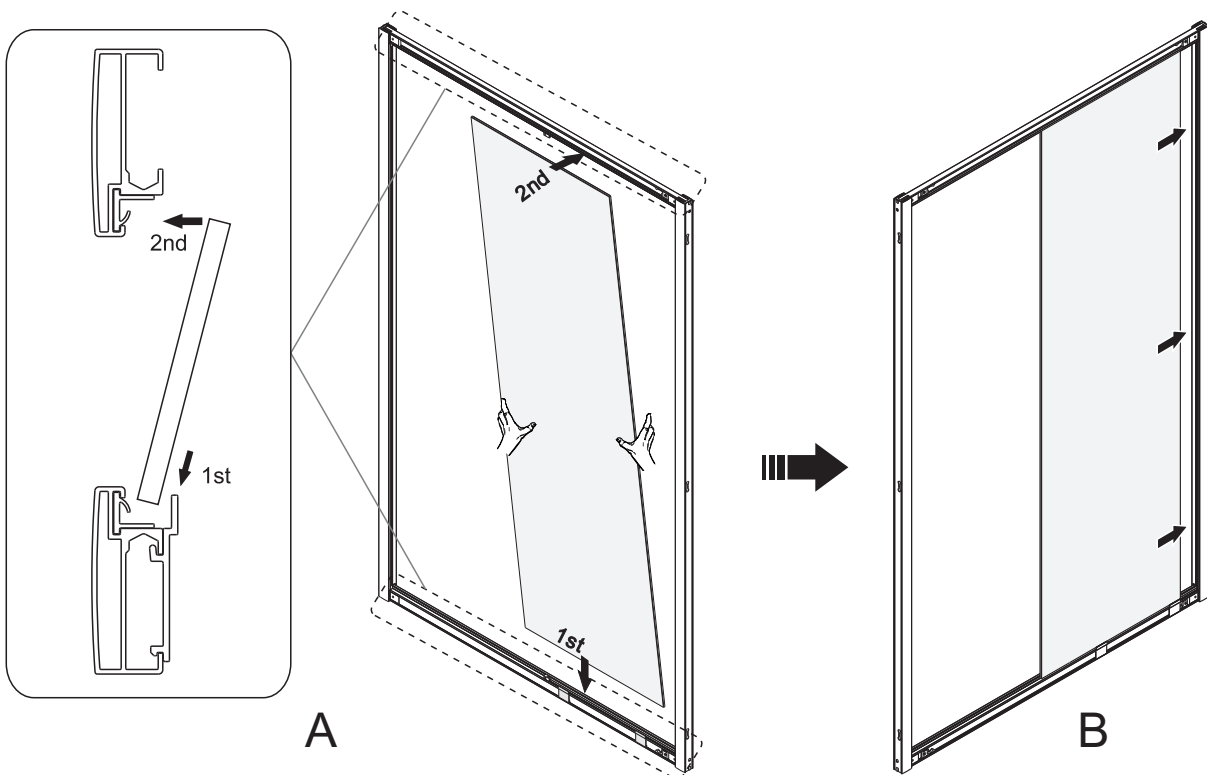
6

- A. Slide the clip K011/K012 away from the seal on the top and bottom of the frame.
- B. Remove the PVC installation tool by releasing the side closest to the top first, then lift out from the frame.
- C. Leave the bottom PVC installation tool in place to aid the fitting of the fixed glass panel.  
Note: make sure the installation tools are positioned at the bottom seal



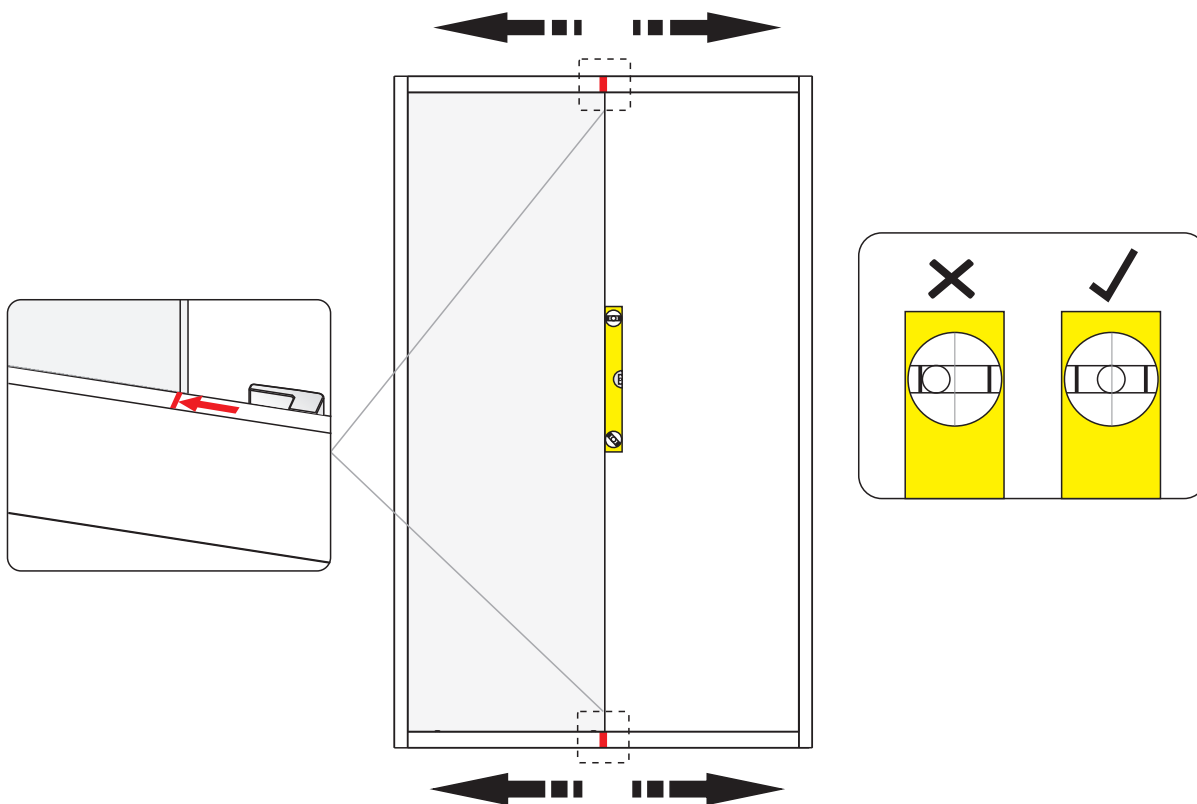
7

- A. Standing inside the enclosure, place the bottom of the fixed panel on the frame at a slight angle. Then lean the panel forward into the top frame.
- B. Slide the glass panel into the wall profile.



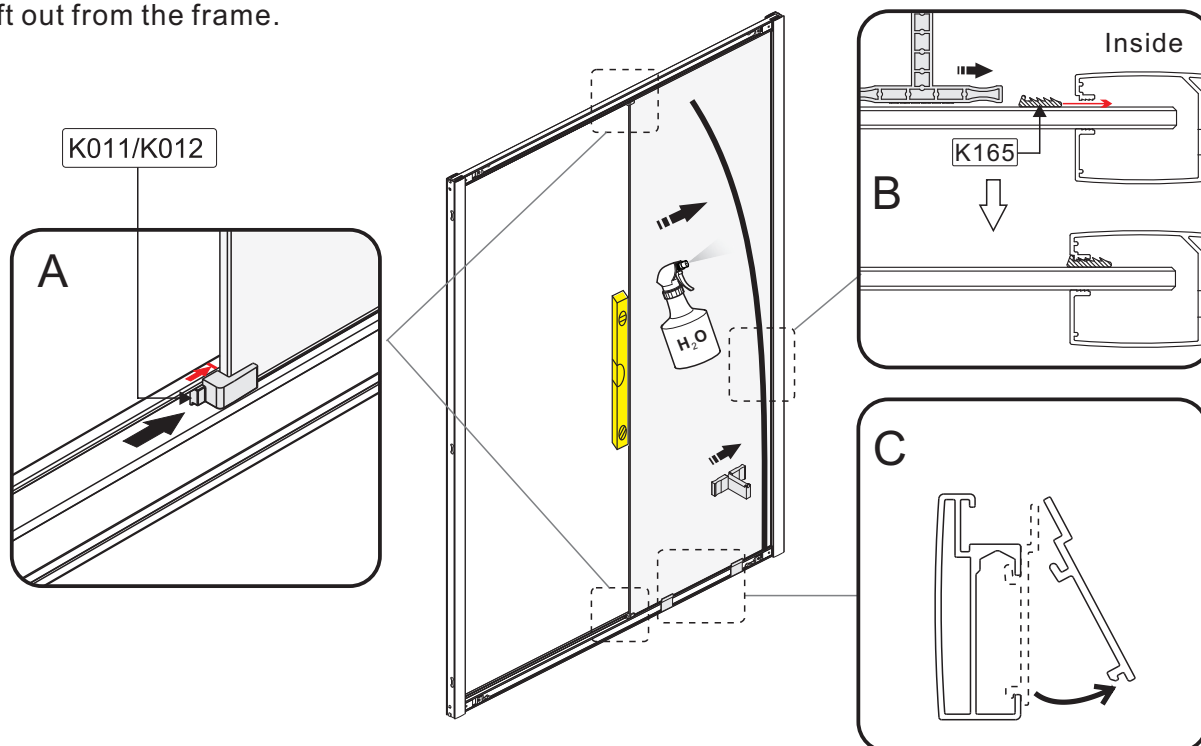
8

Adjust the top and bottom profile to align glass edge with the red line on the labels while ensuring the glass is plumb.



9

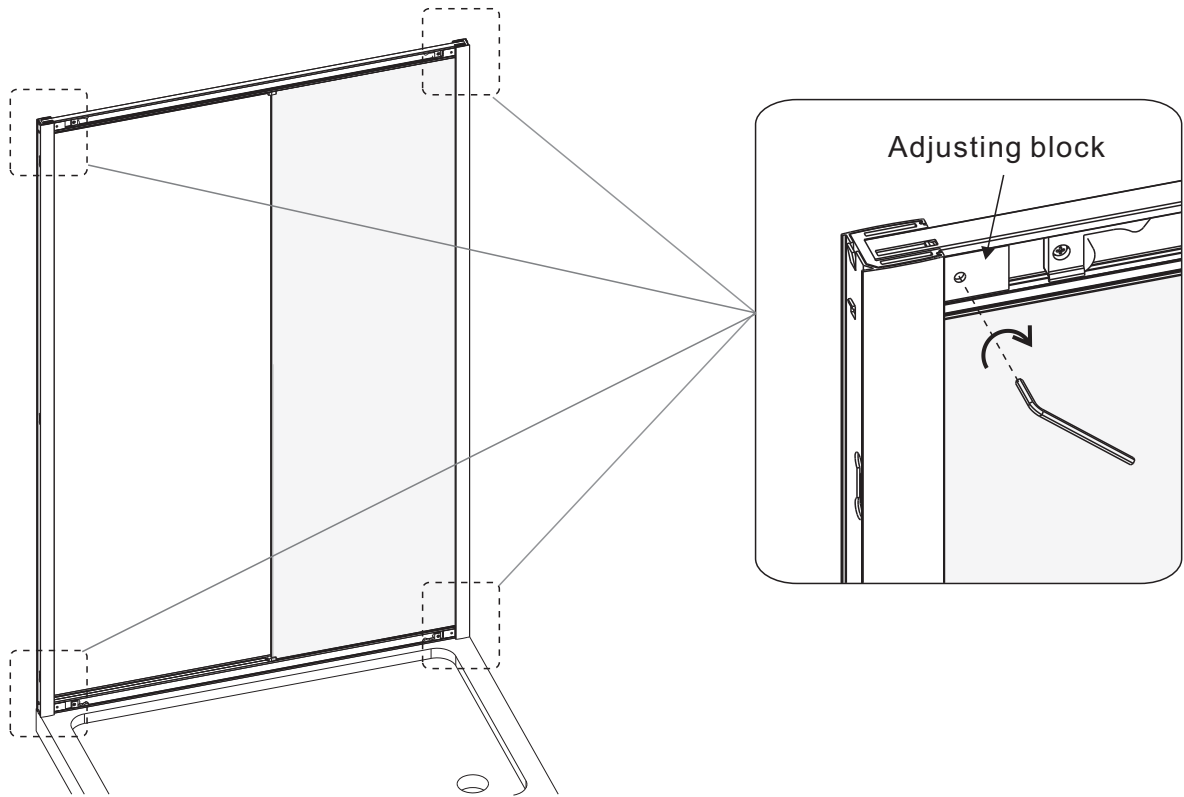
- A. Slide the clip over the fixed panel on both the top and bottom.  
 B. Starting at the bottom use the tool provided to insert the wedge gasket between the glass and the profile. Keep the flat side to the glass and the ridged side to the profile. Top Tip ! Dampen the seal with water to help slide into place  
 C. Remove the bottom PVC installation tool by releasing the side closest to the bottom first, then lift out from the frame.





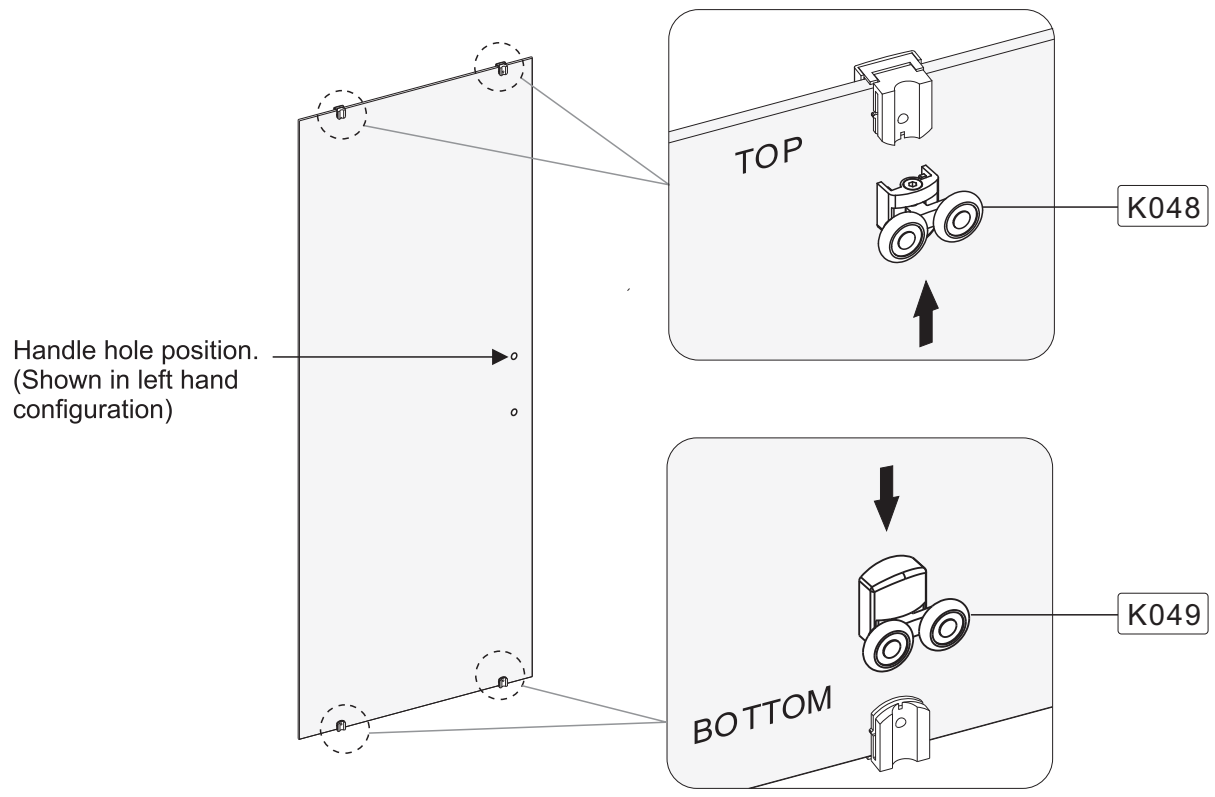
10

Tighten the grub screws until they are flush with the 'adjusting block'.

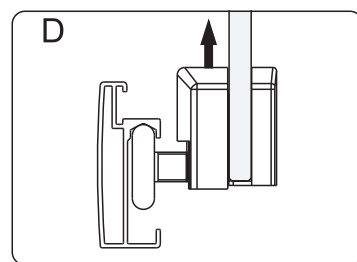
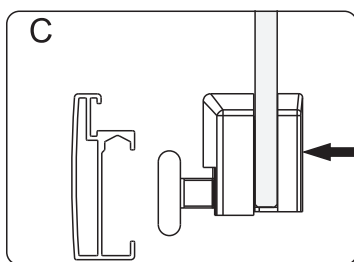
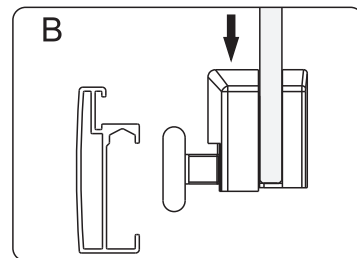
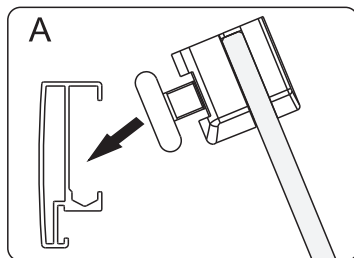
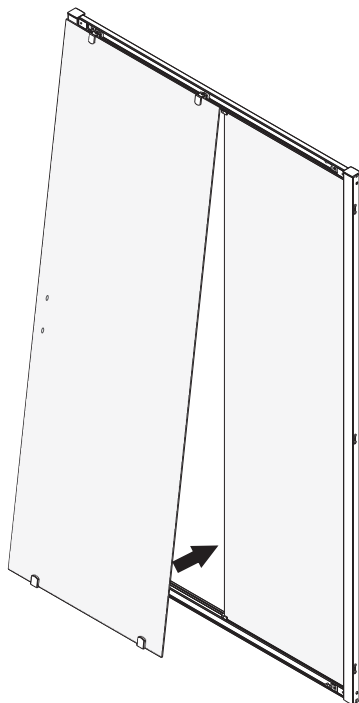


11

Orientate the door to match the product handing, shown here as left hand. Note the position of the hole for the handle. Slide the rollers labeled 'TOP' onto the top and the 'BOTTOM' onto the bottom housings.

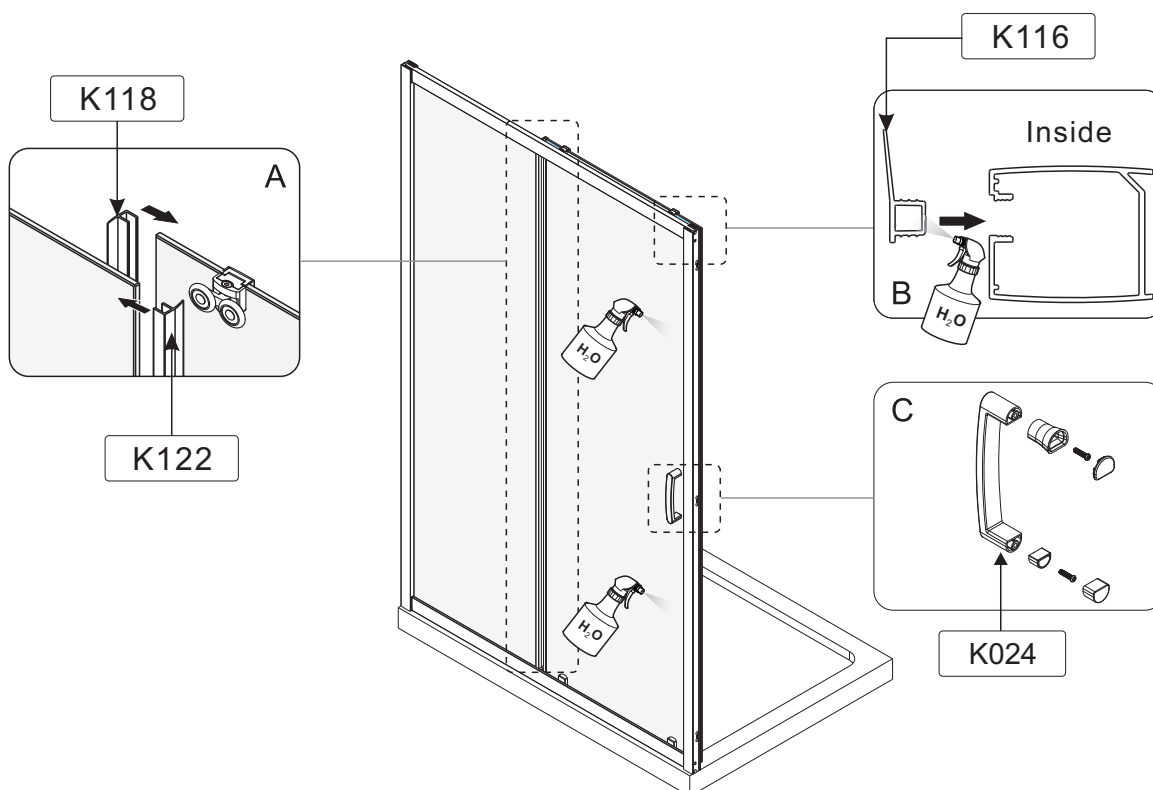


12

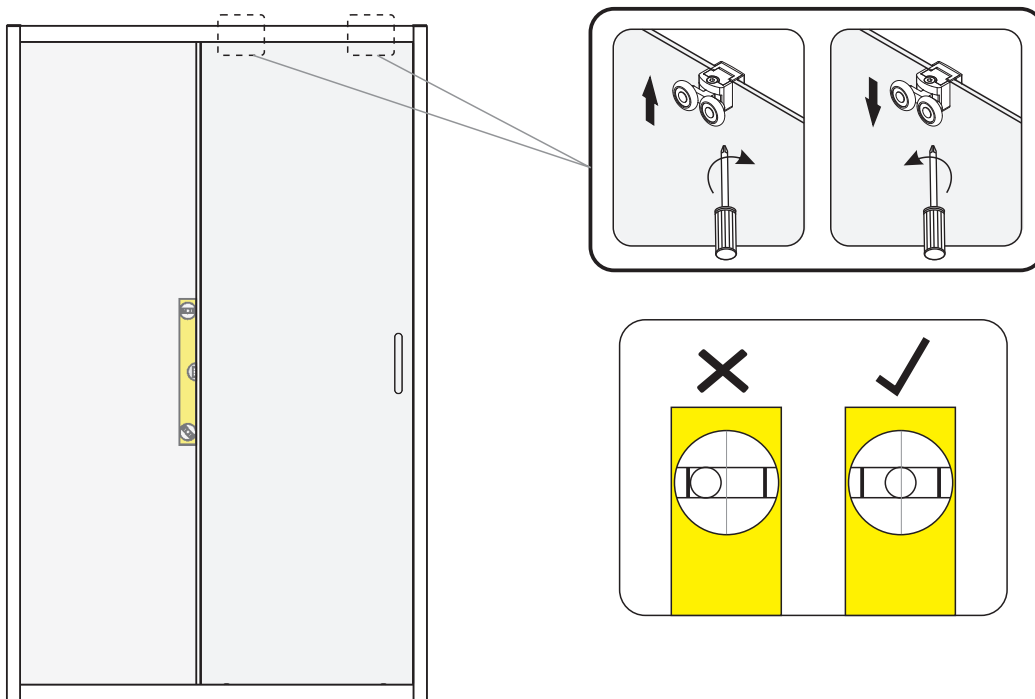


13

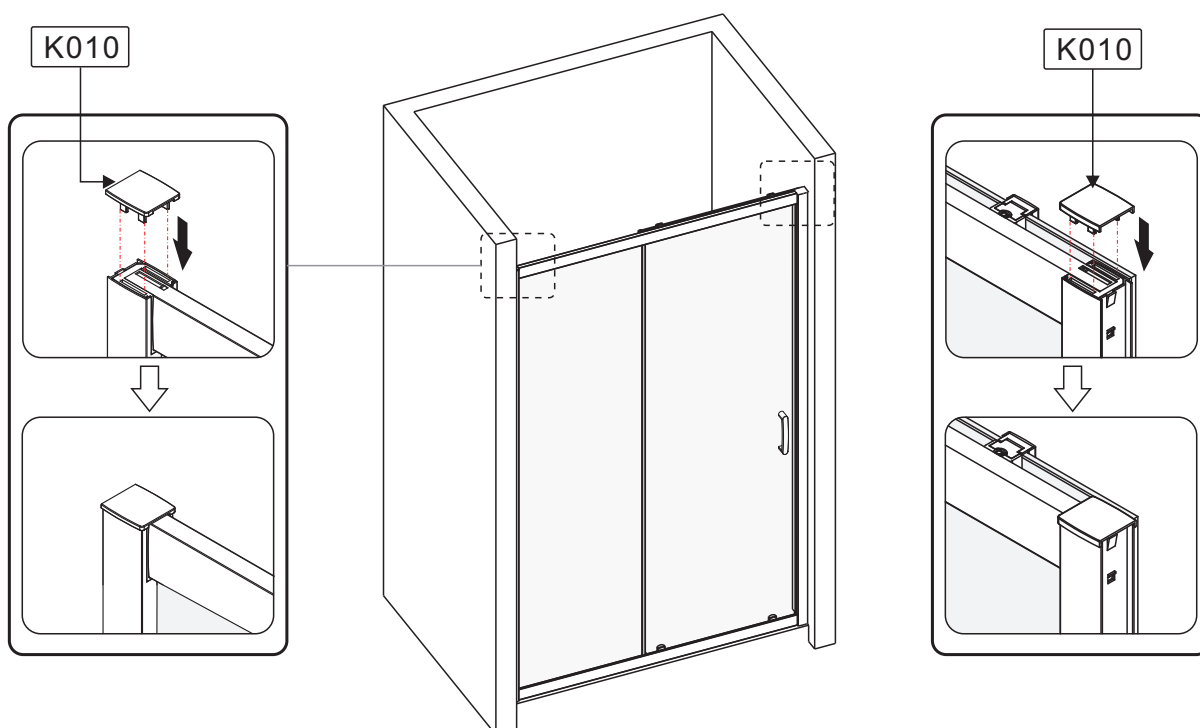
Top Tip ! To help fit the seals, first dampen with water . This is particularly useful for the closing seal B.



14 Adjust the rollers to ensure the moving panel is plumb and the overlap of both panels is parallel.



15



16

Before sealing make sure all surfaces are clean, dry and free from any residue such as grout.

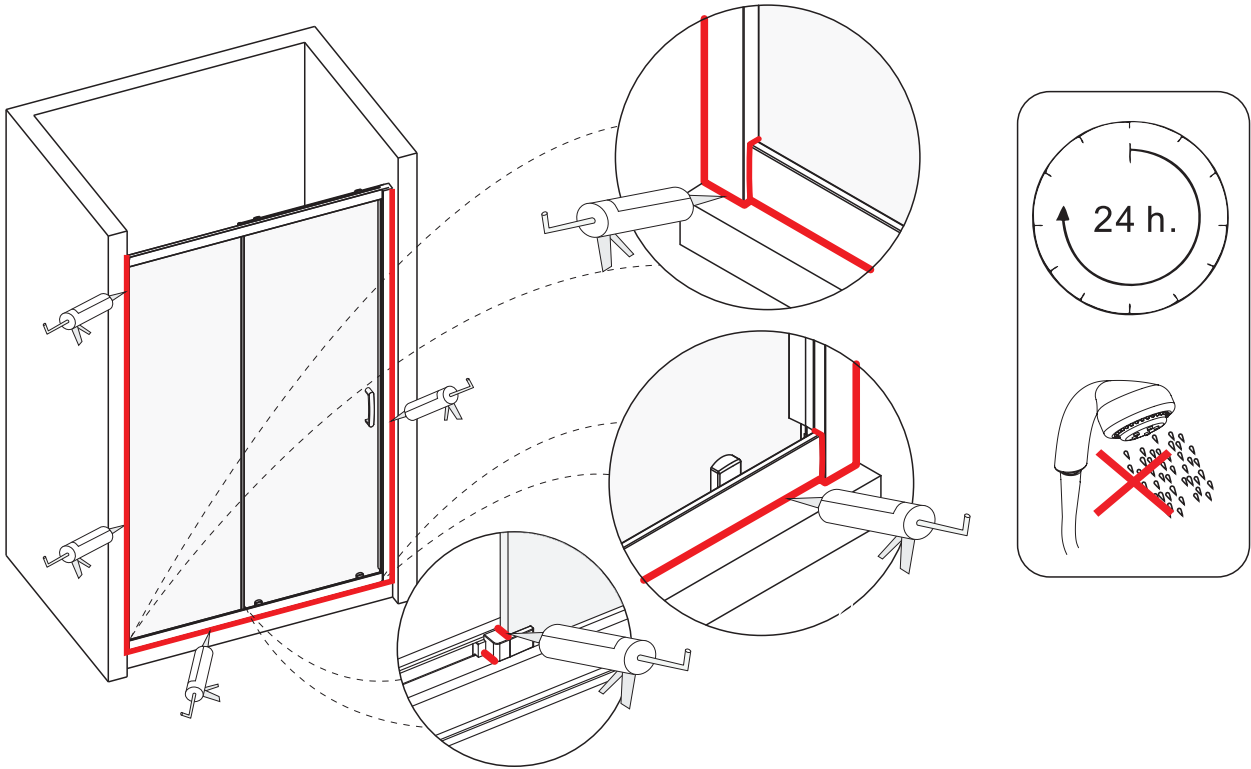
Use a quality silicone sealant and applicator gun to finish the door.

Seal between the wall and the wall profile.

Seal between the bottom of the fixed panel seal and the clip, and at the base of the clip where it sits on the frame.

Seal between the bottom profile and the tray/tile.

**DO NOT USE THE ENCLOSURE FOR 24 HOURS**



**IMPORTANT:**Please read the complete instructions before commencing fitting.

Make sure the tray is 100% level in all directions.

Check that you have the tools required.

Check the installation site is compatible with the size of door supplied.

Check all the enclosure components are present.

Check the installation kit is complete.

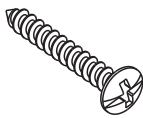
Do Not attempt to install the product unless you can tick all 4 boxes.

The wall plugs supplied with the installation kit are for use in solid walls. Hollow or 'stud partition' walls will require alternative fixings. Please consult a hardware supplier for the correct type. It may also be necessary to consult your tiling supplier about the correct method for drilling your tiles.

**ATTENTION: TAKE EXTREME CARE WHEN HANDLING GLASS, WEAR PROTECTIVE EYEWEAR AND CLOTHING. DO NOT LEAVE THE GLASS ON HARD SURFACES AND AVOID CONTACT BETWEEN THE GLASS EDGES AND HARD SURFACES OR IMPACTS DURING THE INSTALLATION.**

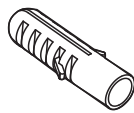
### Fixing kit components

Wall screw



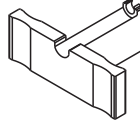
2SY51x3

Wall plug



2SP12x3

Installation tool



K023 x1

Cover cap of corner post for slider



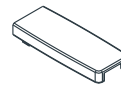
K013/K014

Cover cap corner post



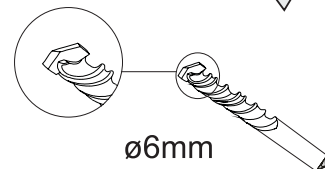
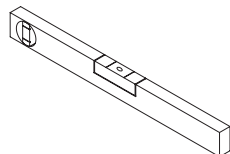
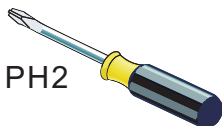
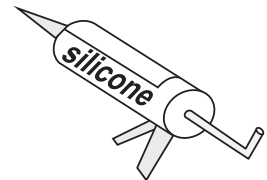
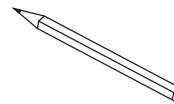
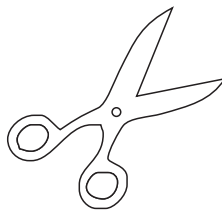
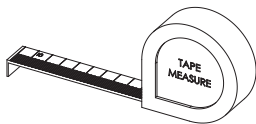
K016/K017

Cover cap of side panel wall profile

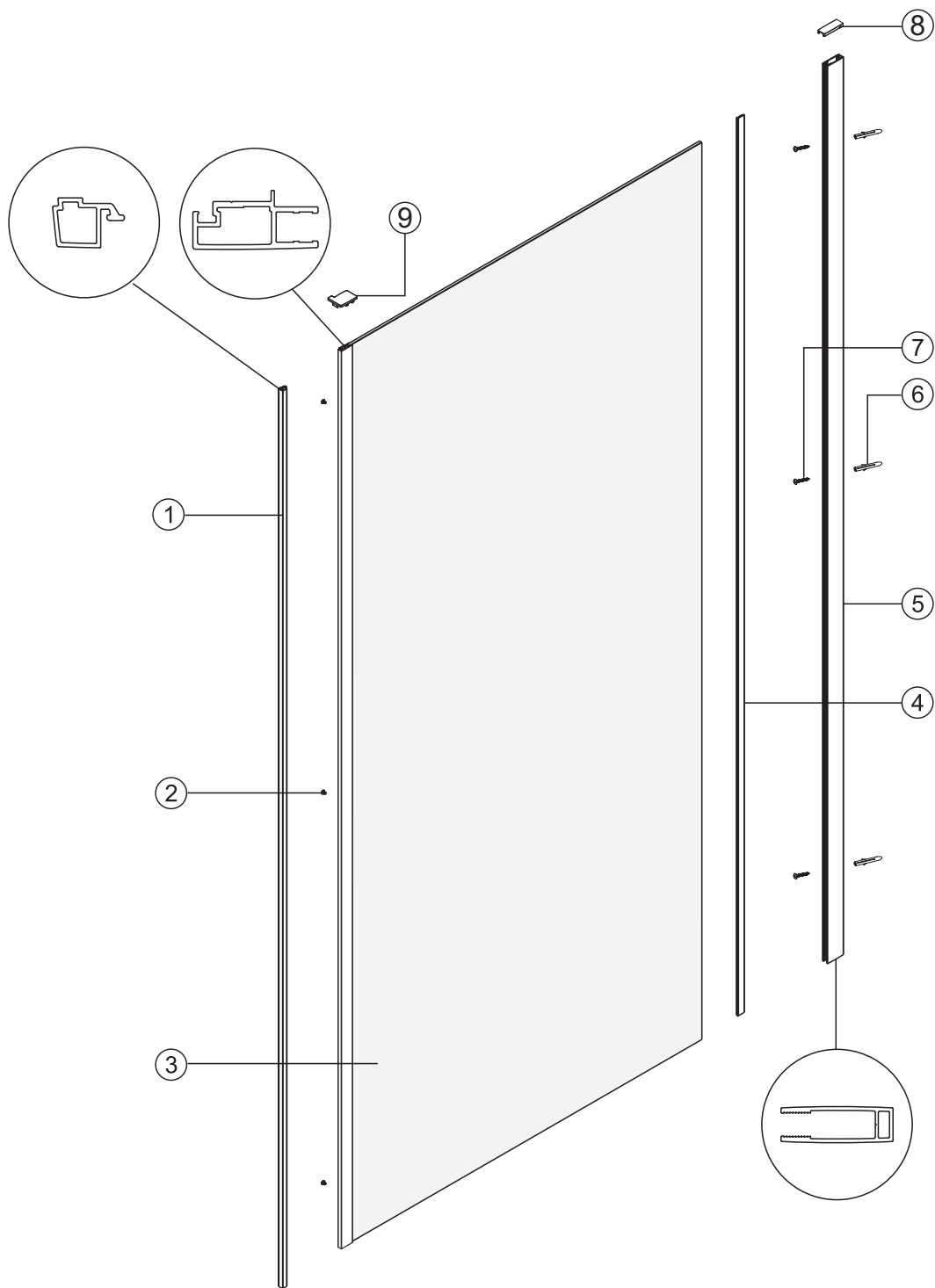


K015x1

### Tools required



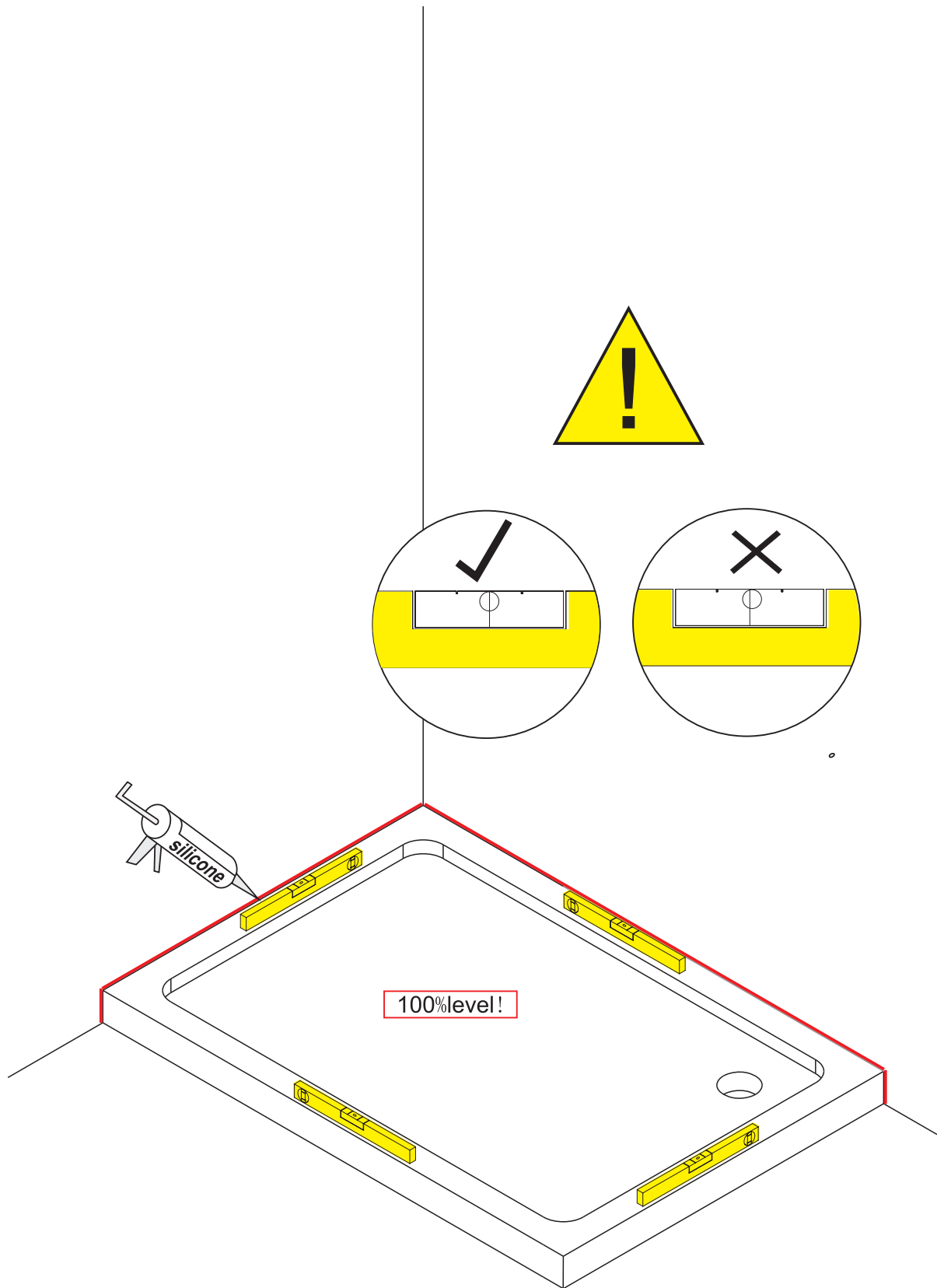
ø6mm



No.	Qty	Code
1	1	K079
2	3	K183
3	1	A
4	1	K165
5	1	K077
6	1	2SP12
7	3	2SY51
8	1	K015
9	1	K013/K014

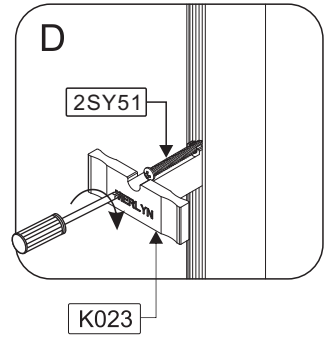
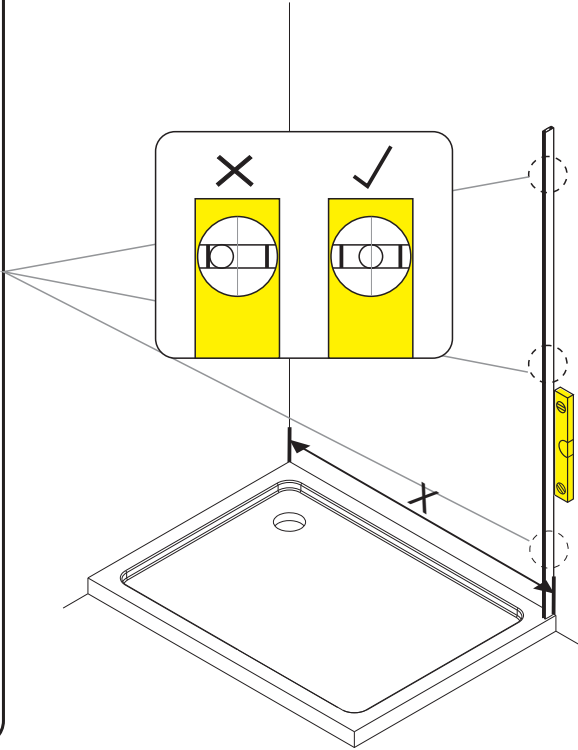
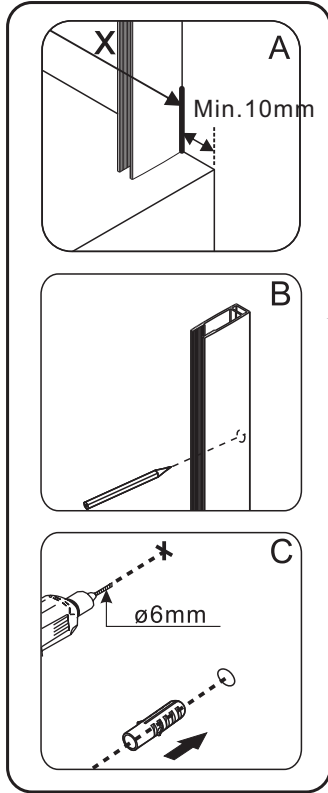
1

Please ensure your tray is 100% level in all directions before fitting your enclosure.



2

A. Mark a line to set the outside position of the wall profile. 10mm from the edge of the tray is recommended and must be within the adjustment 'X' of the door size shown in the table below.

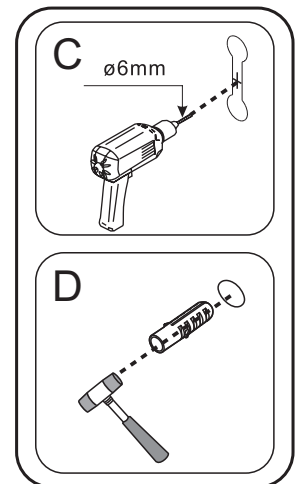
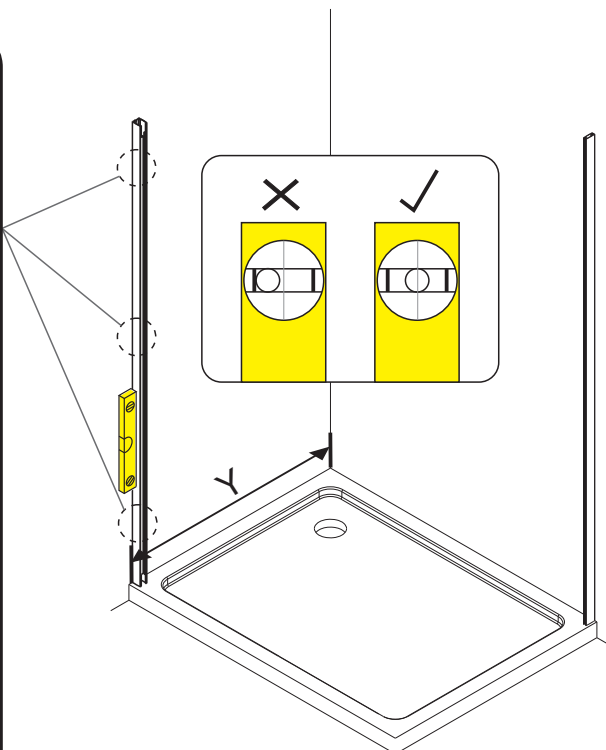
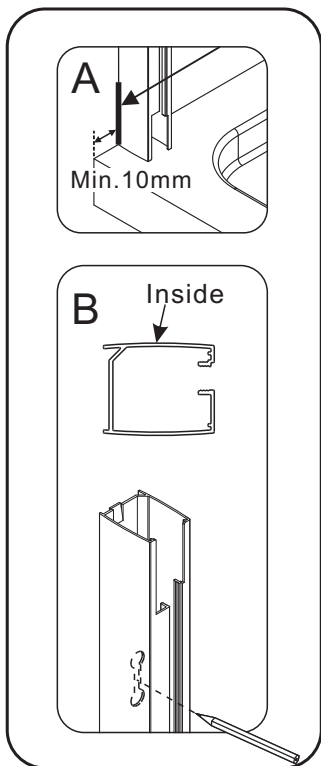


Measure X to make sure it is within the adjustment range

size	x
1000	950-990
1100	1050-1090
1200	1150-1190
1400	1350-1390
1500	1450-1490
1600	1550-1590
1700	1650-1690

3

A. Mark a line to set the outside position of the wall profile. 10mm from the edge of the tray is recommended and must be within the adjustment 'Y' of the size shown in the table below.



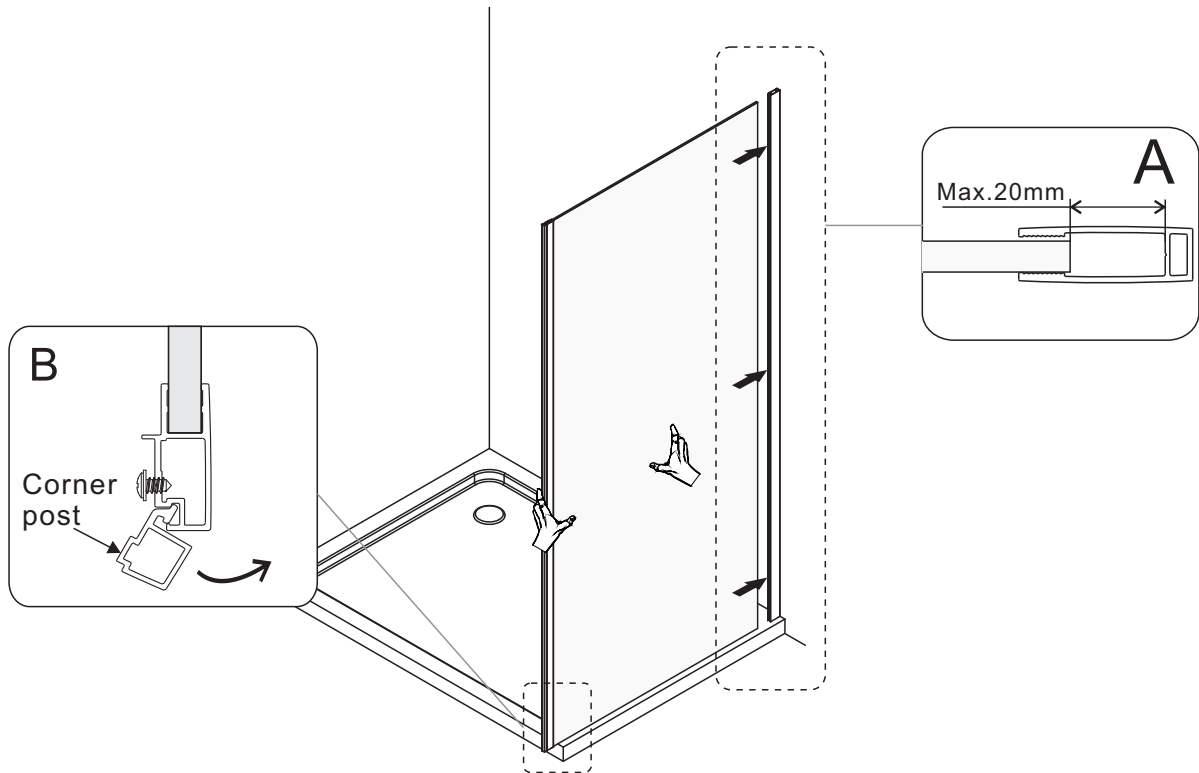
Measure Y and to make it is within the adjustment range

size	Y
700	670-690
760	730-750
800	770-790
900	870-890
1000	970-990



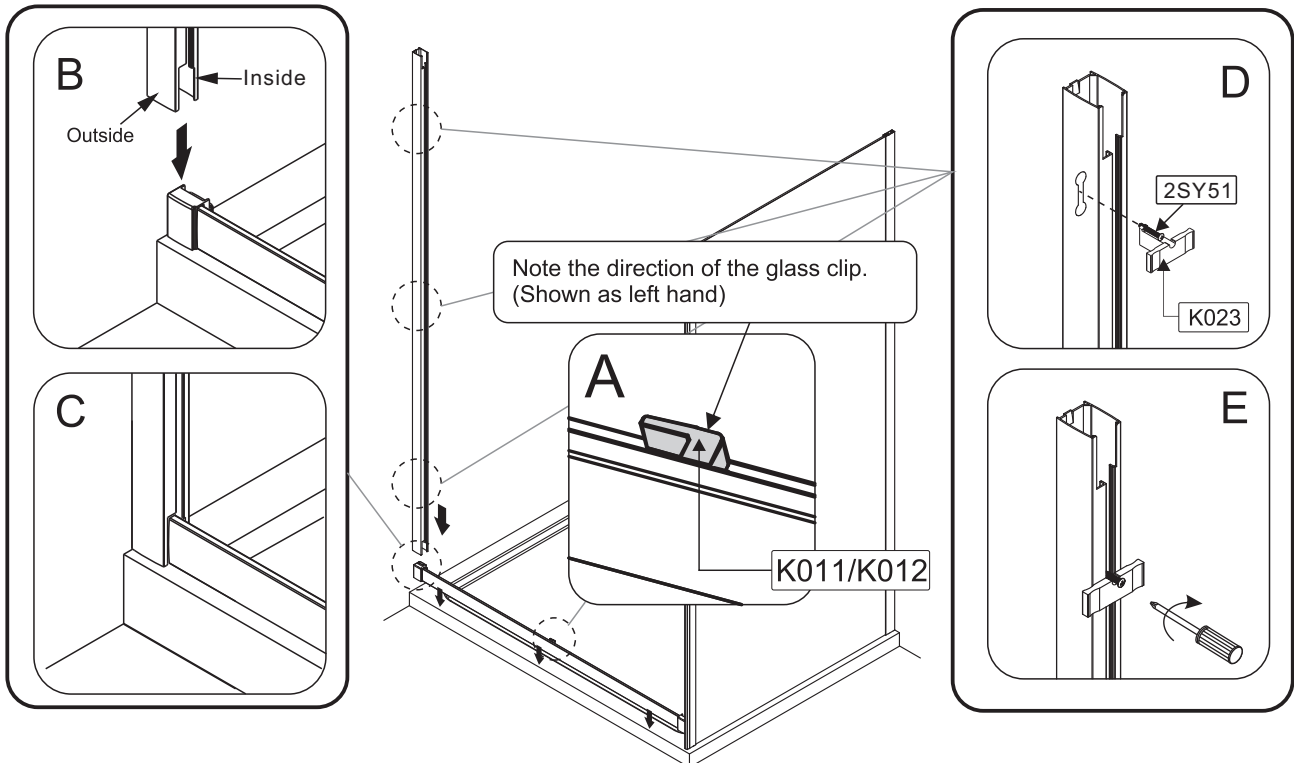
4

- A. Slide the panel into the wall profile. Max adjustment is 20mm.
- B. Make sure the screws on the edge of the frame are facing to the inside. Then fit the corner post by sliding it in at an angle and rotate into position.



5

- Build the product on the tray starting with the bottom profile.
- NOTE: Product shown in left hand configuration from this point.
- A. Note the direction of the glass clip.
- B&C. Slide the wall profile fully over the nylon bracket.
- D&E. Load the 4 x 30 screw onto the tool provided and fix the wall profile top, middle and bottom.

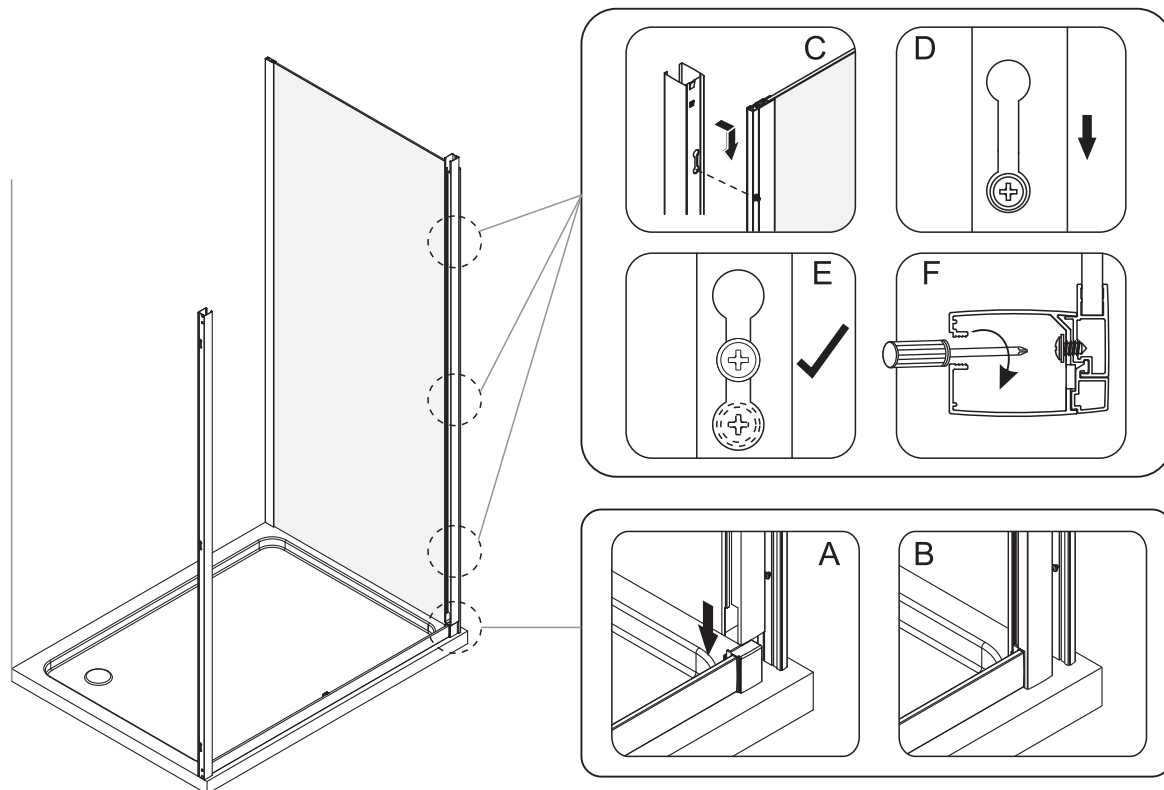


6

A&B. Slide the end of the profile fully over the nylon bracket.

C&D. Lift the door frame until the bottom holes are aligned with the screws in the side panel.

E&F. Bring the frames together then lower the door frame and tighten the 3 screws through the slot in the side of the frame.

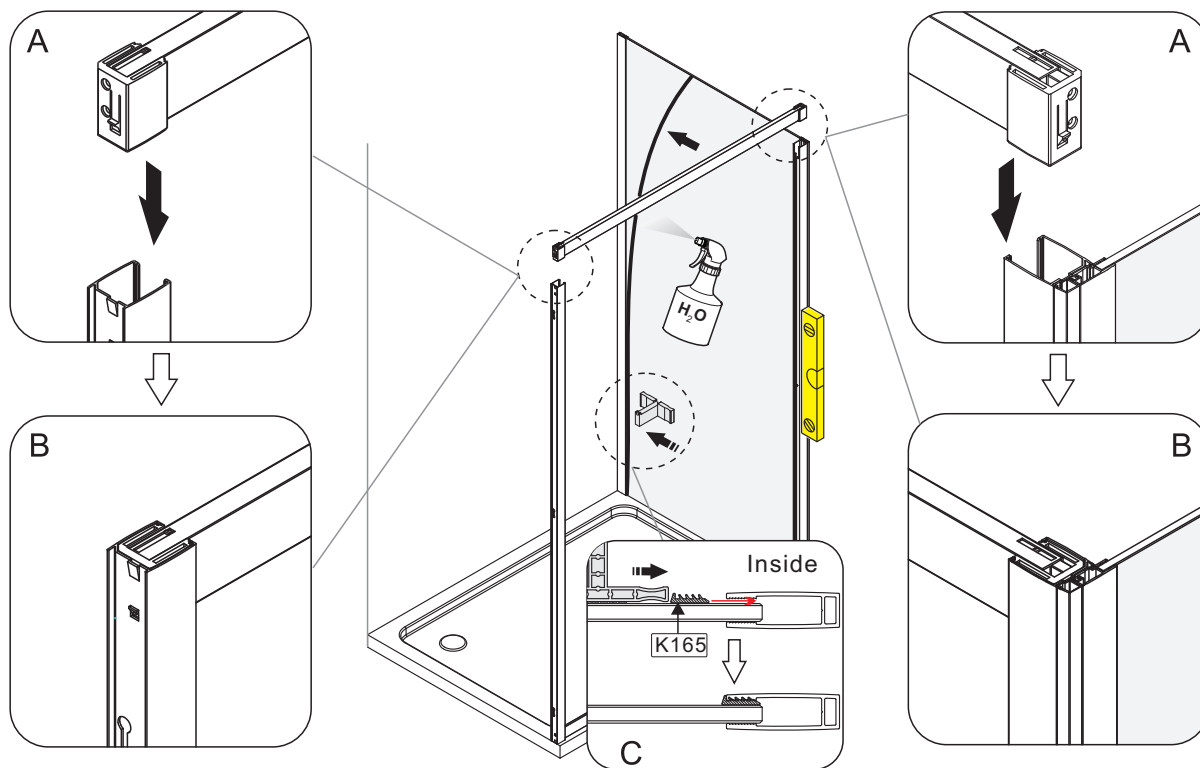


7

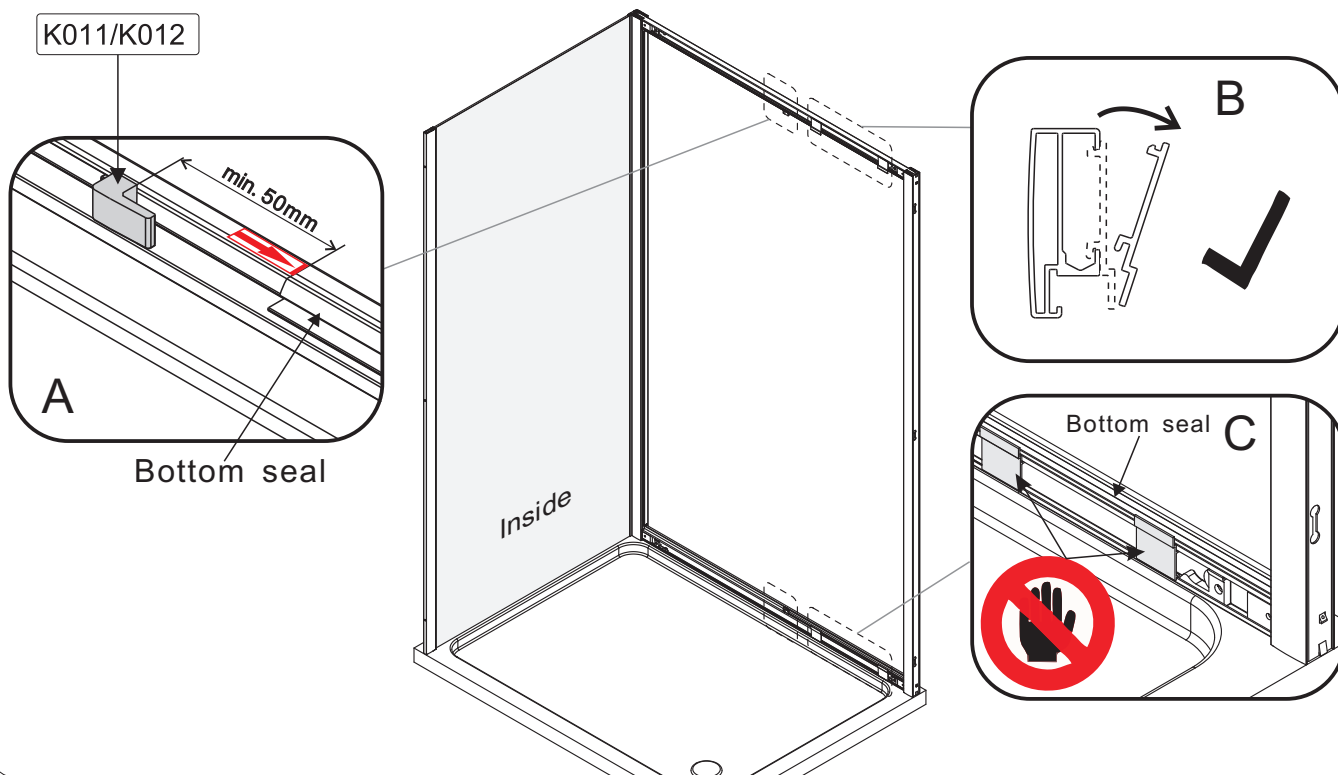
A. Slide the top frame fully into the ends of the wall profiles.

B. Check the frame is locked in place and does not slide back out of the frame.

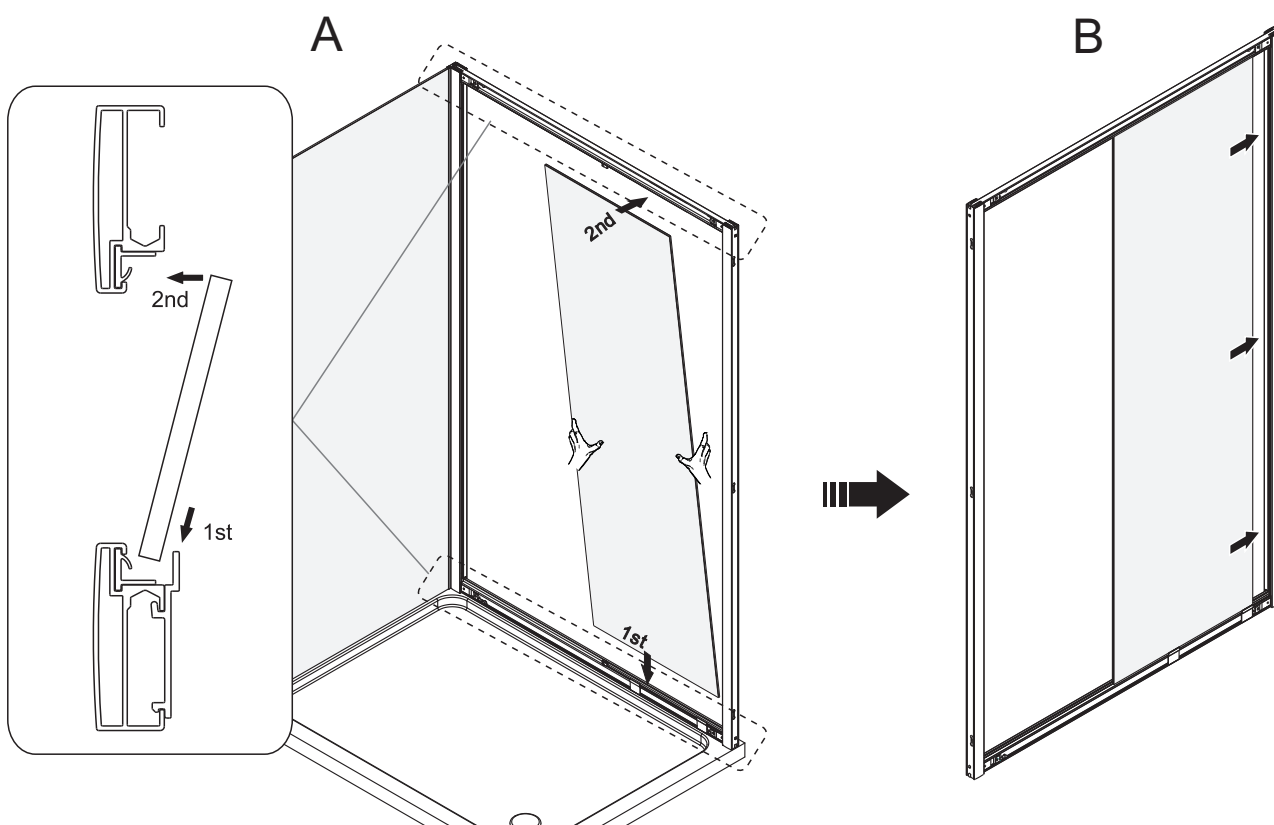
C. Starting at the bottom use the tool provided to insert the wedge gasket between the glass and the profile. Keep the flat side to the glass and the ridged side to the profile. Top Tip! Dampen the wedge seal with water to aid installation.



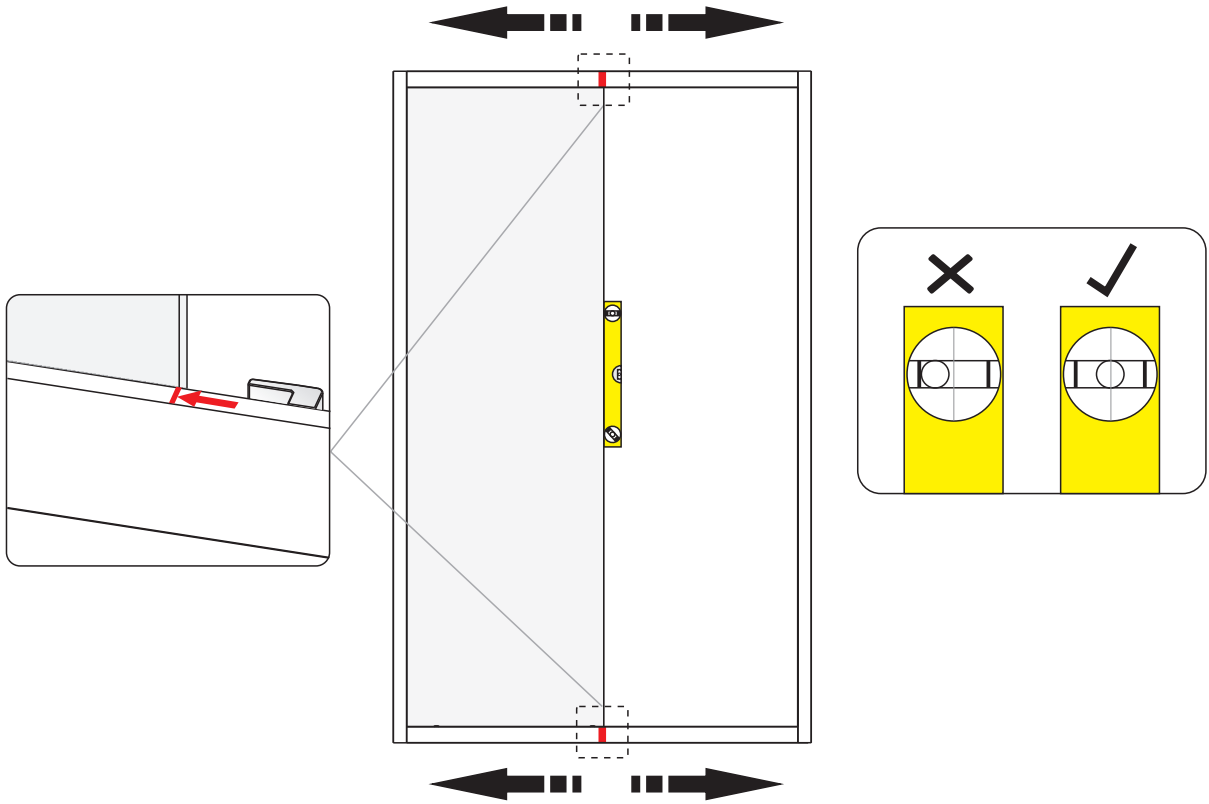
- 8
- A. Slide the clip K011/K012 away from the seal on the top and bottom of the frame.
  - B. Remove the PVC installation tool by releasing the side closest to the top first, then lift out from the frame.
  - C. Leave the bottom PVC installation tool in place to aid the fitting of the fixed glass panel. Note: make sure the installation tools are positioned at the bottom seal.



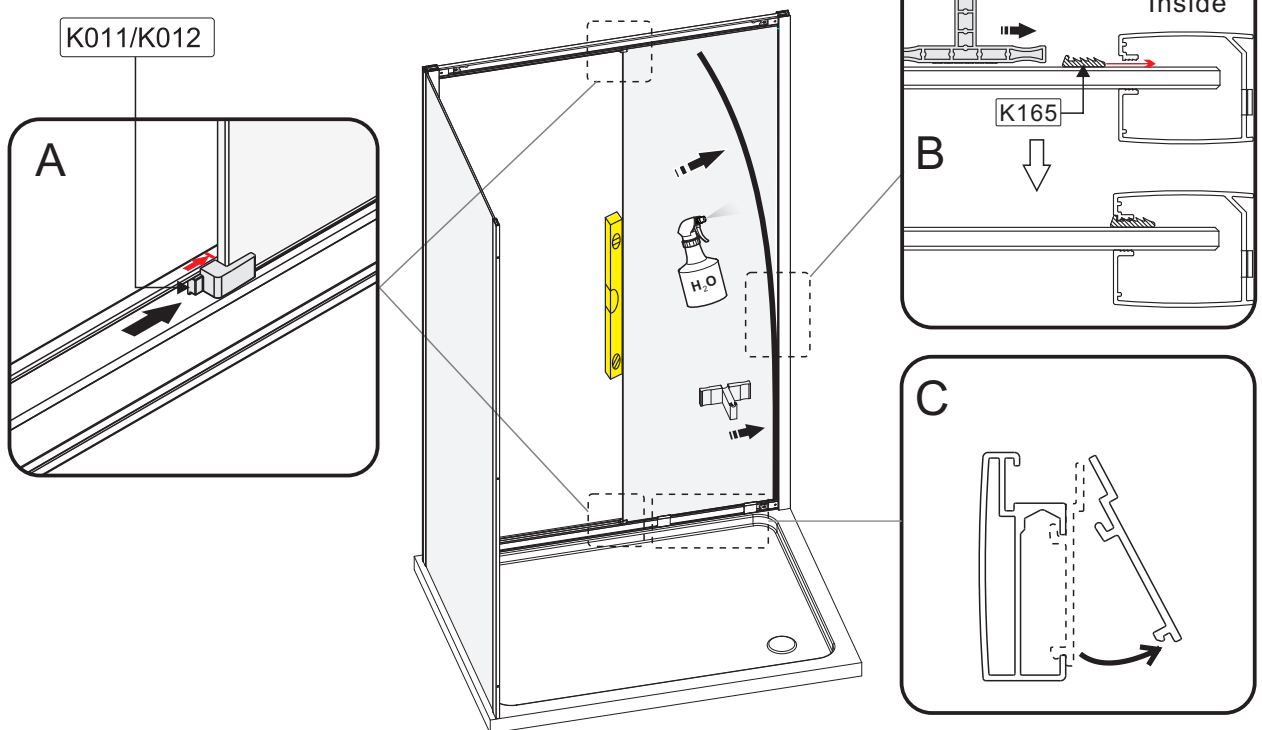
- 9
- A. Standing inside the enclosure, place the bottom of the fixed panel on the frame at a slight angle. Then lean the panel forward into the top frame.
  - B. Slide the glass panel into the wall profile.



- 10 Adjust the top and bottom profile to align glass edge with the red line on the labels while ensuring the glass is plumb.

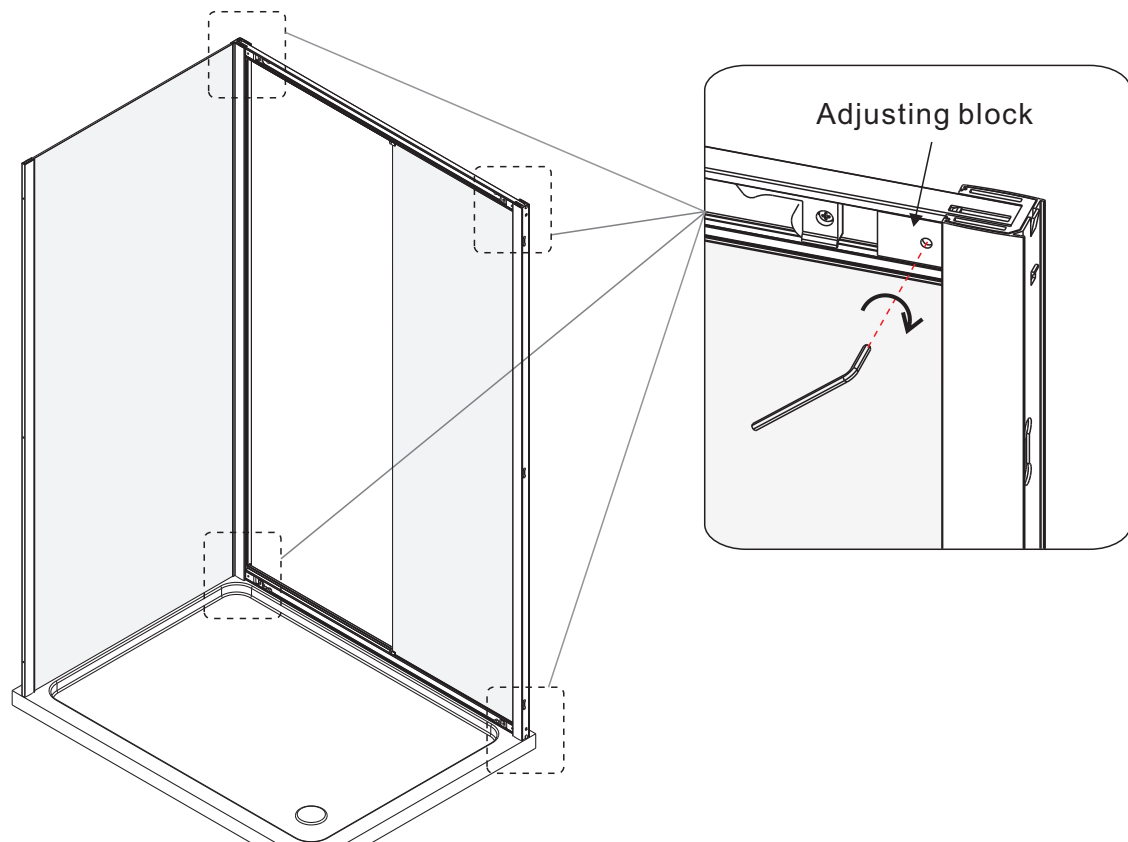


- 11 A. Slide the clip over the fixed panel on both the top and bottom.  
 B. Starting at the bottom use the tool provided to insert the wedge gasket between the glass and the profile. Keep the flat side to the glass and the ridged side to the profile. Top Tip ! Dampen the seal with water to help slide into place.  
 C. Remove the bottom PVC installation tool by releasing the side closest to the bottom first, then lift out from the frame.



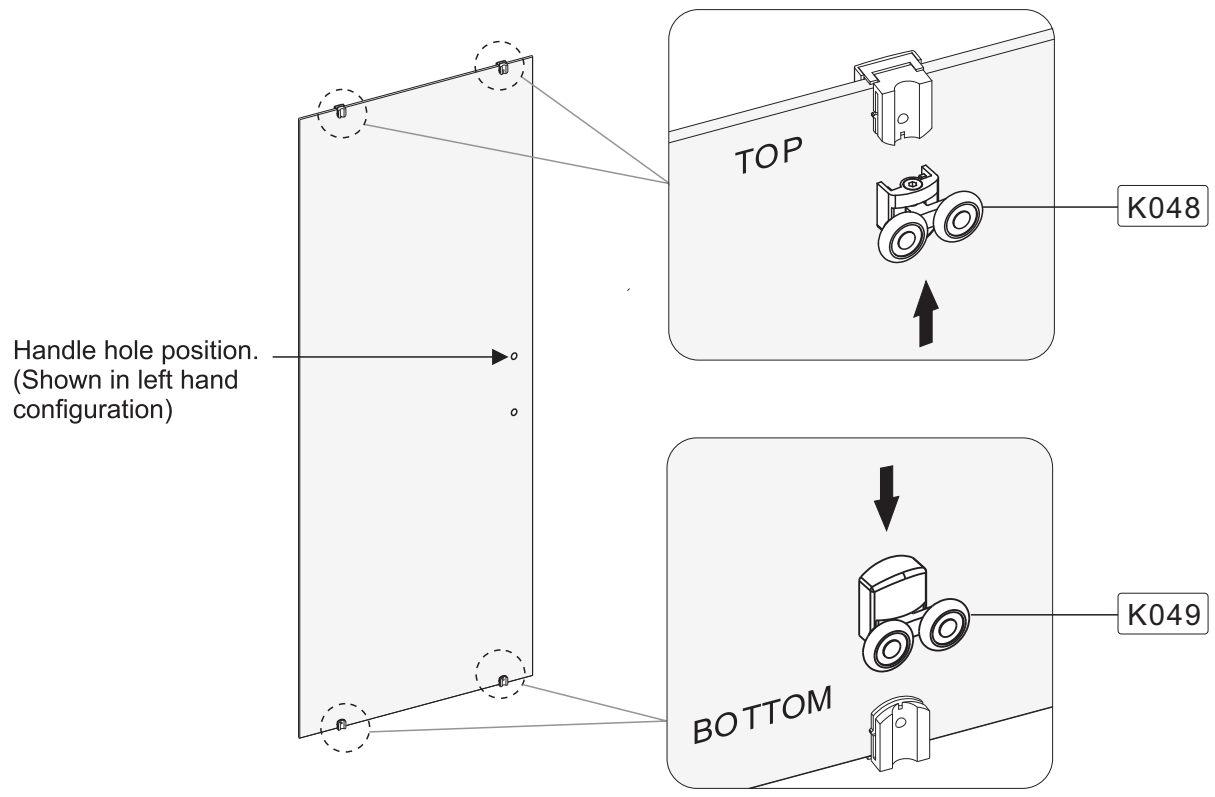
12

Tighten the grub screws until they are flush with the 'adjusting block'.

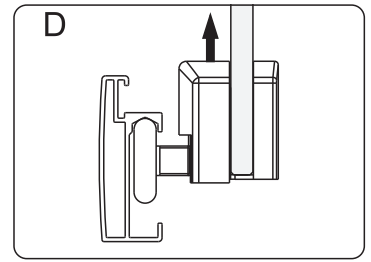
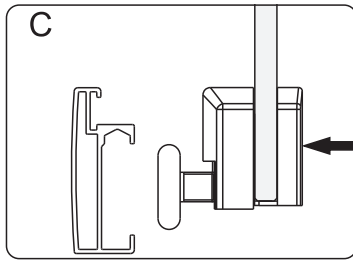
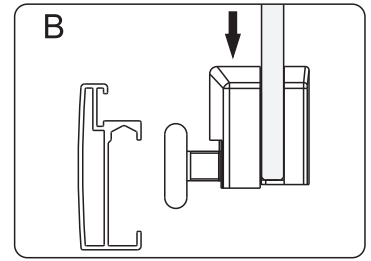
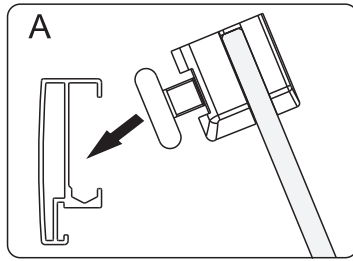
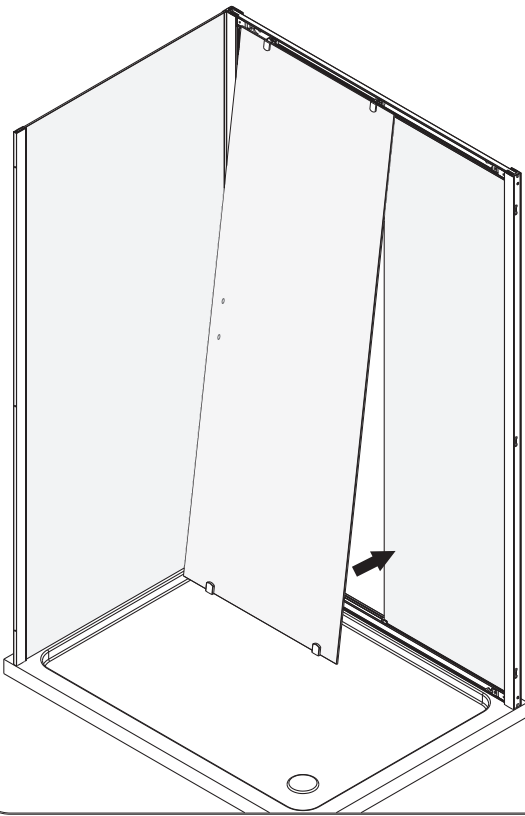


13

Orientate the door to match the product handing, shown here as left hand. Note the position of the hole for the handle. Slide the rollers labeled 'TOP' onto the top and the 'BOTTOM' onto the bottom housings.

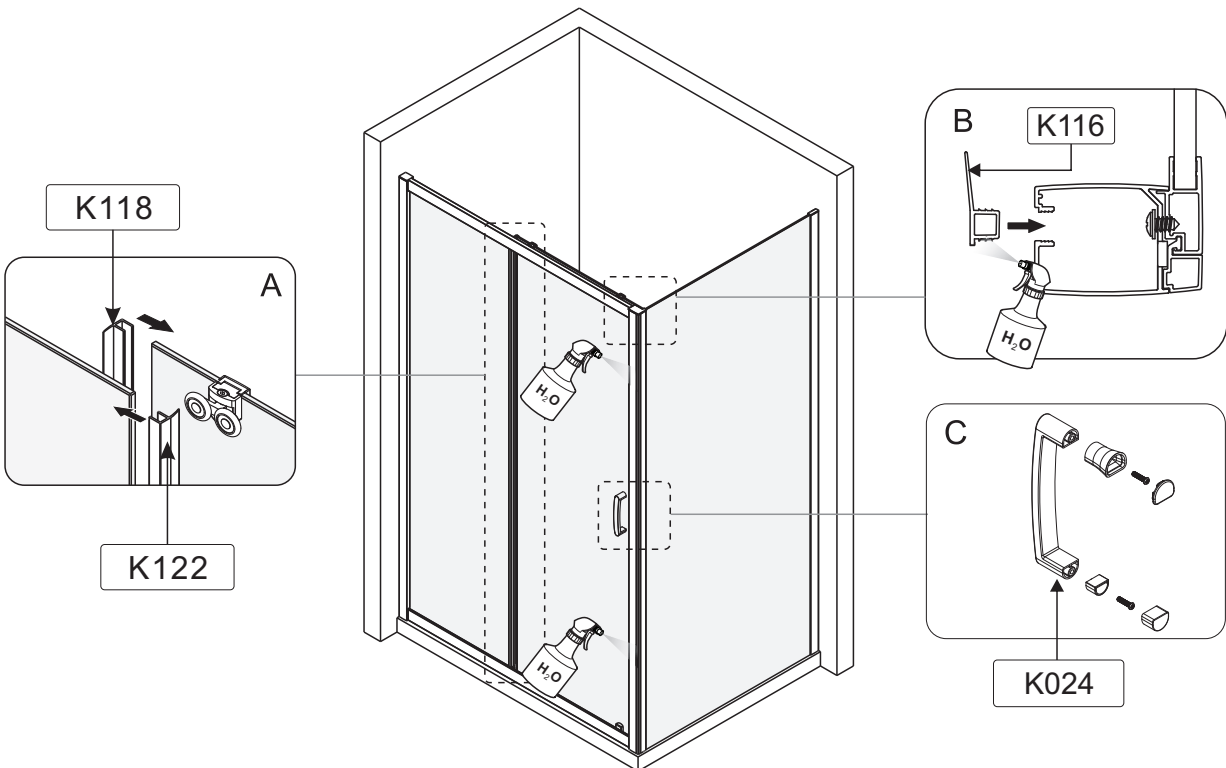


14

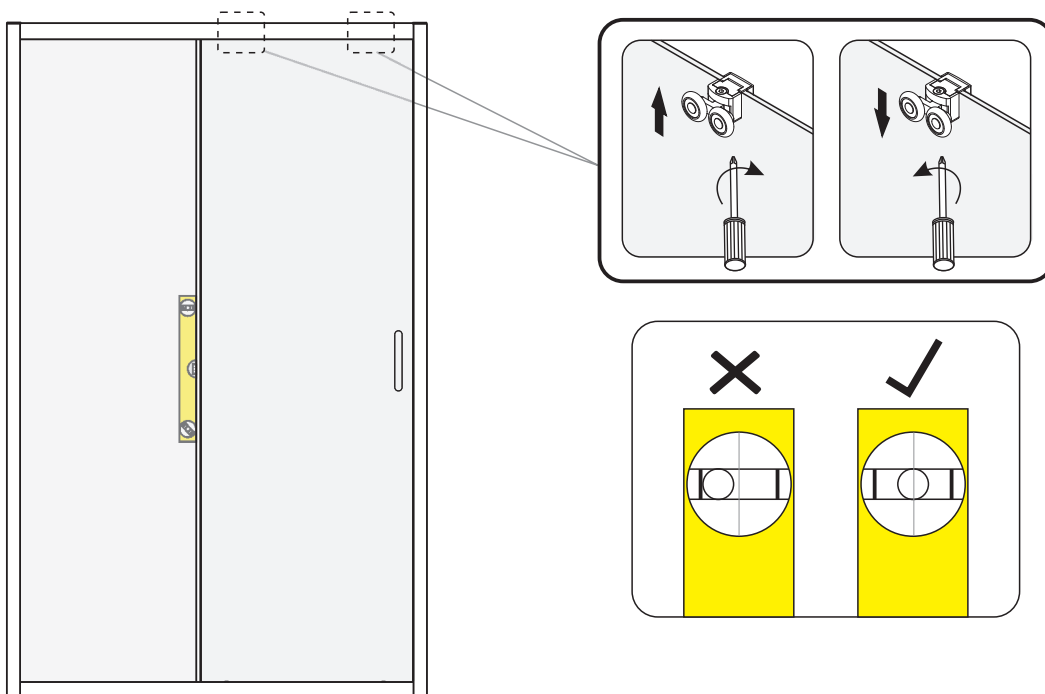


15

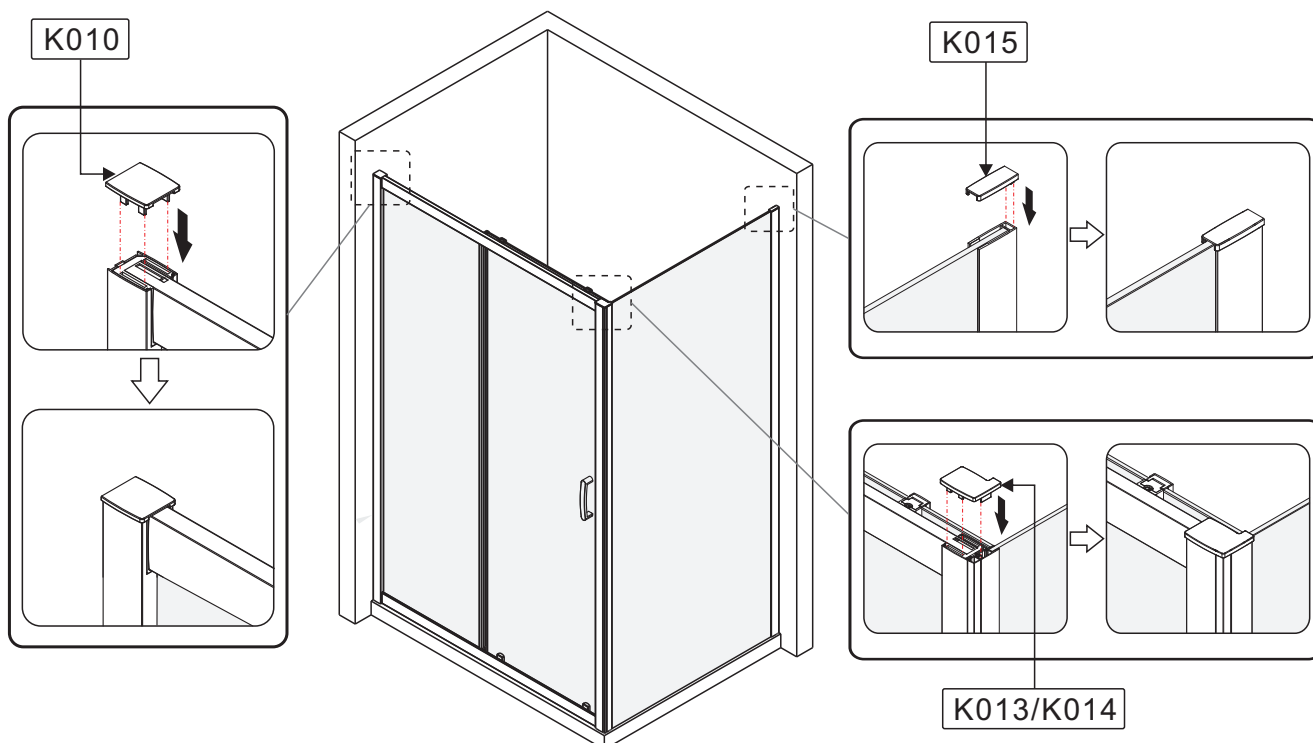
Top Tip! To help fit the seals, first dampen with water. This is particularly useful for the closing seal B.



16 Adjust the rollers to ensure the moving panel is plumb and the overlap of both panels is parallel.

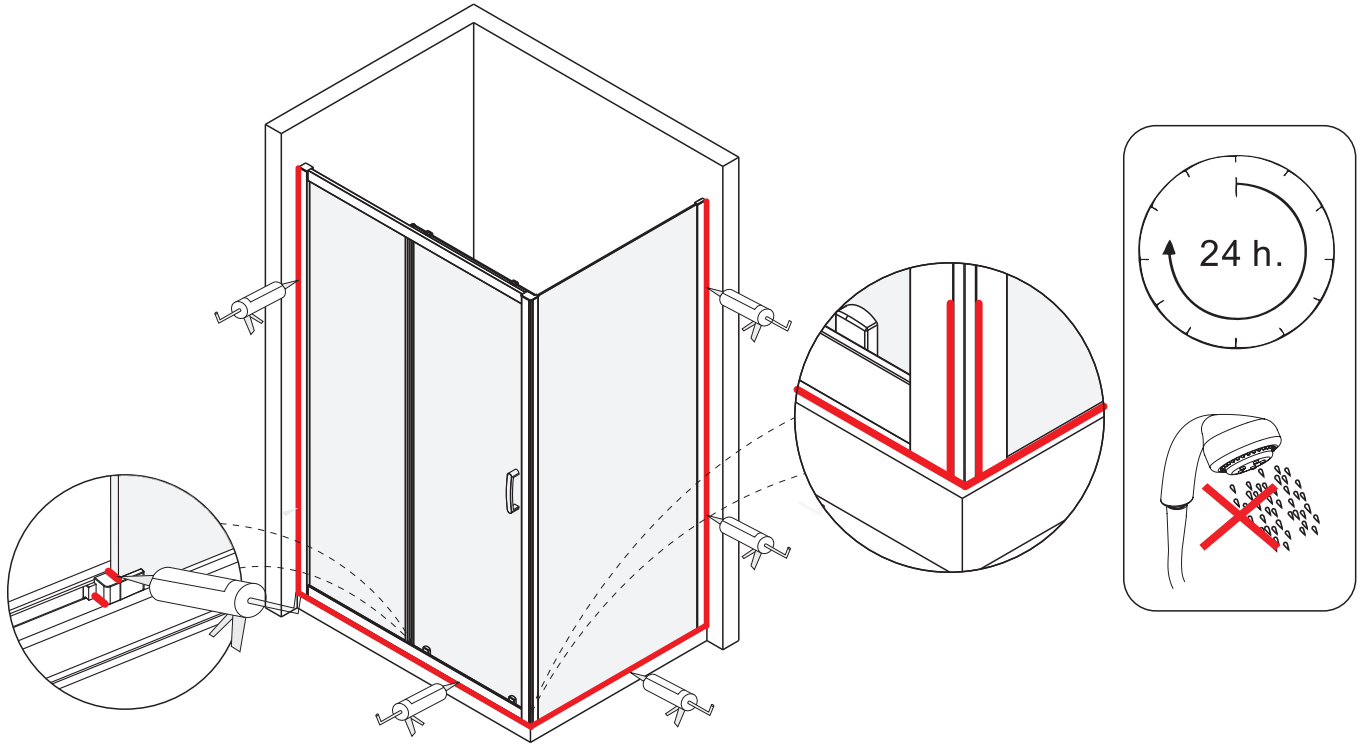


17



18

Before sealing make sure all surfaces are clean, dry and free from any residue such as grout.  
Use a quality silicone sealant and applicator gun to finish the door.  
Seal between the wall and the wall profile.  
Seal between the bottom of the fixed panel seal and the clip, and at the base of the clip where it sits on the frame.  
Seal between the bottom profile and the end side panel.  
**DO NOT USE THE ENCLOSURE FOR 24 HOURS**



Merlyn Industries LTD (MER14)	
DOP:CEKA1.1	
19	
EN 14428	
Shower enclosures with aluminium profiles and safety glass	
Cleanability	:Pass
Impact resistance/ shatter properties	:Pass
Durability	:Pass

To download the Declaration of Performance (DOP) for this product please use the link below.

<https://merlynshowering.com/aftersales-support/dop-certs/>