

HIGHGATE

HGSP14

Highgate Pressure Balance Shower Package with 5" Shower Rose, Handshower, Tub Spout and Diverter Cross Handle



SHOWN IN HIGHGATE PRESSURE BALANCE SHOWER PACKAGE WITH 5" SHOWER ROSE, HANDSHOWER, TUB SPOUT AND

TECHNICAL DETAILS

Suggested Application: Bath
Water Pressure Maximum: 85.0 psi
Water Pressure Minimum: 20.0 psi
Water Pressure Recommended: 45.0 psi

INSPIRATION

Our take on old English style: simple, functional shapes, detailed with white porcelain indices and hexagonal accents for a timeless feel.

CODES & STANDARDS

See individual component styles for Code Compliance. HGSH01, UNSH32, HGPB10, GUPB81, HGHS01, UN3PR1, GUDV65, HGVC40, HGTS81

PRODUCT FEATURES

This shower package is composed of the following product styles: HGSH01, UNSH32, HGPB10, GUPB81, HGHS01, UN3PR1, GUDV65, HGVC40, HGTS81

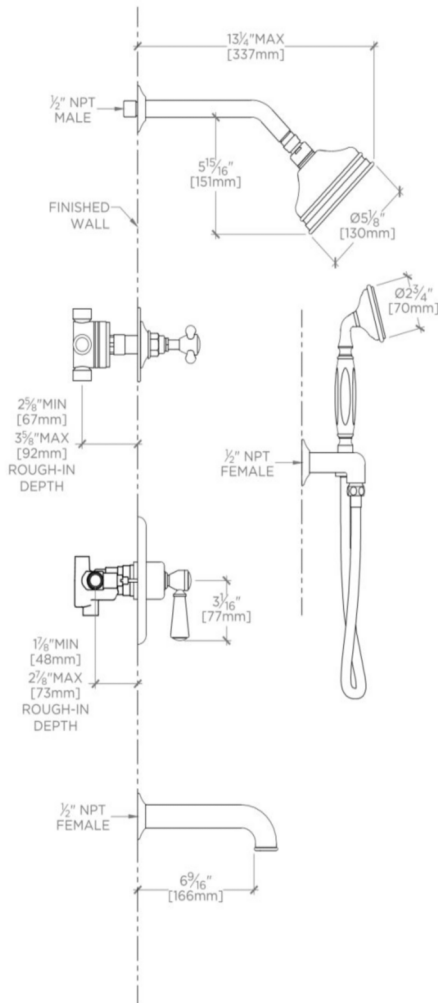


WATERWORKS

HIGHGATE

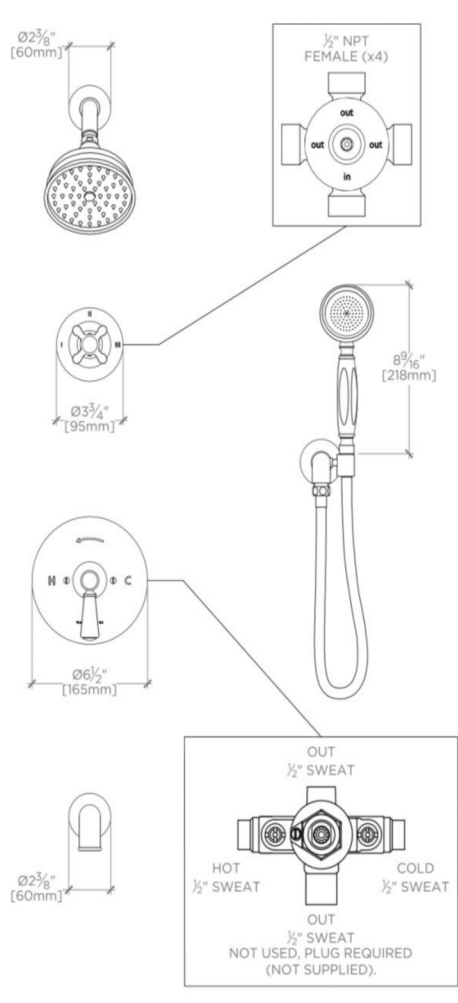
HGSP14

Highgate Pressure Balance Shower Package with 5" Shower Rose, Handshower, Tub Spout and Diverter Cross Handle



HGSP14 SIDE VIEW

THIS DRAWING IS NOT INTENDED FOR USE AS A PIPING SCHEMATIC



HGSP14 FRONT VIEW