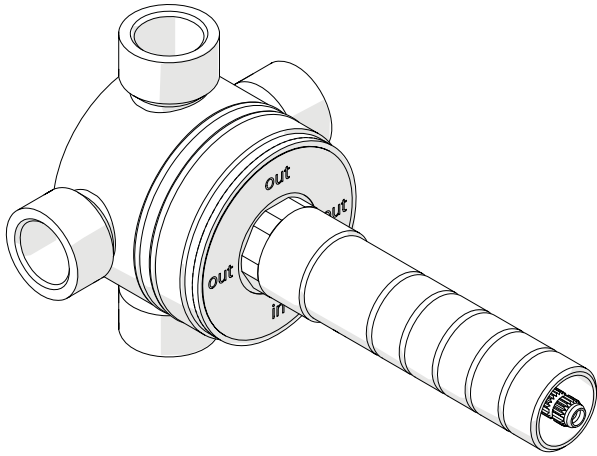


STYLE No. GUDV65†



SPECIFICATIONS:

Fittings Hole Diameter: Ø2-1/2" [64mm]*
 Inlet/Outlet Connection: 1/2" Female NPT†
 Internal Valve Material: Ceramic
 Water Pressure Minimum: 20psi [1.5bar]
 Water Pressure Maximum: 85psi [6.0bar]
 Water Pressure Recommended: 45psi [3.0bar]
 Unrestricted Max Flow Rate @ 45psi: 16.9gpm [64L/min]

* Ø2-1/2" hole is required for servicing the valve.
 † UK Style No. **GU65DV** is supplied with 4 **BSP** adapters, assembly required.

REQUIRED PLUMBING DETAILS:

Universal Three Way Pressure Balance Diverter Valve Trim
STYLE No. UN3PG1, UN3PM1, or UN3PR1
 Universal Pressure Balance Valve
STYLE No. GUPB81 or GUPB87 (with Diverter)

IMPORTANT:

- To ensure this product is installed properly, you must read and follow these guidelines.
- The owner/user of this product must keep this information for future reference.
- This product can only be used with either the Universal Pressure Balance Valve (GUPB81) or the Universal Pressure Balance with Diverter Valve (GUPB87).
- This valve requires a compatible wall valve trim and trim plate. ALL PRODUCTS SOLD SEPARATELY.
- This product, the pressure balance valve (GUPB81 or GUPB87) and the associated trims must be on-site prior to rough-in. This allows the installer to visualize the installation.
- Inspect this product to assure you have all the parts required for proper installation.
- Refer to the specification and assembly drawings attached. Product is sold partially assembled but shown fully disassembled for illustrative and service purposes only.

- This product must be installed by a professional licensed contractor. Ensure the installation conforms to all federal, state, and local codes. In the State of Massachusetts, all installations must comply with the rules and regulations set forth within 248 CMR.

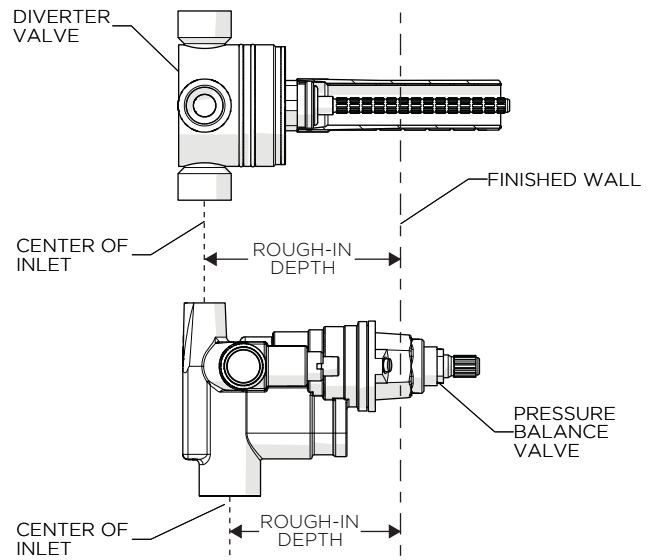
- Check incoming water pressure.

FUNCTION:

- The Universal Pressure Balance Valves (GUPB81 and GUPB87) control on/off and mix hot and cold water. Mixed water flows out at a fixed volume to the diverter valve (GUDV65) which has 3 positions/outlets to direct water flow to a maximum of 3 devices: Shower head, handshower and secondary shower head. Water **cannot** flow out of the devices simultaneously (i.e. out of the shower head and handshower together). The GUDV65 can **only** be connected to the top outlet port of the GUPB81 and GUPB87. The GUPB87 features an integrated diverter for use with a tub spout that does not have a built in diverter.

ROUGH-IN:

- Valve **rough-in depth** is measured from the centerline of the inlets to the surface of the finished wall and varies depending on the trim being used.



ROUGH-IN CHART

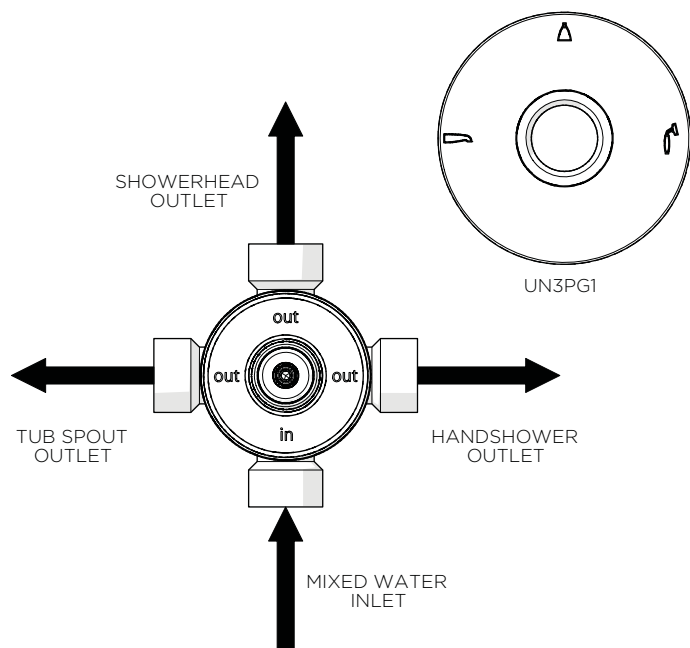
TRIM	GUPB81/87		GUDV65	
	MIN	MAX	MIN	MAX
.25, Flyte, Henry Opus, R.W. Atlas	2-3/8" [60mm]	2-7/8" [73mm]	3-1/8" [79mm]	3-5/8" [92mm]
Formwork	2-1/4" [57mm]	2-5/8" [67mm]	3" [76mm]	3-3/8" [86mm]
Ludlow	2-1/8" [54mm]	2-7/8" [73mm]	2-7/8" [73mm]	3-5/8" [92mm]
All Other	1-7/8" [48mm]	2-7/8" [73mm]	2-5/8" [67mm]	3-5/8" [92mm]

- You **must** have the pressure balance valve (GUPB81 or GUPB87) on hand in order to install the diverter valve (GUDV65).

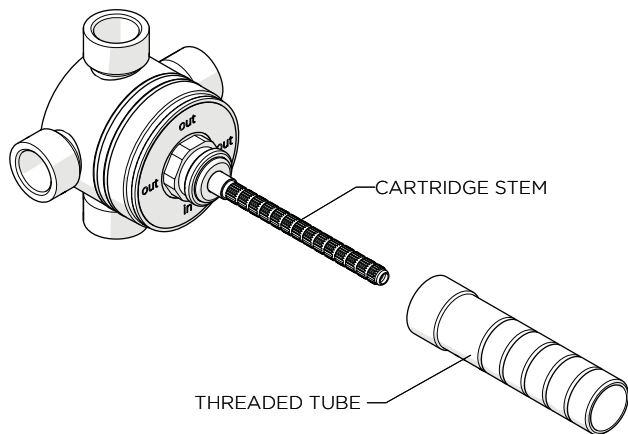
These guidelines have been prepared for the professional contractor to aid in the installation of:
UNIVERSAL THREE WAY DIVERTER VALVE WITHOUT SHUTOFF FOR PRESSURE BALANCE SHOWER SYSTEMS
 (STYLE No. GUDV65, GU65DV).
 All dimensions are based on original specification and are subject to change and variation.
 Please consult your Design Associate for current specifications.

1. Make sure the diverter valve is positioned according to the valve markings with the inlet port situated so that mixed water flows into the inlet.
2. Rough-in the diverter valve to an appropriate depth based on the trim being used and plumb to the desired devices.

NOTE: When the valve (GUDV65) is paired with the Universal Three Way Diverter Valve Trim with Graphics (UN3PG1), it is crucial that the outlet ports are plumbed to specific devices: handshower, shower head, and tub spout. Reference the image below.

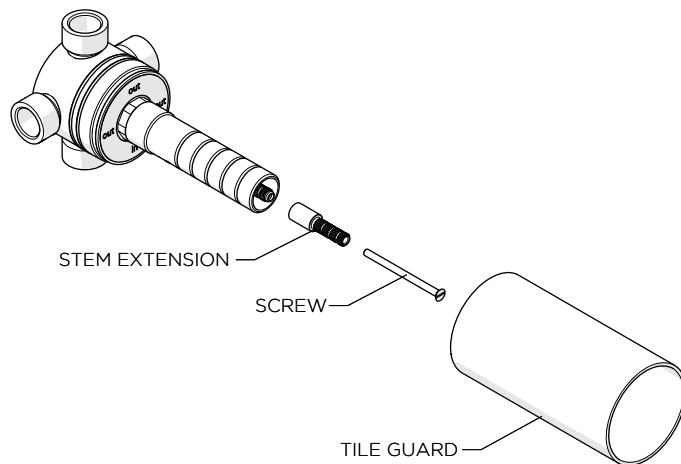


3. The cartridge stem and threaded tube on the diverter valve can be cut to various lengths depending on the style of trim. **Refer to the Installation Guidelines of individual trims for cutting dimensions and related information.**



4. After the rough-in is completed, turn on the hot and cold supplies then check for leaks. Allow the water to run so the lines can be flushed completely.

5. Verify all the valves are functioning properly.
6. Attach the stem extension to the cartridge stem with the screw then install the tile guard.



- If further assistance is required, please contact Product Support at 1-800-927-2120 (8am-6pm EST).
- Refer to the separate Service Parts Document for available replacement parts.
- The BSP adapter can be ordered separately:
 - Universal 1/2" Male NPT x 1/2" Female BSP Adapter **STYLE No. UNUK02**