

# COMBINATION PAPER ROLL/WASTE WP5455



448 x 1348 x 220 mm

Sensor paper roll dispenser mains-operated, 48 l waste bin

- Combination consisting of a sensor paper roll dispenser (mains-operated) and a waste bin in robust, germ-reducing and easy-care stainless steel (AISI 304).
- All-stainless steel housing; all corners fully welded, visible surfaces satin finished and brushed.  
Further available surfaces: see below.
- Paper roll dispenser with touch-free operated, capacitive sensor technology, sensor distance approx. 3.5 cm. Paper length and idle time adjustable.  
Mains-operated 230 V / 50 Hz; power rating 7 Watt; mains cable on site. TÜV/GS certification applied for.
- Designed for one paper roll with dimensions:  
Width 215 mm, outer diameter max. 200 mm, inner diameter 37-40 mm or 48-50 mm.
- Inspection slot to indicate fill level, residual roll function allows a reserve roll to be inserted before residual roll is completely used up.
- Waste bin equipped with removable mesh basket.  
Capacity approx. 48 l.
- Accessible through lockable doors.
- Keyed alike cylinder locks in corrosion-resistant zinc die-casting.
- Wear parts can be replaced as modules.
- Mounting: With six screws through key holes and one optional anti-theft hole in the back wall.
- Delivery includes fixing material and first fill with one paper roll.
- Weight, including single package: 26.1 kg

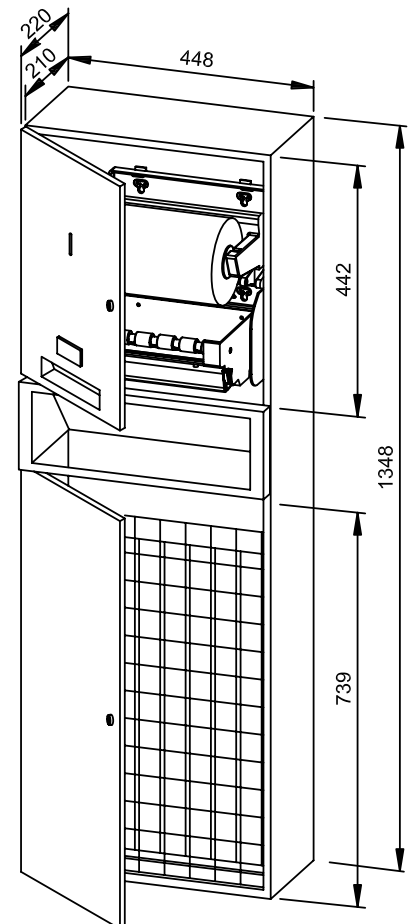


## Suggested text for specifications:

Combination consisting of a sensor paper roll dispenser (mains-operated) and a waste bin in stainless steel (AISI 304) for surface mounting. All-stainless steel housing; all corners fully welded, visible surfaces satin finished and brushed. Paper roll dispenser with touch-free operated, capacitive sensor technology. Paper length and idle time adjustable. Mains-operated 230 V / 50 Hz; power rating 7 Watt; mains cable on site. Designed for one paper roll with dimensions: Width 215 mm, outer diameter max. max. 200 mm, inner diameter 37-40 mm or 48-50 mm. Inspection slot to indicate fill level. Waste bin equipped with removable mesh basket. Capacity approx. 48 l. Accessible through lockable doors. Keyed alike cylinder locks in corrosion-resistant zinc die-casting. Delivery includes fixing material and first fill with one paper roll.

Dimensions: 448 x 1348 x 220 mm

Article No. WP5455



Available surfaces	ID No.
satin finished (standard)	722 976
highly polished	731 976
(coloured) plastic powder-coating	728 976

## Ernst Wagner GmbH & Co. KG

Ernst-Abbe-Straße 21 · D-72770 Reutlingen · Tel.: +49712151539-0 · Fax: -20  
info@wagner-ewar.de · www.wagner-ewar.de

WAGNER  
EWAR