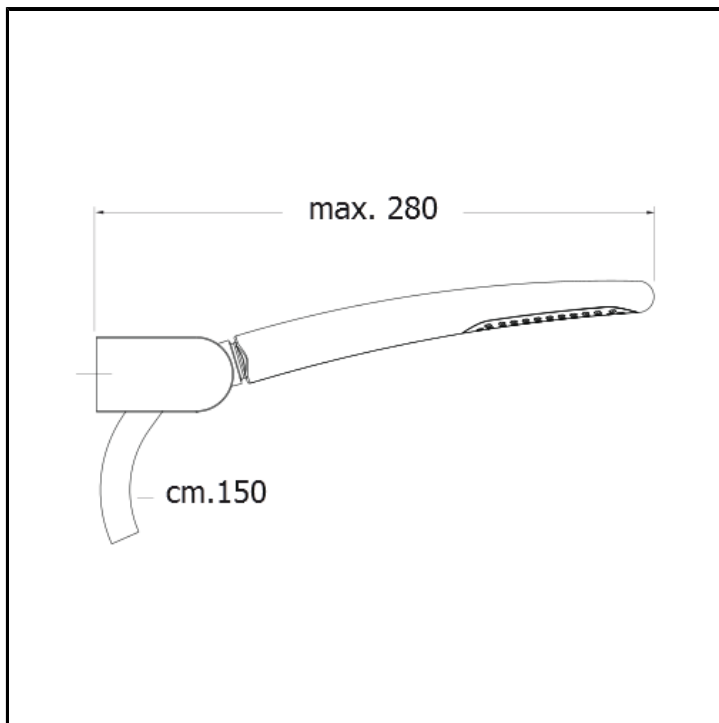


CRIPD679

Adjustable hand shower holder with anti-lime hand shower and LONG LIFE flexible hose



FINITURE

 Chrome

CHARACTERISTICS

-

FEATURES FROM TECHNOLOGIES

-

INSTALLATION

- Wall

TPOLOGY

-
-

ENVIRONMENT

- Bathroom