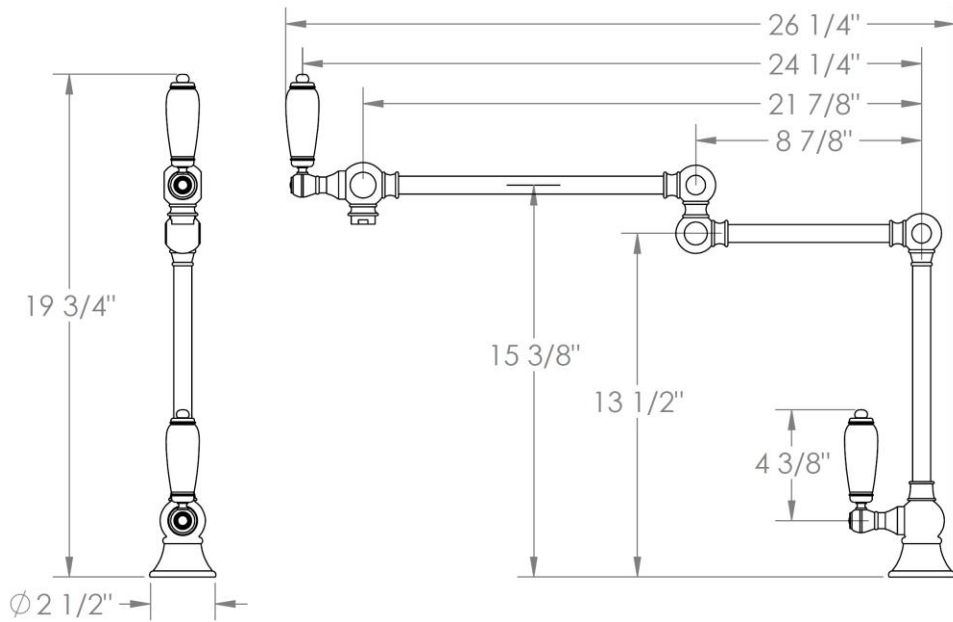


**180-7.9-
Deck Mounted Pot Filler**



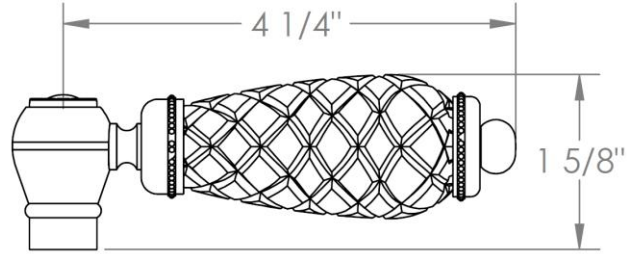
Meets the applicable requirements of ASME A112.18.1-2005/CSA B125.1-05, entitled "Plumbing Supply Fittings"

WATERMARK DESIGNS 2/5/2019

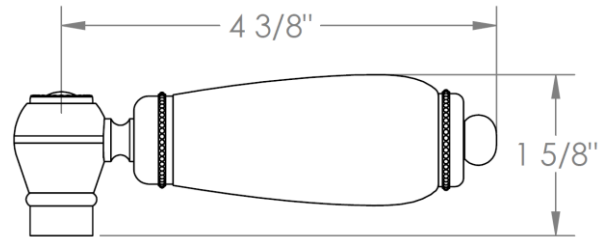
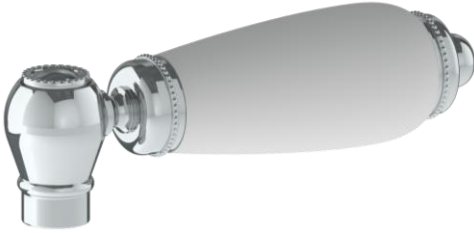
350 Dewitt Ave Brooklyn NY 11207 USA T 718 257 2800 F 718 257 2144 info@watermark-designs.com

HANDLE TRIM OPTIONS

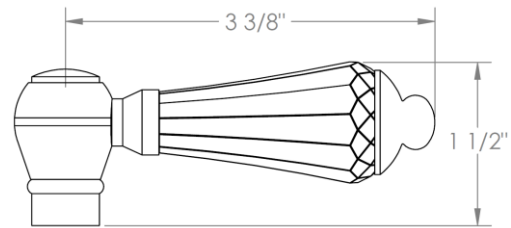
AA - VENICE
BB - GENOA



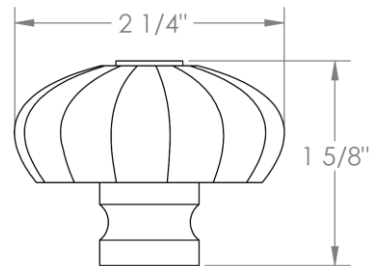
CC - POMPEI
DD - NAPLES



SWU - FLORENCE



T - TUSCANY



U - BOLOGNA

