

# WASTE BIN PP126



298 x 448 x 170 mm

Capacity approx. 23 l

- Waste bin in robust, germ-reducing and easy-care stainless steel (AISI 304).
- All-stainless steel housing with rounded vertical corners. Visible surfaces satin finished and brushed. Further available surfaces: see below.
- Equipped with removable fabric stand bag in polypropylene, washable. Capacity approx. 23 l.
- Fabric stand bag replaces garbage bag.
- Mounting: With two screws through key holes and one optional anti-theft hole in the back wall.
- Delivery includes fixing material.
- Weight, including single package: 3.4 kg

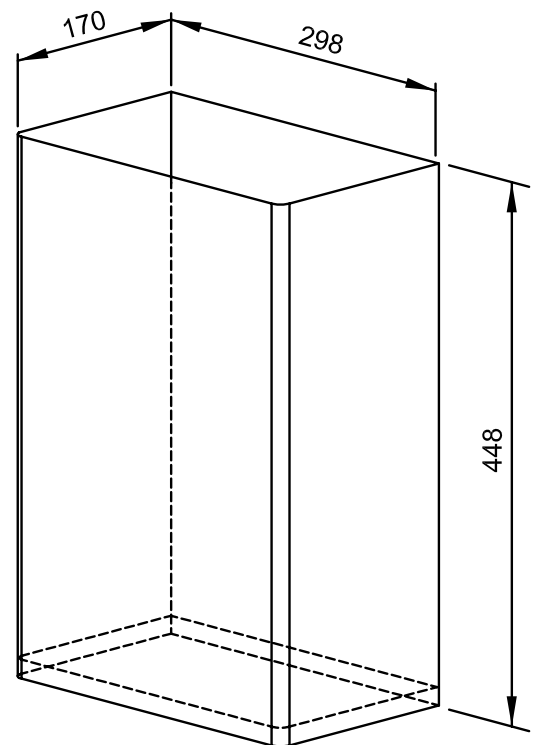


## Suggested text for specifications:

Waste bin in stainless steel (AISI 304) for surface mounting. All-stainless steel housing with rounded vertical corners. Visible surfaces satin finished and brushed. Equipped with removable fabric stand bag in polypropylene, washable. Capacity approx. 23 l. Delivery includes fixing material.

Dimensions: 298 x 448 x 170 mm

Article No. PP126



Available surfaces	ID No.
satin finished (standard)	727 815
highly polished	731 815
(coloured) plastic powder-coating	728 815

## Ernst Wagner GmbH & Co. KG

Ernst-Abbe-Straße 21 · D-72770 Reutlingen · Tel.: +49712151539-0 · Fax: -20  
info@wagner-ewar.de · www.wagner-ewar.de

WAGNER  
EWAR